



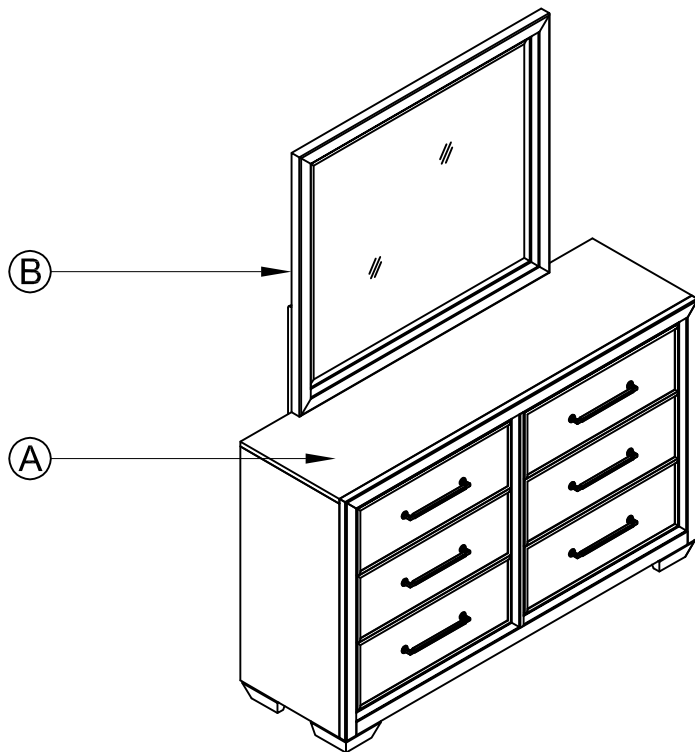


PARTS LIST / LISTE DES PIÈCES / LISTA DE PIEZAS

ITEM NO. / ARTICLE NO. / ARTICULO NO : S714-010S/030

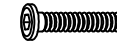
DESCRIPTION / LA DESCRIPCION / DESCRIPCIÓN : DRESSER-COMMODE-TOCADOR
MIRROR-MIROIR-ESPEJO

⚠️ AVERTISSEMENT	⚠️ WARNING	
<p>Des enfants sont morts à cause du renversement de meubles. Pour réduire le risque de renversement des meubles:</p> <ul style="list-style-type: none"> • Installez TOUJOURS le dispositif anti-basculement fourni. • NE JAMAIS placer un téléviseur sur ce produit. • NE JAMAIS laisser un enfant se tenir debout sur les tiroirs, les portes ou les tablettes, y grimper ou s'y suspendre. • N'ouvrez JAMAIS ouvrir plus d'un tiroir à la fois. • Mettre les objets les plus lourds dans les tiroirs du bas. <p><i>Cette étiquette est permanent. Ne pas la retirer!</i></p>	<p>Children have died from furniture tipover. To reduce the risk of furniture tipover:</p> <ul style="list-style-type: none"> • ALWAYS install anti-tip device provided. • NEVER put a TV on this product. • NEVER allow children to stand, climb, or hang on any drawers, doors, or shelves. • NEVER open more than one drawer at a time. • Place heaviest items in the lowest drawers. <p><i>This is a permanent label. Do not remove!</i></p>	 



(C)

x2 Mirror Support *
x2 Supporte de miroir
x2 Soporte del espejo



(D)

x8 Allen bolt Ø1/4"x45mm *
x8 Vis à tête creuse hexagonale Ø1/4"x45mm
x8 Perno Allen Ø1/4"x45mm



(E)

x8 Lock washer Ø1/4" *
x8 Rondelle de blocage Ø1/4"
x8 Arandela de Seguridad Ø1/4"



(F)

x8 Flat Washer Ø1/4"x16x1.5mm *
x8 Rondelle plate Ø1/4"x16x1.5mm
x8 Arandela plana Ø1/4"x16x1.5mm



(G)

x1 Allen Key 4mm *
x1 Clé hexagonale 4mm
x1 Llave Allen 4mm



(H)

x1 Furniture tipping restraint *
x1 Système antibasculement
x1 Control para evitar vuelcos

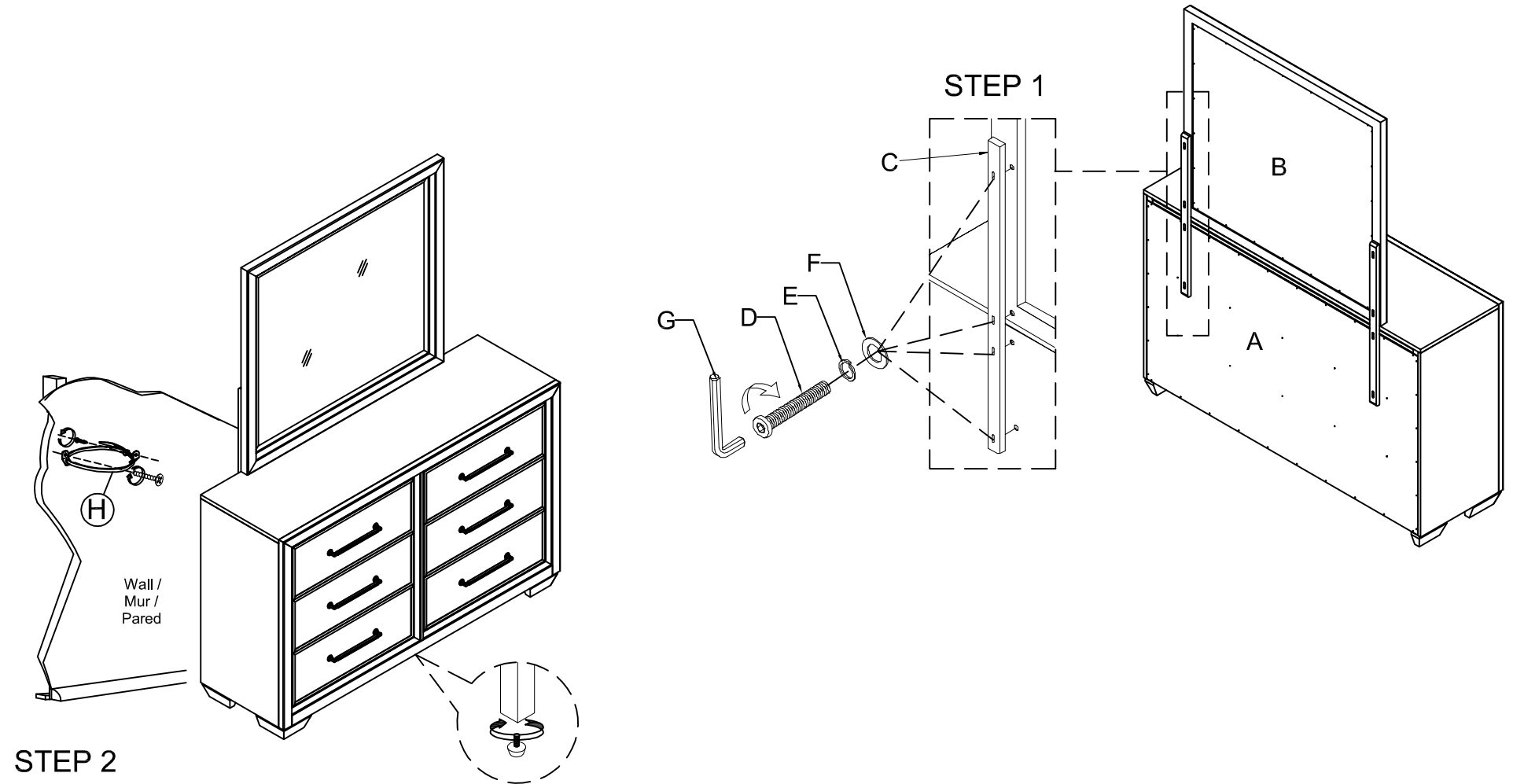
* Replaceable Part



ASSEMBLY INSTRUCTION / NOTICE DE MONTAGE/ INSTRUCCIONES DE MONTAJE

ITEM NO. / ARTICLE NO. / ARTICULO NO : S714-010S/030

DESCRIPTION / LA DESCRIPCION / DESCRIPCIÓN : DRESSER-COMMODE-TOCADOR
MIRROR-MIROIR-ESPEJO



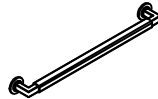
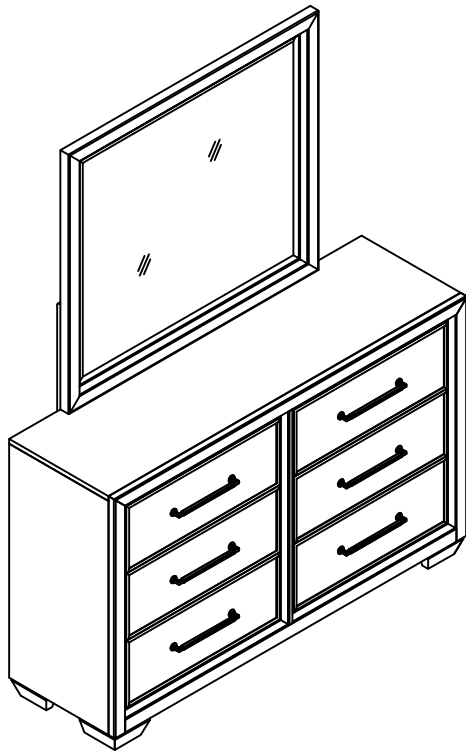
* Replaceable Part



REPLACEABLE PART/ PARTIE REMPLACABLE/ PARTE REEMPLAZABLE

ITEM NO. / ARTICLE NO. / ARTICULO NO : S714-010S/030

DESCRIPTION / LA DESCRIPCION / DESCRIPCIÓN : DRESSER-COMMODE-TOCADOR
MIRROR-MIROIR-ESPEJO



x6 RS714-010 - Pull - Pull with Screw*
Tirer et vis
Tire y Tornillo



x 6 COMGLIDE 10-35 Glide 10 inch 35mm*
Glissière
Carril de deslizamiento



x1 RS714-030-HWKIT-Hardware Kit*
Liste des pièces de quincaillerie
Lista de materiales



x4 RC-WH-NAIL-White Plastic Nail*
Clou en plastique
Clavo de plástico



x1 RC-FG-WHITE White Leveler*
Patin réglable
Nivelador



x2 RS714-030-MISU - Mirror Support*
Supporte de miroir
Soporte del espejo



x1 RC-ANTI-TIP Anti-tipping Restraint*
Liste des pièces de quincaillerie antibasculement
Lista del kit de materiales antivuelco

* Replaceable Part

Protect Your Wood or Laminate Flooring

*This statement applies to any floor without carpet.

If not careful, all furniture including upholstery and case pieces can scratch, scuff and even gouge floors. The recommendation is to have felt, rubber pads or area rugs under furniture on flooring without carpet.

Moving your furniture

Pushing and dragging furniture over floors without carpet can lead to scratches and scuffs. Have someone help when moving the larger pieces of furniture by lifting, try using a dolly or moving pads.

Felt and rubber pads

Applying furniture pads to the feet of furniture helps cushion contact points. Furniture pads can be found at local hardware stores. Felt pads slide easily across the floor, making them ideal for dining chairs and other pieces that move with use. Rubber pads will help furniture stay in place and are perfect for larger pieces, like sofas and loveseats.

Area rugs and rug pads

Using an area rug under furniture is another way to protect your floor from scratches and scuff marks. A rug pad under the area rug will provide extra cushion and added protection.