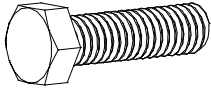


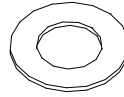
ASSEMBLY INSTRUCTIONS

Kit Contentc :-

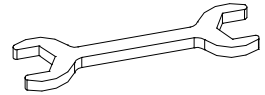
1. Bolts - 09Pc.
40x8mm.



2. Washers - 09Pc.
8mm.



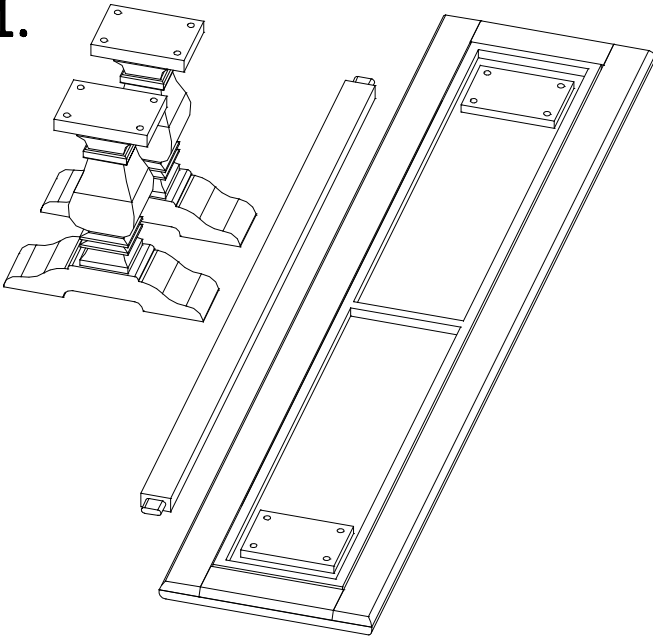
3. Spanner - 01Pc.
12-13mm.



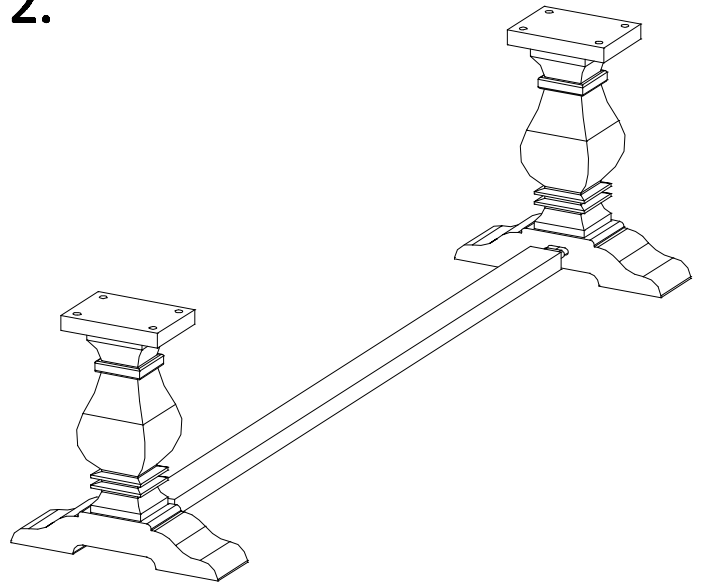
Instructions:-

1. Place the bench base on a protective surface.
2. Now place the stretcher in between the two bases. (See image 2)
3. Now place the bench base on bottom of the bench top. Secure fit using bolts & washers with using spanner. (See image 3).
4. Now bench is ready to use.

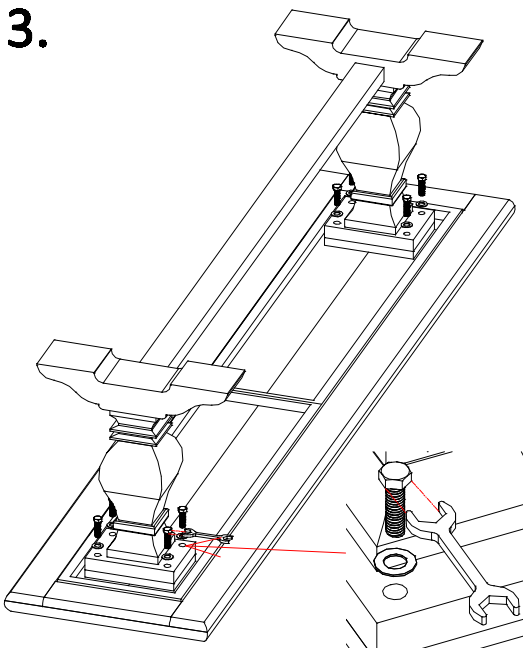
1.



2.



3.



4.

