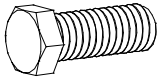


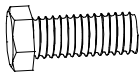
ASSEMBLY INSTRUCTIONS

Kit Contents:-

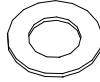
1.Bolts-1Pc.
25x9mm.



2.Bolts-9Pc.
25x8mm.



3.Washers-9Pc.
8mm.



4.Spanner-1Pc.
12-13no.



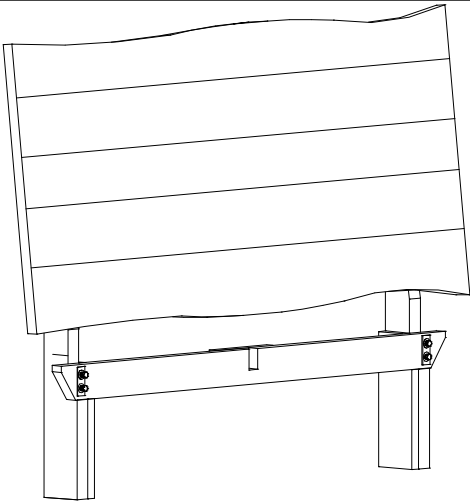
5.Spanner-1Pc.
14-15no.



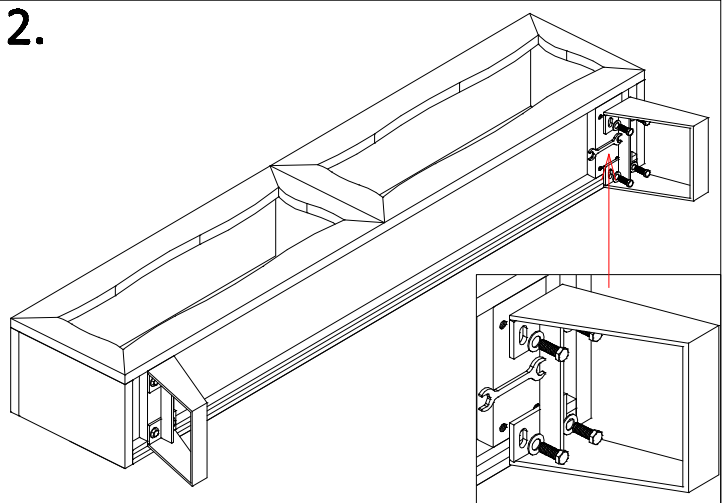
Instructions:

1. Place headboard against the wall and loosen the inserted bolts.
2. Place foot board upside down as shown in picture 2 & match the legs hole with foot board bottom holes. Secure using bolts & washers using spanner. (Using 25x8mm. bolts)
3. Place the side rails on headboard and tighten the bolts. Repeat the same on foot board side as shown in picture 3. (Using 25x9mm. bolts)
4. Similarly match the headboard & foot board with center support & fix the center support as shown in picture 4.
5. Place the slats between center support & side rail as shown picture 5.
6. Now the bed is ready to use as shown picture 6.

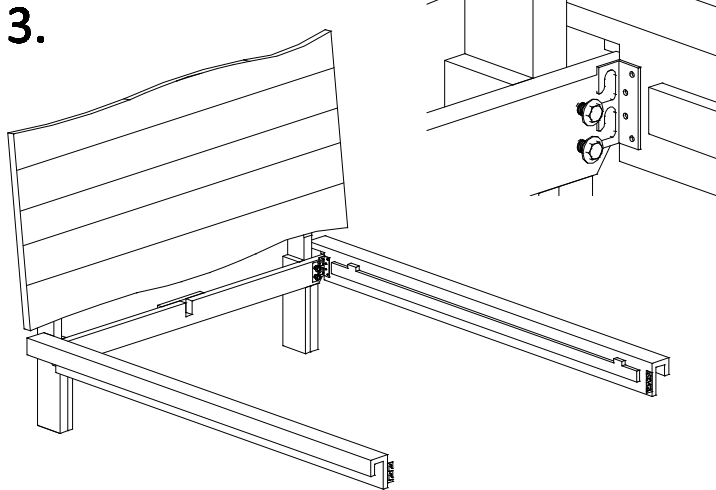
1.



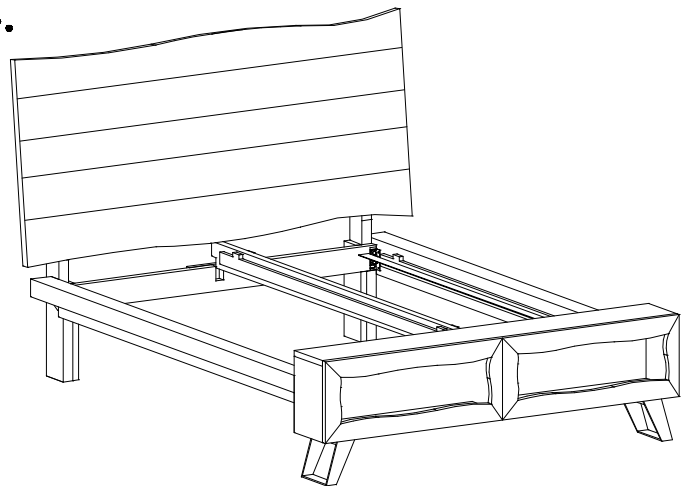
2.



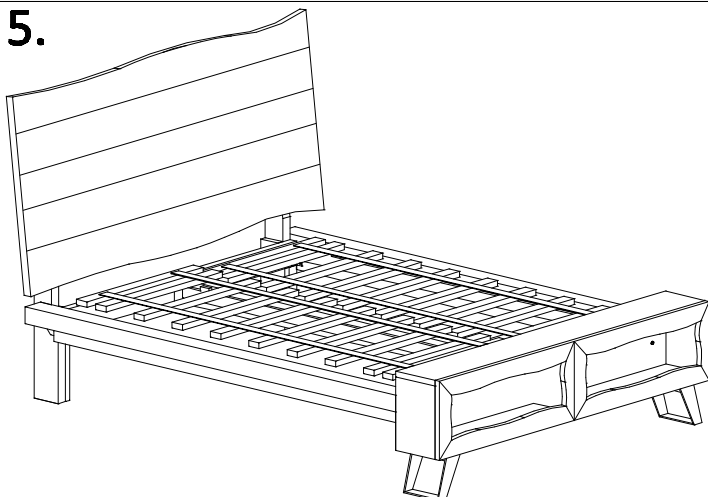
3.



4.



5.



6.

