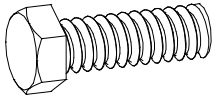


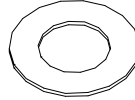
# ASSEMBLY INSTRUCTIONS

## Kit Contents:-

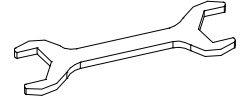
1. Bolt-5Pc.  
30x8mm.



2. Washer-5Pc.  
8mm.



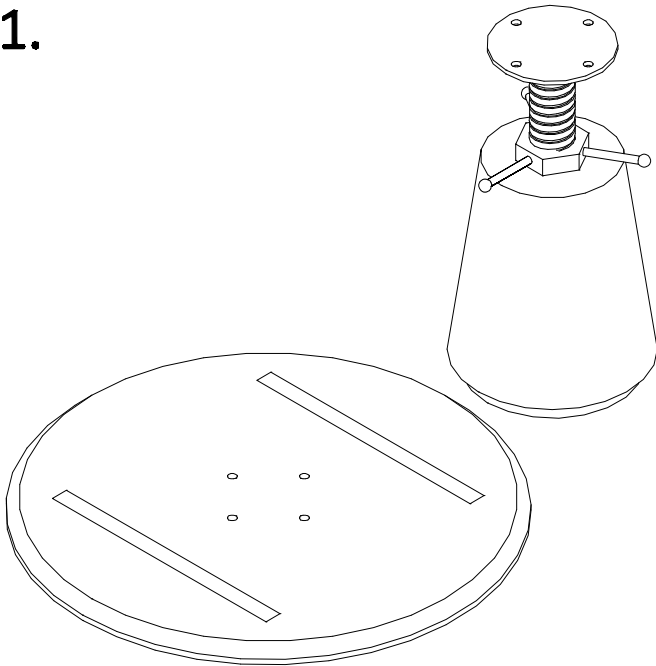
3. Spanner-1Pc.  
12-13no.



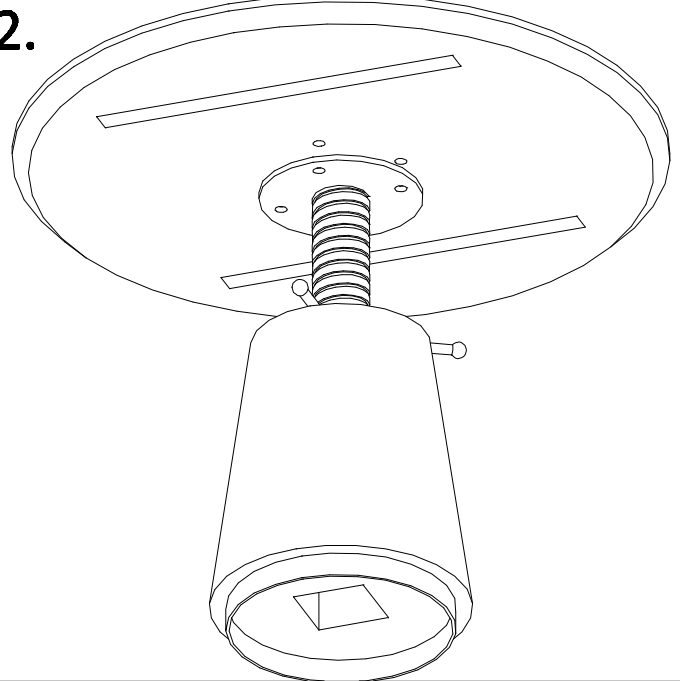
## Instructions:-

1. Put the table base on a protective surface.
2. Match the holes on the table base with holes on the bottom of the table top (See image 2).
3. Secure fit using bolts & washer with spanner provided. (See image 3)
4. Now the table is ready to use.
5. **Adjustment:-** To raise the table height rotate the top anticlock wise. Once the height is achieved tighten the wing bolt on base level.

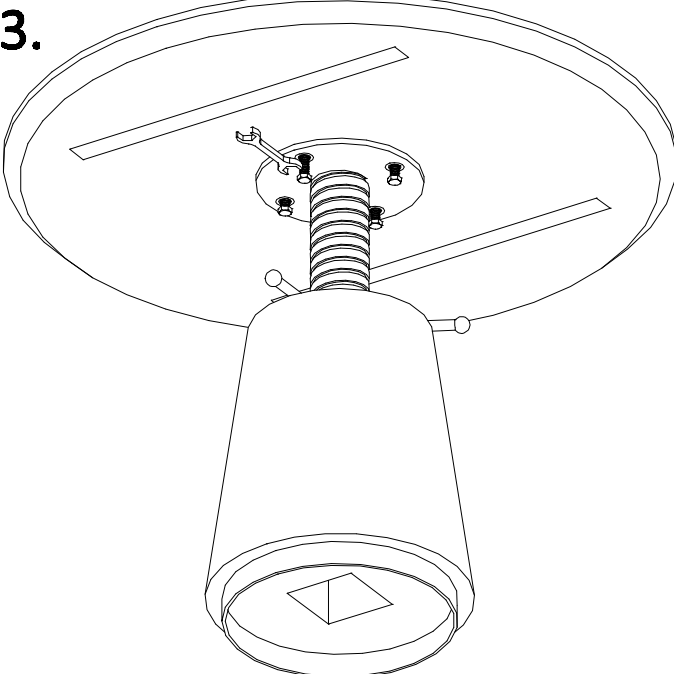
1.



2.



3.



4.

