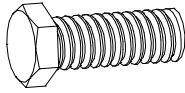


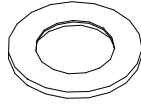
ASSEMBLY INSTRUCTIONS

Kit Contents:-

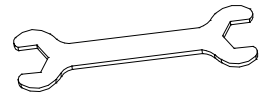
1. Bolts-13Pc.
25x8mm.



2. Washer-13Pc.
8mm.



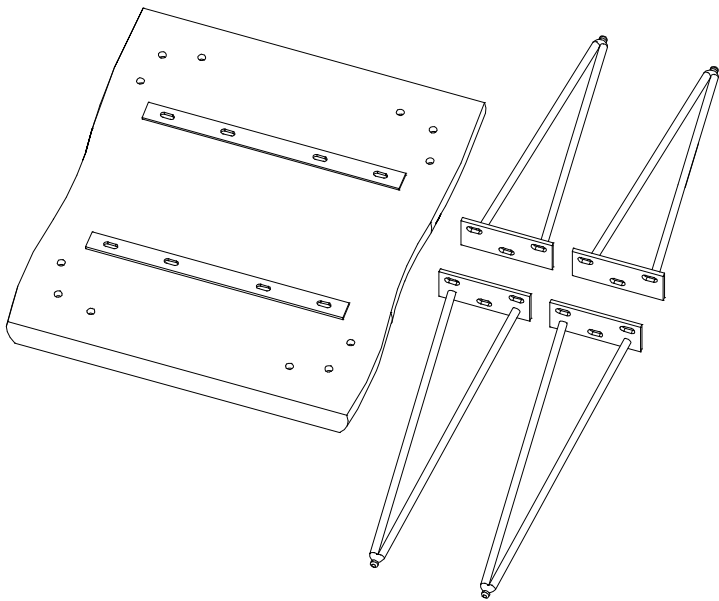
3. Spanner-1Pc.
12-13no.



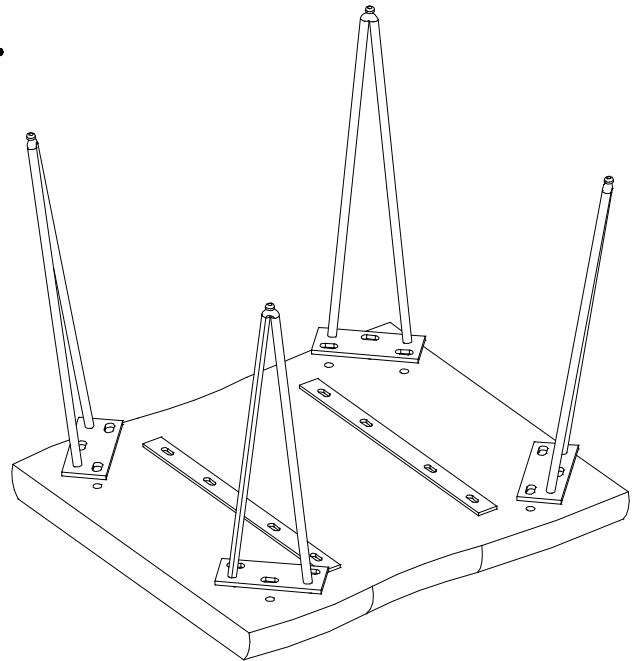
Instructions:-

1. Put the table top upside down on a protective surface.
2. Match the holes on the table leg with holes on the bottom of the table top. (as shown Image2.)
3. Similarly attach the other legs to the table. Secure using bolts & washers with spanner provided. (as shown Image3.)
4. Now the table can be turned up right.

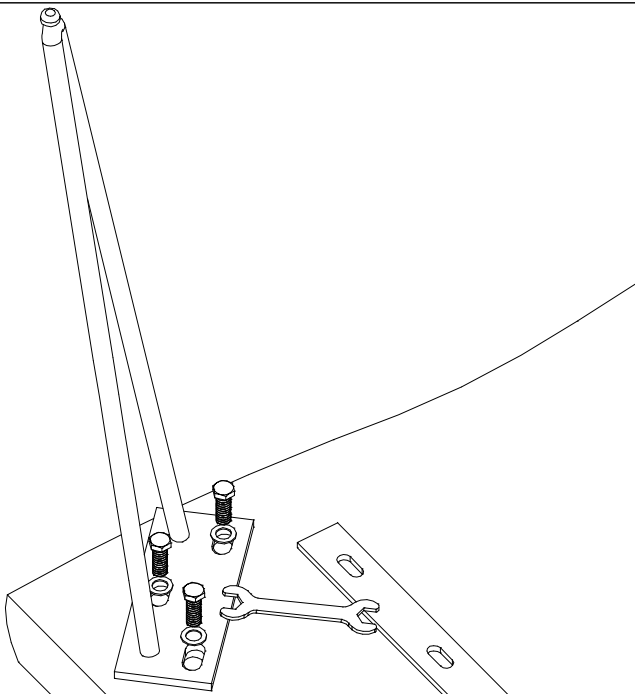
1.



2.



3.



4.

