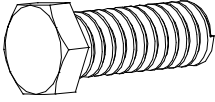


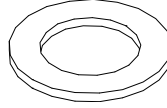
ASSEMBLY INSTRUCTIONS

Kit Contents:-

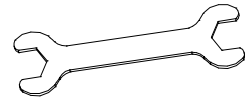
1. Bolts-13Pc.
25x8mm.



2. Washer-13Pc.
8mm.



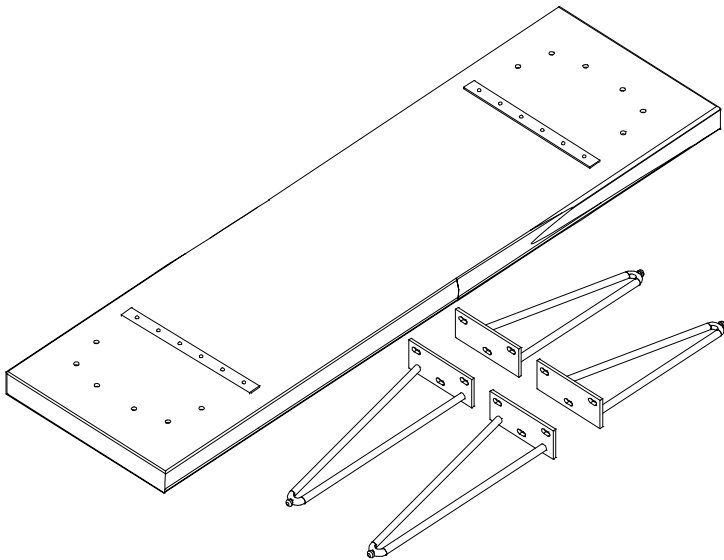
3. Spanner-1Pc.
12-13no.



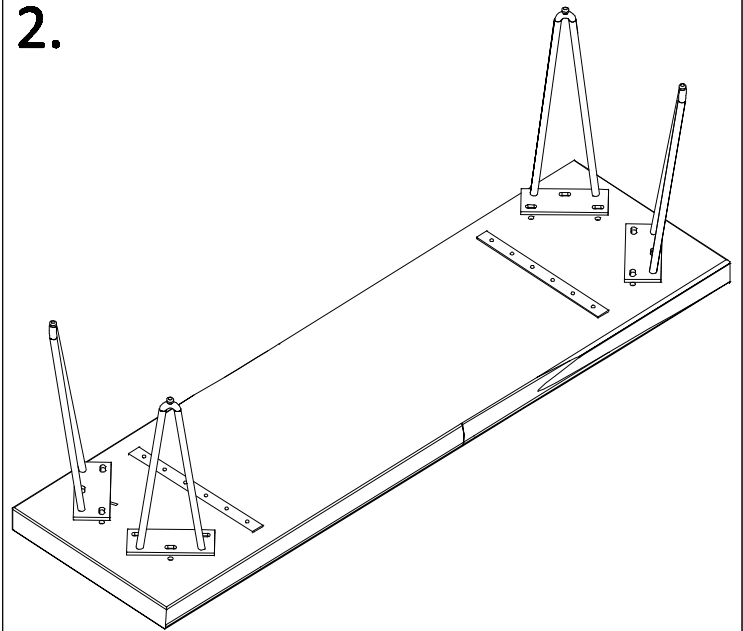
Instructions:-

1. Put the bench top upside down on a protective surface.
2. Match the holes on the bench leg with holes on the bottom of the bench top. (as shown Image2.)
3. Similarly attach the other legs to the bench. Secure using bolts & washers with spanner provided. (as shown Image3.)
4. Now the Bench can be turned up right.

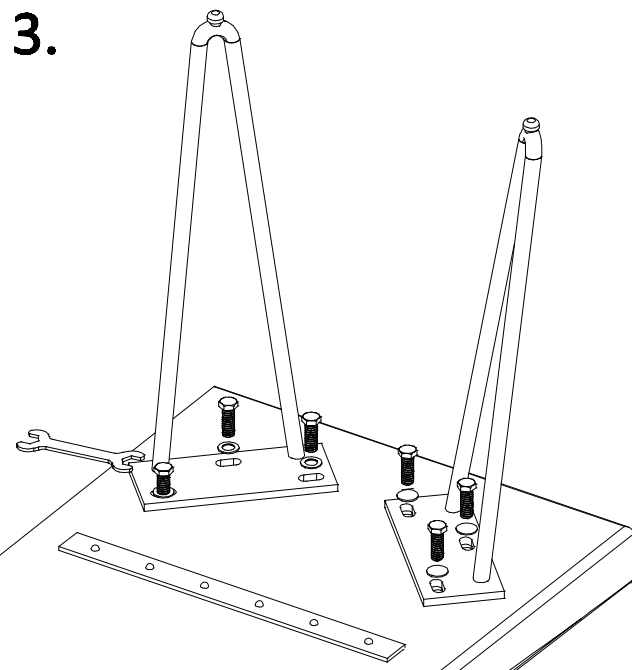
1.



2.



3.



4.

