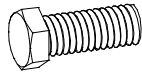


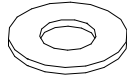
ASSEMBLY INSTRUCTIONS

Kit Contents:-

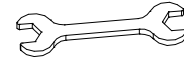
1. Bolts - 5Pc.
50x8mm.



2. Washer - 5Pc.
8mm.



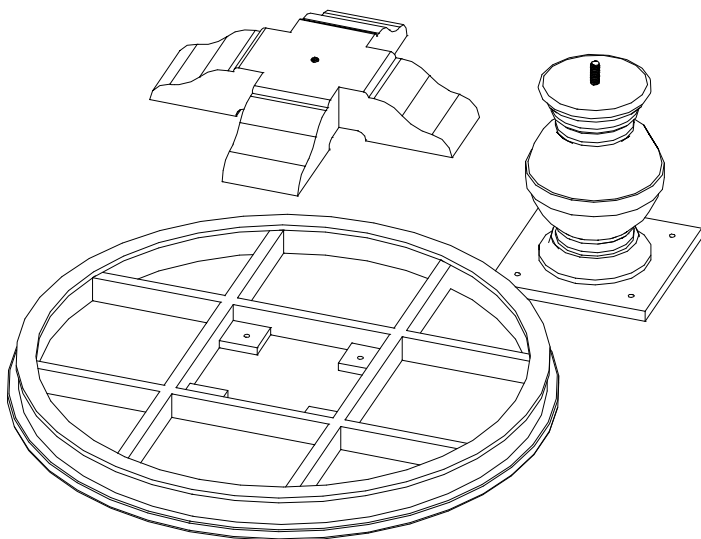
3. Spanner - 1Pc.
12-13no.



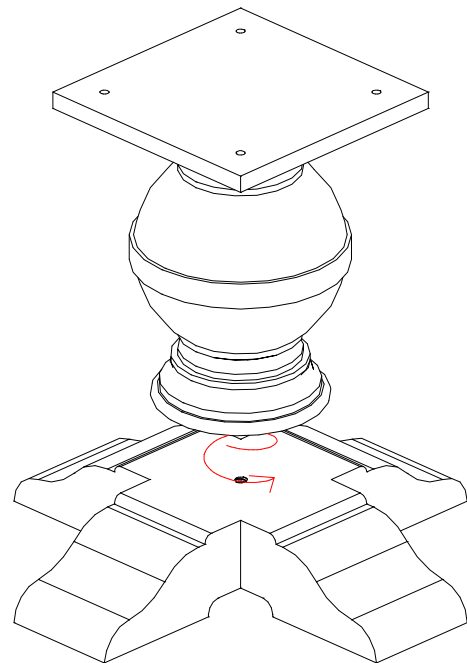
Instructions:-

1. Keep the table base on a protective surface.
2. Place the pedestal on base, align & insert nut in pedestal with bolt in base & spin clockwise until there is a secure fit as shown in image 2. Do not over tighten.
3. Now place the table top upside down on a protective surface.
4. Place the assembled base & pedestal on the top align holes in pedestal with nut in to attach using bolts and tighten with spanner until there is ensure secure fit. Shown in Image 3.
5. Now turn the table upright and it is ready to use.

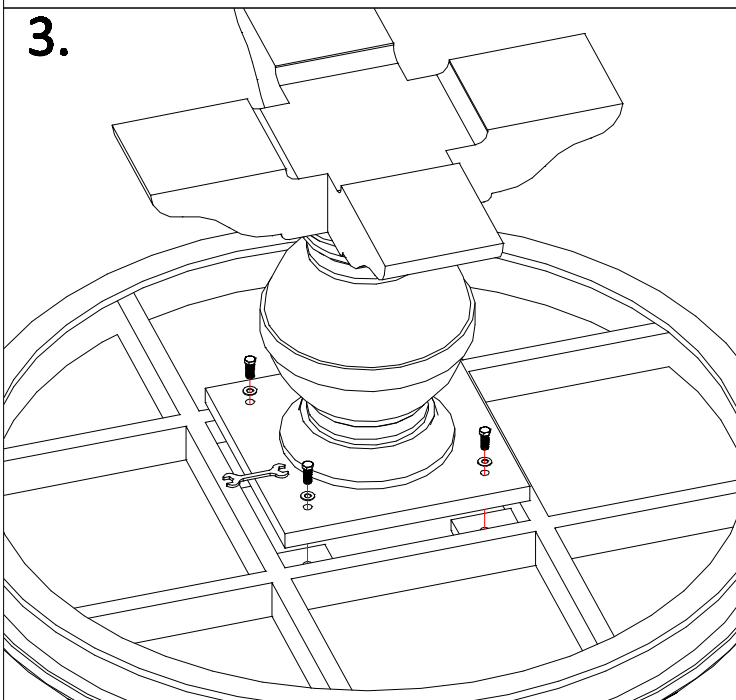
1.



2.



3.



4.

