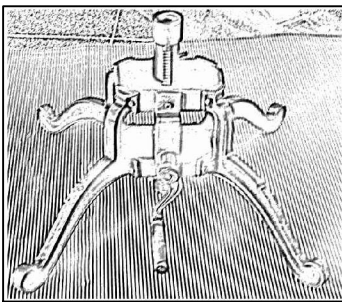
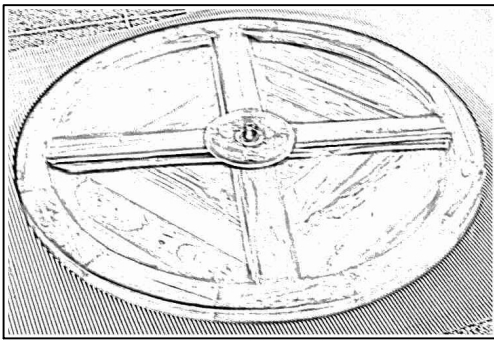


# ASSEMBLY INSTRUCTIONS

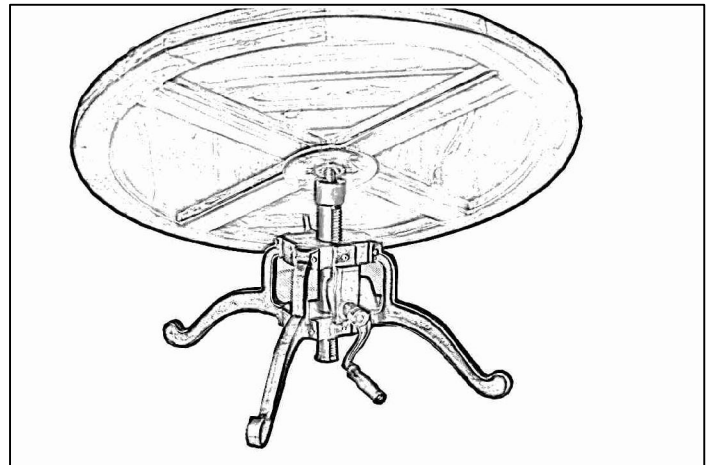
## Instructions:-

1. Keep the base of the coffee table on a protective surface.
2. Now place the wooden top bolt in base as shown image 2.
3. Now rotate the wooden top in clockwise direction for a secure fit. Do not over tighten as shown image 3.
4. The coffee table is ready to use.
5. Adjusting Mechanism: To adjust the height of the coffee table loosen the "Key" and rotate the "handle" to get the desired height. Make sure once the height of the table is achieved, tighten the key making sure the key is engaged in the locking mechanism.

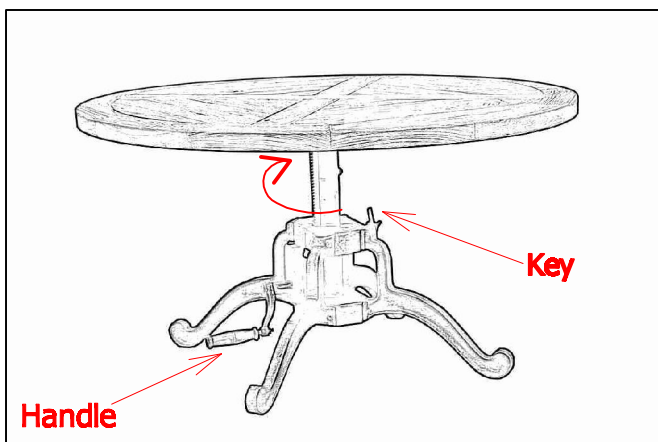
1.



2.



3.



4.

