

# ASSEMBLY INSTRUCTION SARATOGA DINING TABLE





## IMPORTANT SAFETY CONSTRUCTION

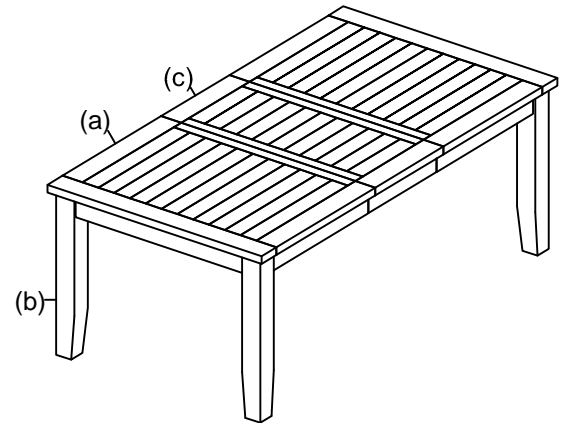
Thank you for purchasing this quality product. Be sure to check all packing material carefully for small parts that may have come loose inside the carton during shipment. Please read all instruction carefully before assembling. For your safety, assembly by two people is recommended.

### PARTS INCLUDED:

- (1) Table Top (a)
- (4) Table Leg (b)
- (1) Table Leaf (c)

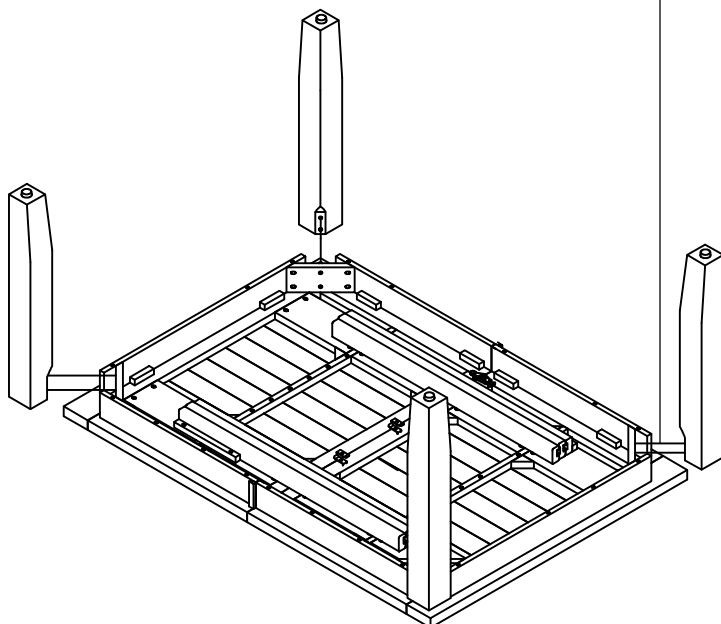
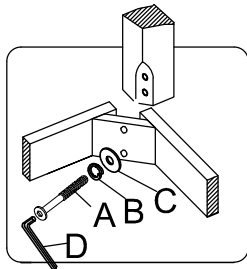
### HARDWARE ENCLOSED:

- A 8x  Ø8 x 60mm
- B 8x  Ø8 x 13mm
- C 8x  Ø8 x 19mm
- D 1x 



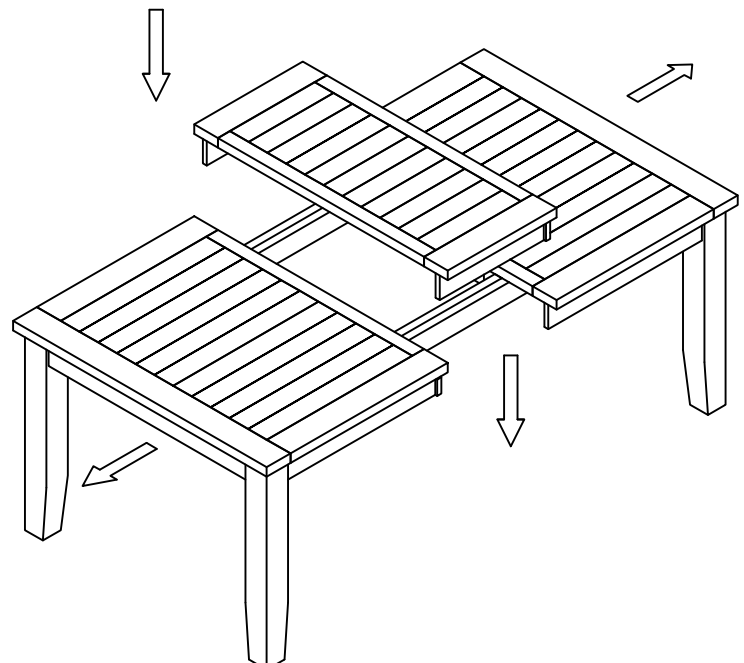
## ASSEMBLY INSTRUCTIONS

- Carefully lay Table Top upside down on a smooth flat surface to prevent scratches.
- Affix Leg to corner of the Table Top. Place a Nut (C) with Flat washer (A), Lock washer (B) in hanger Bolt as shown in illustration.
- Once all Legs are in place, fully tighten the Nuts by turning clockwise using Key Wrench until secure. (See Detail)



### Self Storing Leaf

- Carefully turn the table upright position, make sure The Lock in "open" position.
- Fully extend both sides of the table and carefully carry the leaf (c) to lay flat, in line with table top, secure the leaf with extension locks on the underside of table.
- Reverse procedure for storage.
- Complete assembly



### NOTES:

The use of power tools for assembly is not recommended. Power tools can damage hardware or split wood.