

ASSEMBLY INSTRUCTION

BROOKHAVEN MODERN FARMHOUSE TABLE





IMPORTANT SAFETY CONSTRUCTION

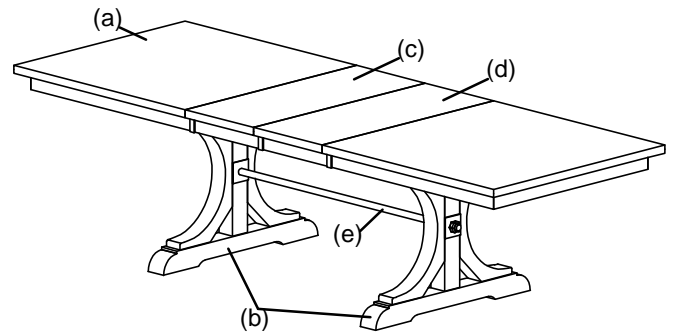
Thank you for purchasing this quality product. Be sure to check all packing material carefully for small parts that may have come loose inside the carton during shipment. Please read all instruction carefully before assembling. For your safety, assembly by two people is recommended.

PARTS INCLUDED:

- (1) Table Top (a)
- (2) Frame Legs (b)
- (1) Leaf (c)
- (1) Leaf (d)
- (1) Metal Stretcher (e)

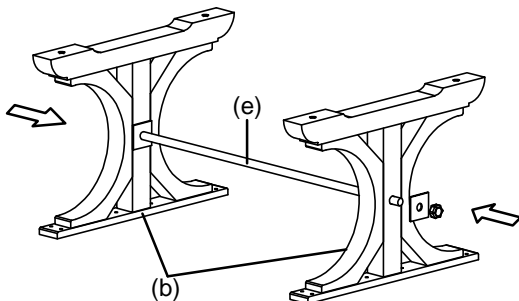
HARDWARE ENCLOSED:

- A 12x  Ø8 x 50mm
- B 12x  Ø8 x 13mm
- C 12x  Ø8 x 19mm
- D 1x 



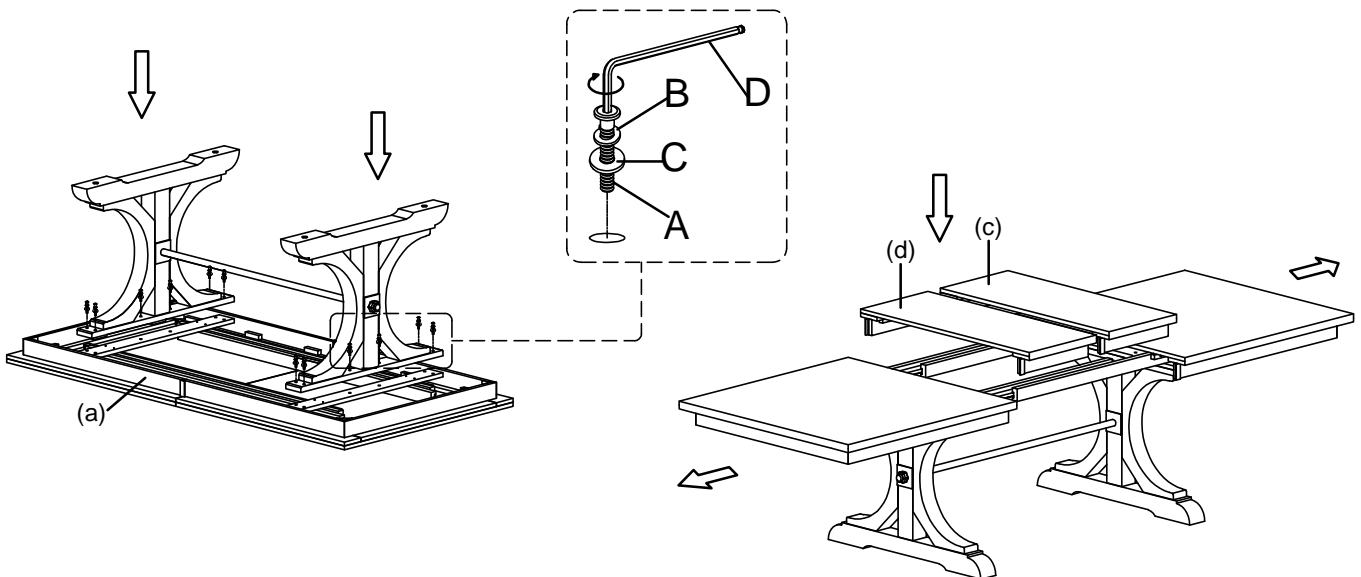
ASSEMBLY INSTRUCTIONS

- Carefully lay Leg frame upside down on a smooth flat surface to prevent scratches.
- Affix each Leg frame to stretcher as shown in illustration
- Carefully lay Table Top upside down on a smooth flat surface to prevent scratches.
- Affix each Leg frame to bottom of the Table top as shown in illustration. Insert a Flat Washer (C), Lock Washer (B) and Bolt (A) into each of the hole on the leg frame.
- Once all Legs are in place, fully tighten the Bolts by turning clockwise using Allen Key(D) until secure. (See Detail)



Self Storing Leaf

- Carefully turn the table upright position, make sure The Lock in "open" position.
- Fully extend both sides of the table and carefully carry the leaf (c) to lay flat, in line with table top, secure the leaf with extension locks on the underside of table.
- Reverse procedure for storage.
- Complete assembly



NOTES:

The use of power tools for assembly is not recommended. Power tools can damage hardware or split wood.