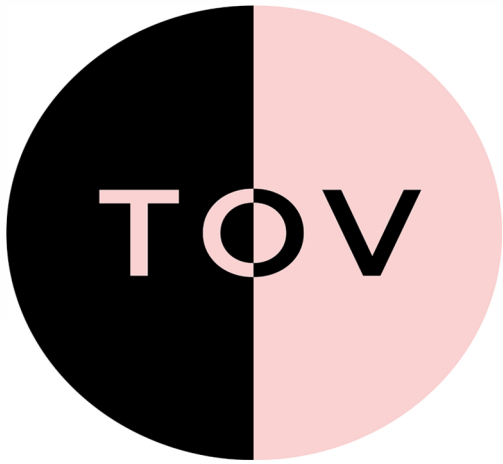


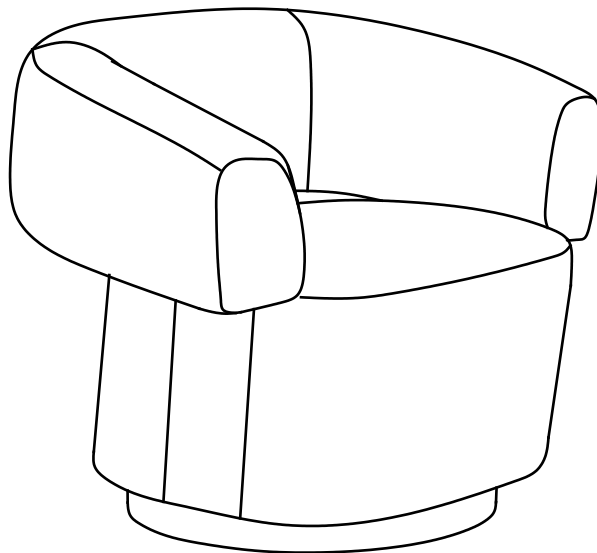
RIVER CHAIR



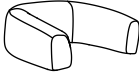
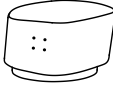

# River

---


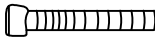


## Assembly Instructions



## PARTS LIST

LABEL	PICTURE	DESCRIPTION	QTY
A		Back	1
B		Base	1
C		Iron plate	2

## HARDWARE

LABEL	PICTURE	DESCRIPTION	QTY
a		Metal Gasket	14
b		Screw M6x30	14
c		Wrench	1
d		Spring Washer	14

### BEFORE BEGINNING ASSEMBLY:



*Read instructions cover to cover*



*Have two adults on hand for assembly*



*Do NOT assemble on flooring or carpet. Assemble on a clean non-marring surface (ex: packing foam)*

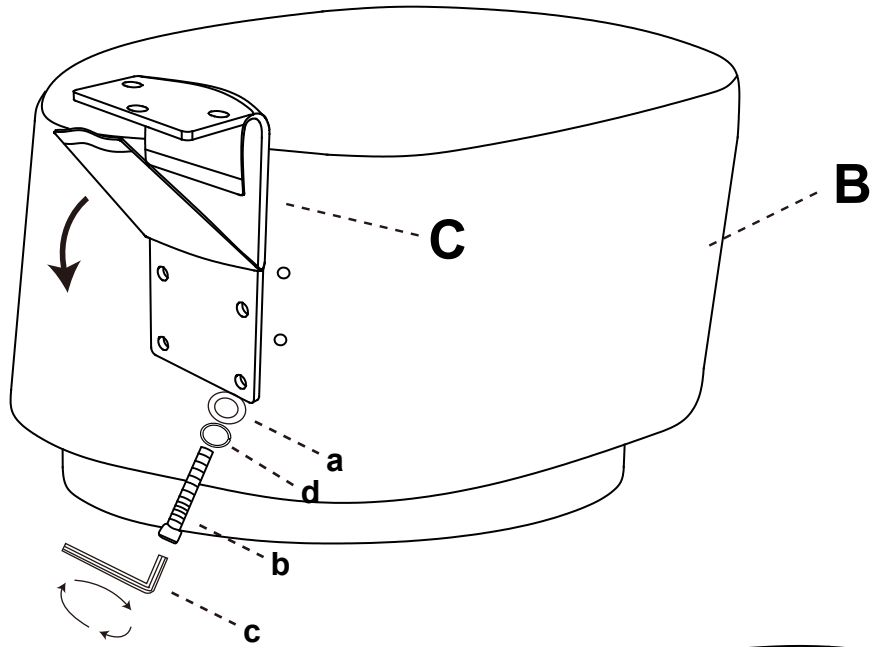


*Save all packaging until assembly is completed*

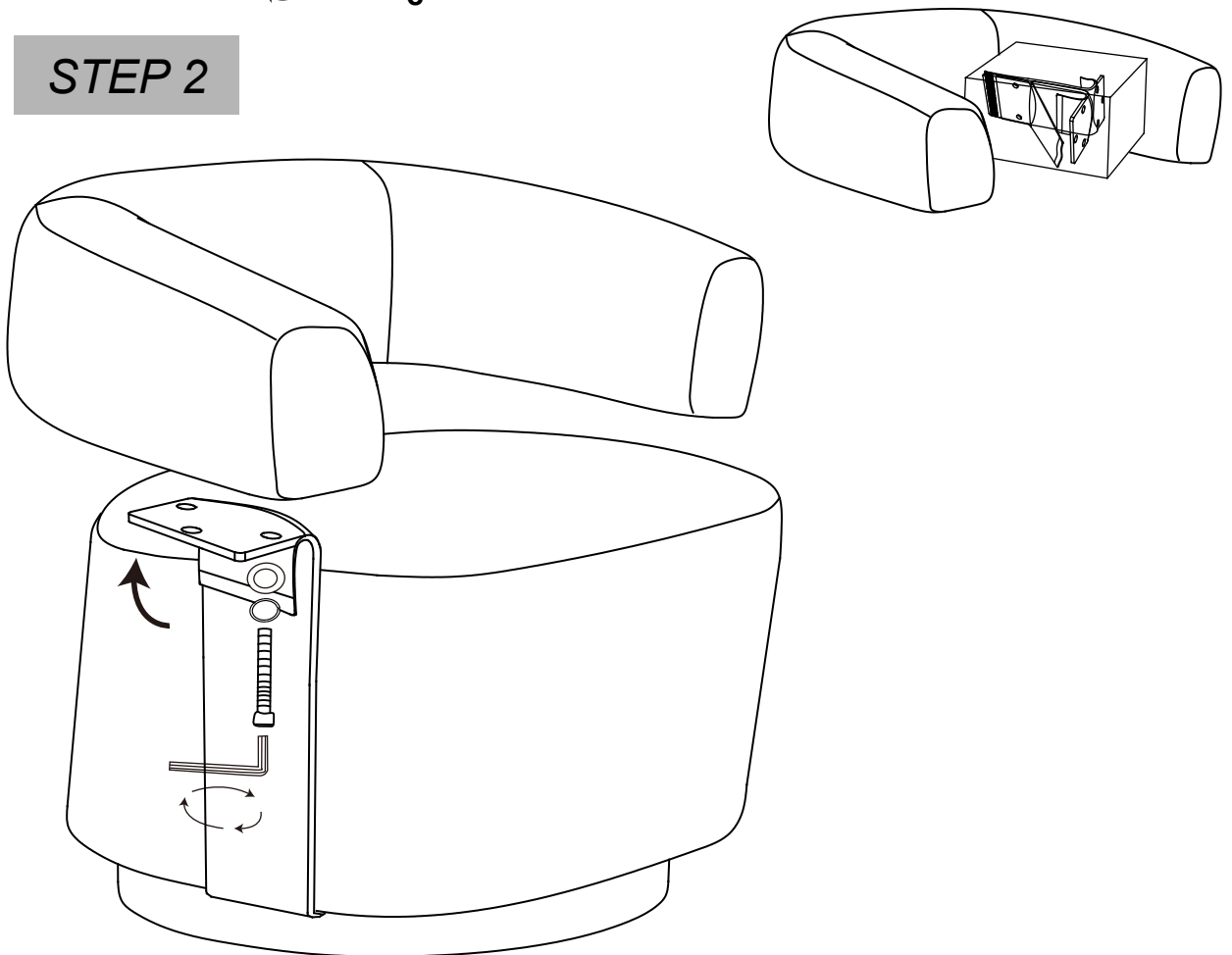
*Need a part? Call TOV at 516-888-3355 or email [service@tovfurniture.com](mailto:service@tovfurniture.com)*

# ASSEMBLY STEPS

## STEP 1



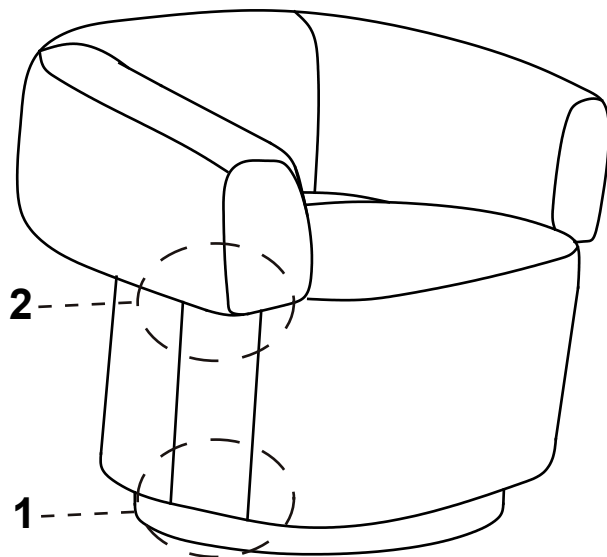
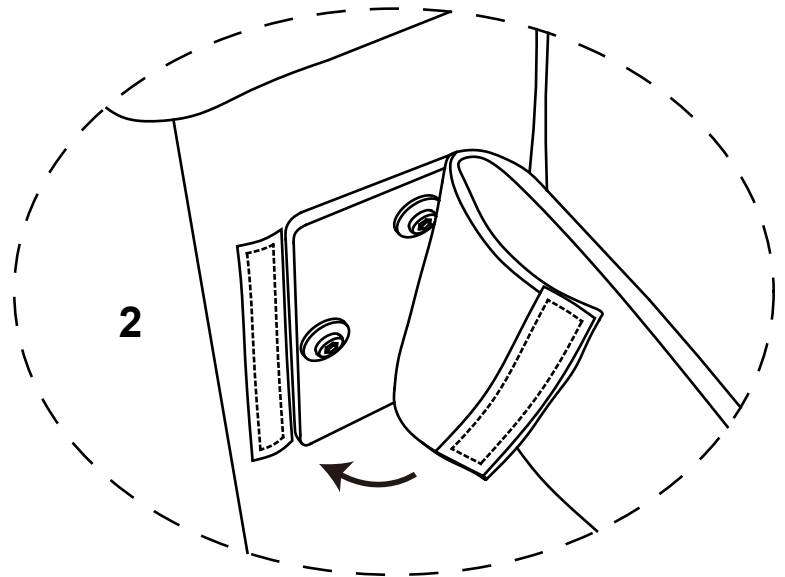
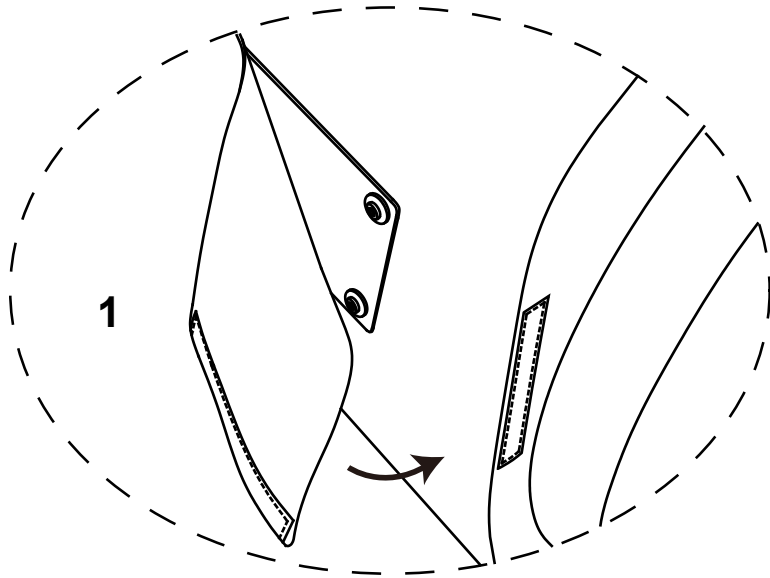
## STEP 2



> Use the included hardware to assemble the backseat.

## ASSEMBLY STEPS

### STEP 3



> Fasten the fabric cover to the preinstalled velcro on the underside of the backrest and chair as illustrated.

## CARE & MAINTENANCE



**Do not put hot items directly on furniture surface.**



**Do not clean furniture with harsh cleansers or polish.**



**Dust and wipe up spills using a clean, non-colored, lint-free cloth.**



**Stains may be removed with mild soap solution and a damp cloth**



**Do not place furniture under direct sunlight.**



**Do not place furniture near heating or cooling vents.**



**Do not write on furniture without a padded barrier to protect the surface.**



**Do not place furniture outside, for indoor use only.**