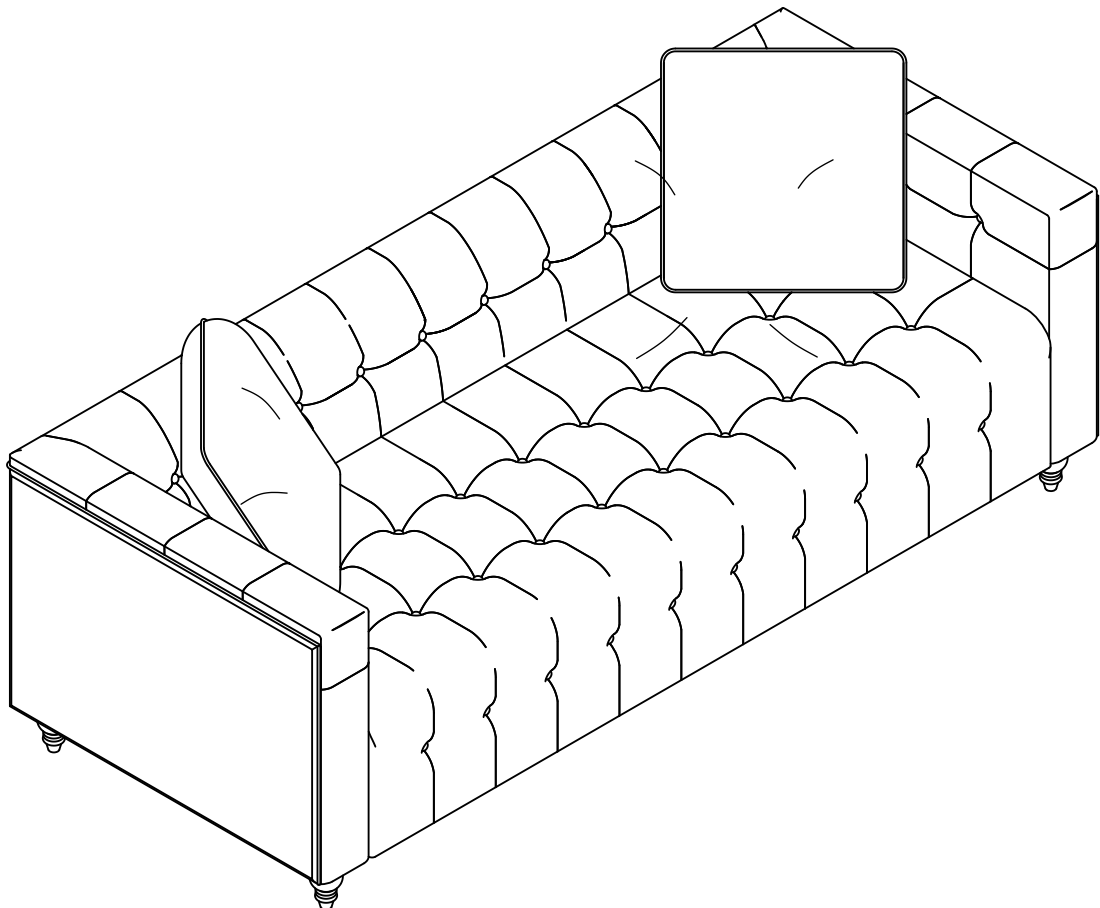


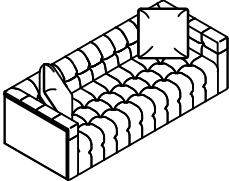
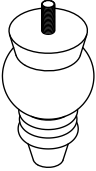
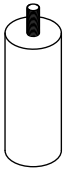

# Bea

---

## ASSEMBLY INSTRUCTIONS



# PARTS LIST & HARDWARE LIST

LABEL	PICTURE	DESCRIPTION	QTY
A		Sofa	1
B		Leg	4
C		Center leg	1
D		Nylon Lock Washer	5

## BEFORE BEGINNING ASSEMBLY:



Read instructions cover to cover



Have two adults on hand for assembly



DO NOT assemble on flooring or carpet. Assemble on a clean non-marring surface (ex: packing foam)



Save all packaging until assembly is completed

## CARE & MAINTENANCE



Do not put hot items directly on furniture surface.



Do not clean furniture with harsh cleansers or polish.



Dust and pick up spills using a clean, non-colored, lint-free cloth.



Stains may be removed with mild soap solution and a damp cloth.



Do not place furniture under direct sunlight.



Do not place furniture near heating or cooling vents.



Do not write on furniture without a padded barrier to protect the surface.

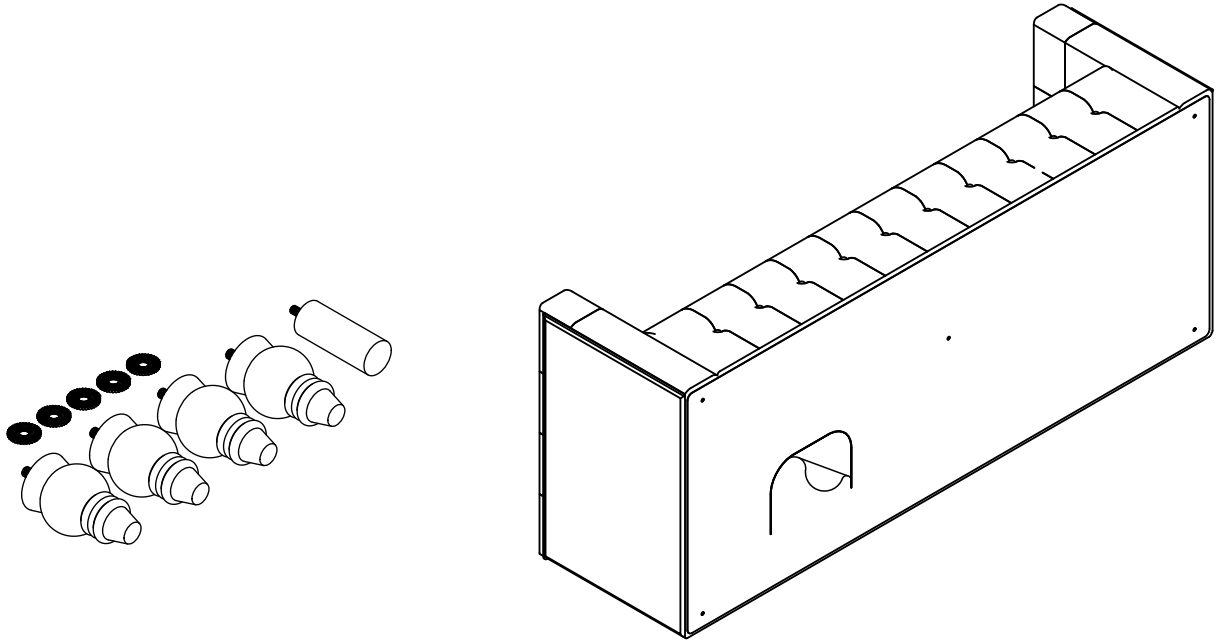


Do not place furniture outside, for indoor use only.

# ASSEMBLY STEPS

## STEP 1:

On a plain and non-abrasive surface, gently lay the sofa on its back. Unzip the pocket underneath the sofa and remove the leg and hardware inside.



## STEP 2:

On all corners and center part, underneath the Sofa are holes with pre-installed threaded nuts which corresponds to the threaded rod on the legs. Install the legs underneath the sofa together with the Nylon Plastic washers (D) provided. Please see sketch below.

