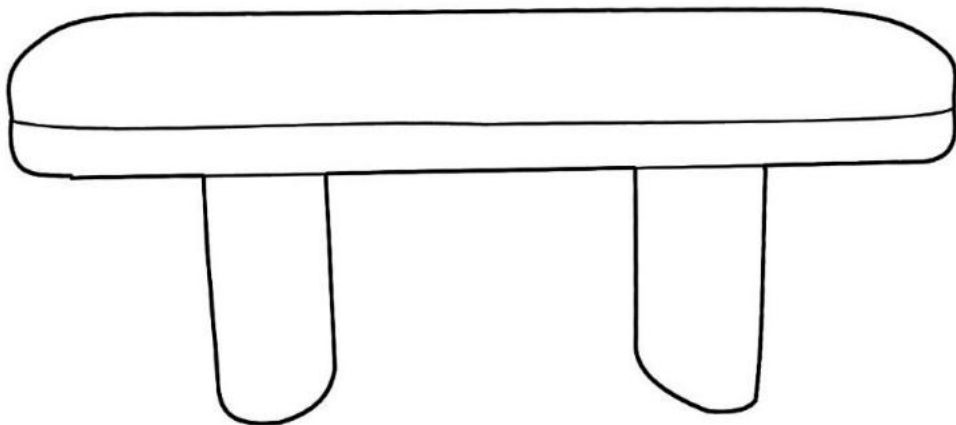




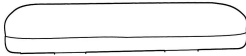

OLLIE BENCH

Ollie Bench

ASSEMBLY INSTRUCTIONS



PARTS LIST

LABEL	PICTURE	DESCRIPTION	QTY
A		Seat Panel	1
B		Leg	2

HARDWARE LIST

LABEL	PICTURE	DESCRIPTION	QTY
①		Allen Key	1
②		Bolt(M6*45mm)	8
③		Spring Washer	8
④		Washer	8

BEFORE BEGINNING ASSEMBLY:



Read instructions cover to cover



Have two adults on hand for assembly



Do NOT assemble on flooring or carpet. Assemble on a clean non- marring surface (ex: packing foam)

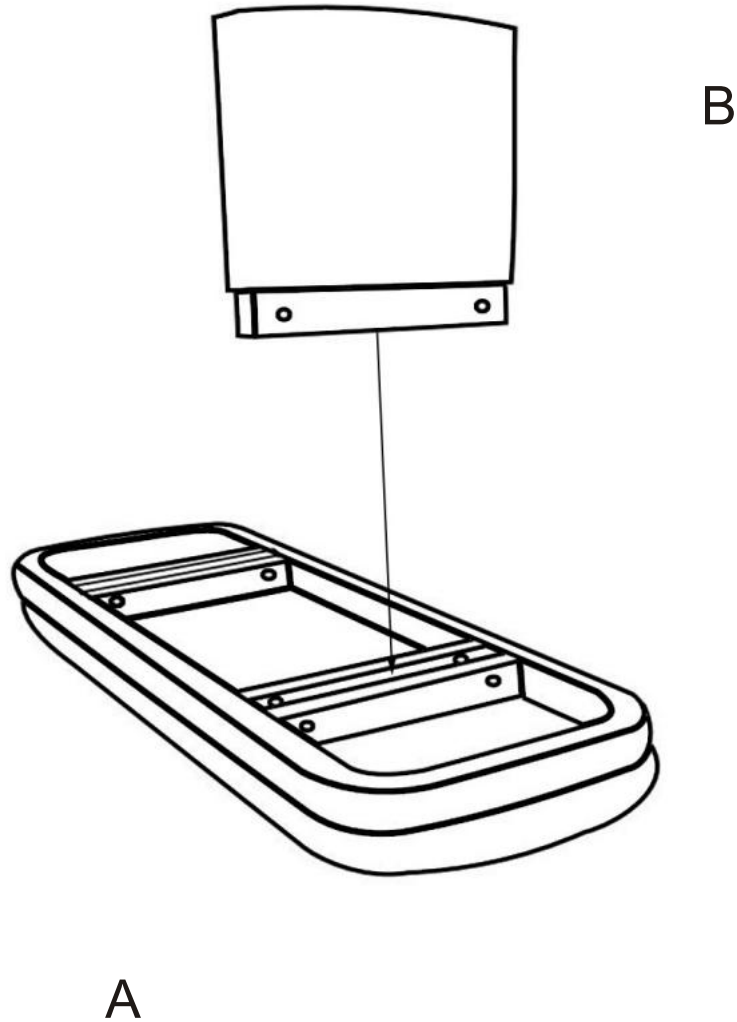


Save all packaging until assembly is completed

Need a part? Call TOV at 516-888-3355 or email service@tovfurniture.com

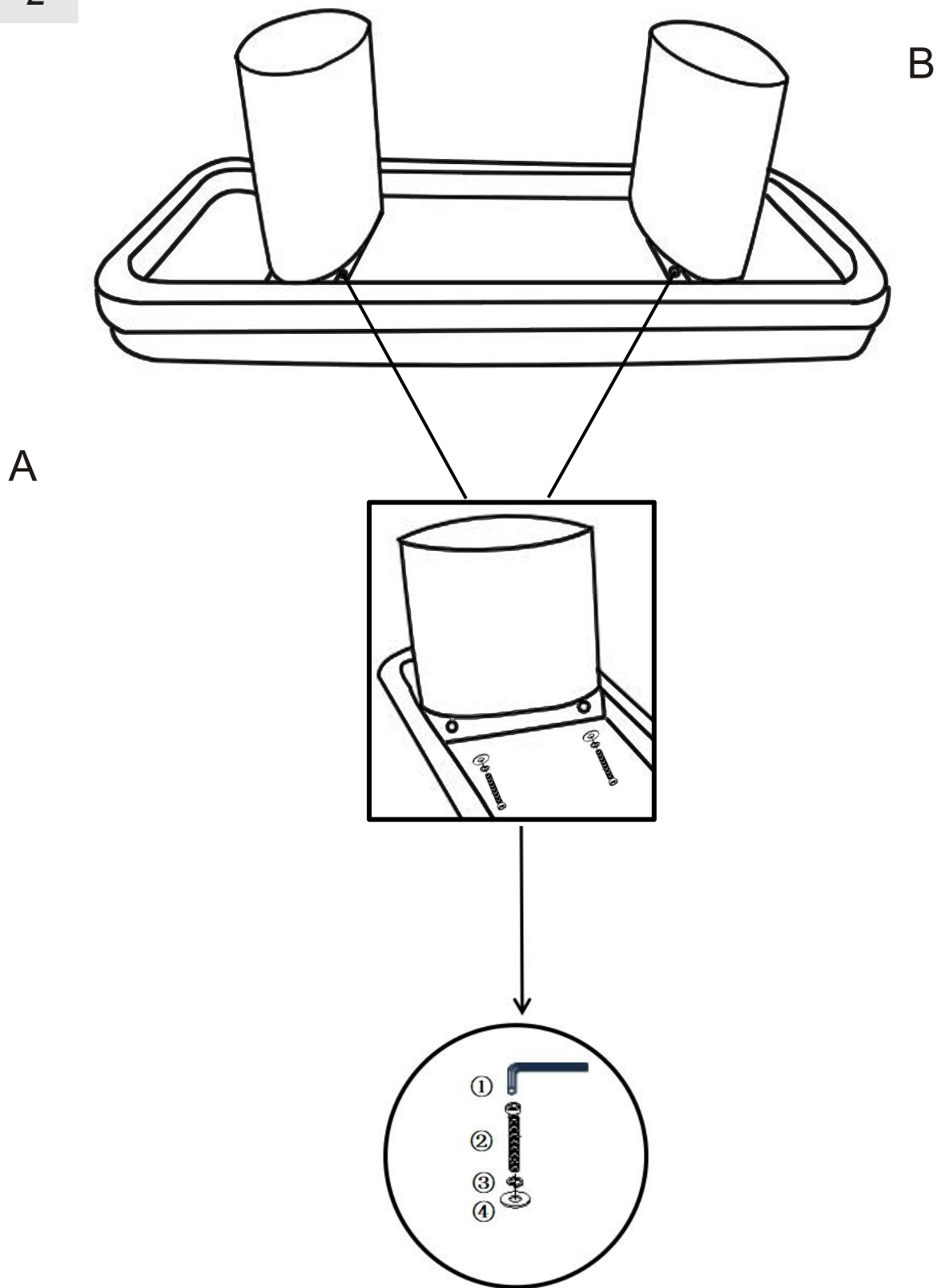
ASSEMBLY STEPS

STEP 1



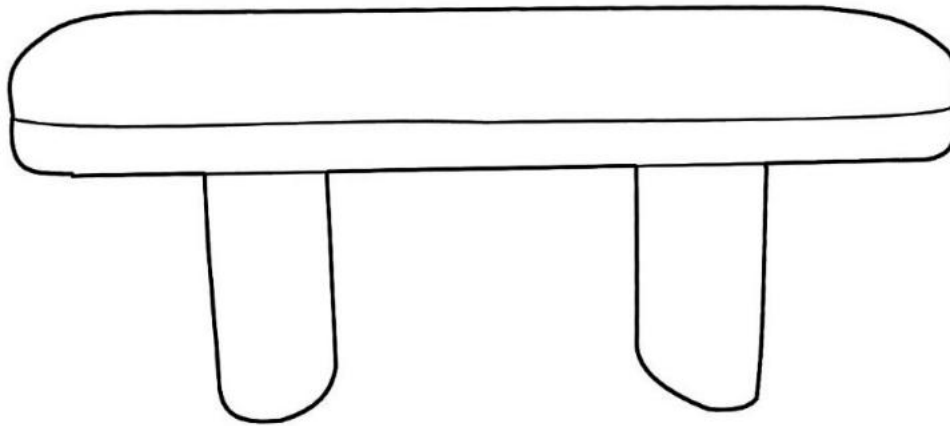
> **Insert the top part of the leg in between the supports bar.**

STEP 2



- >Insert 8 Bolt(2) spring washer(3) washer(4) into the holes to attach the legs.
- >Use the Allen Key to tighten the bolts(2).

STEP 3



>Turn the bench upright, assembly is completed.

CARE & MAINTENANCE



Do not put hot items directly on furniture surface.



Do not clean furniture with harsh cleansers or polish.



Dust and wipe up spills using a clean, non-colored, lint-free cloth.



Stains may be removed with mild soap solution and a damp cloth.



Do not place furniture under direct sunlight.



Do not place furniture near heating or cooling vents.



Do not write on furniture without a padded barrier to protect the surface.



Do not place furniture outside, for indoor use only.