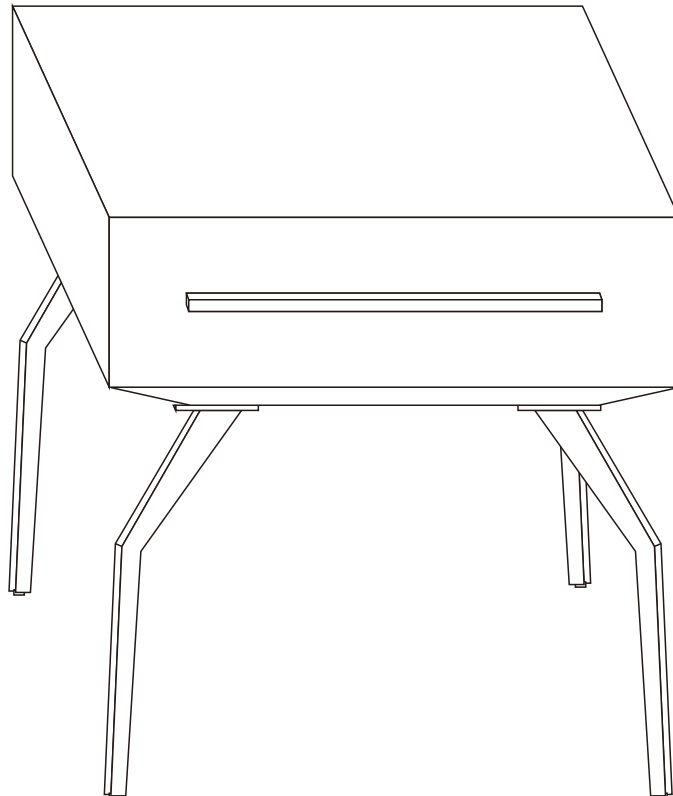


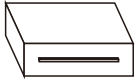

Santana Glass Side Table

Santana Glass Side Table



ASSEMBLY INSTRUCTIONS



PARTS LIST

	PICTURE	DESCRIPTION	QTY
A		Top	1
B		Leg	2

HARDWARE

	PICTURE	DESCRIPTION	QTY
C		Allen Key	1
D		Bolts	12
E		Flat Washer	12
F		Spring washer	12

BEFORE BEGINNING ASSEMBLY:



Read instructions cover to cover



Have two adults on hand for assembly



Do NOT assemble on flooring or carpet. Assemble on a clean non-marring surface (ex: packing foam)

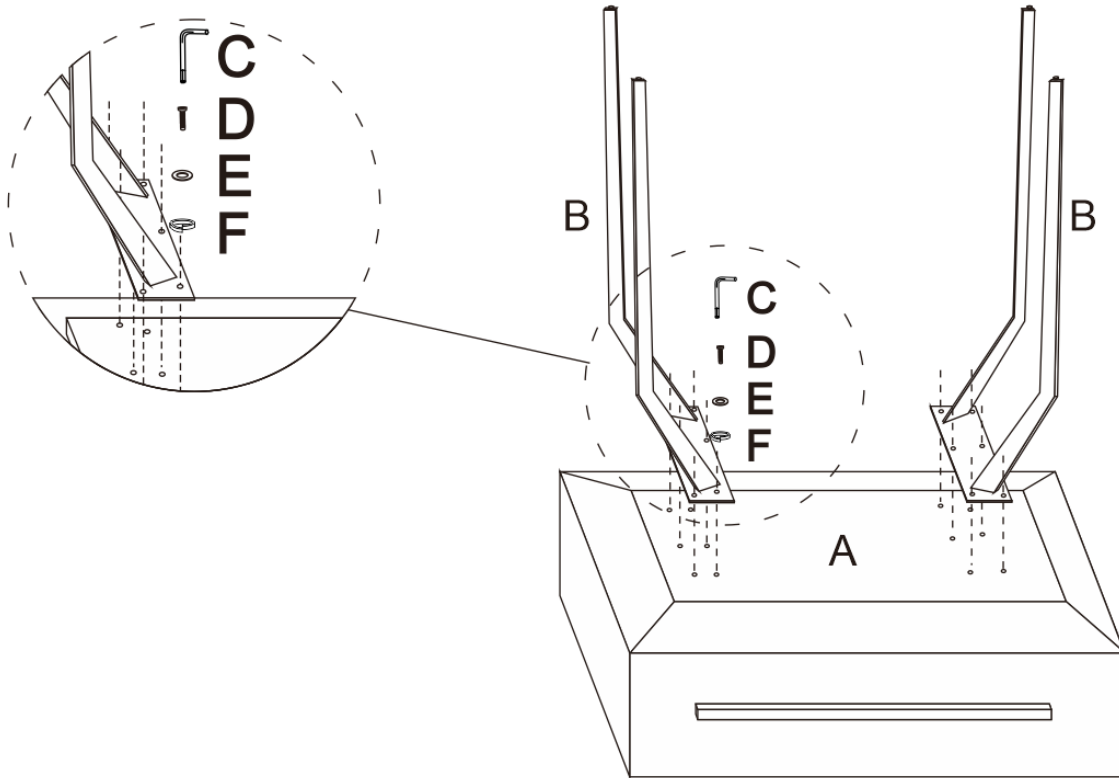


Save all packaging until assembly is completed

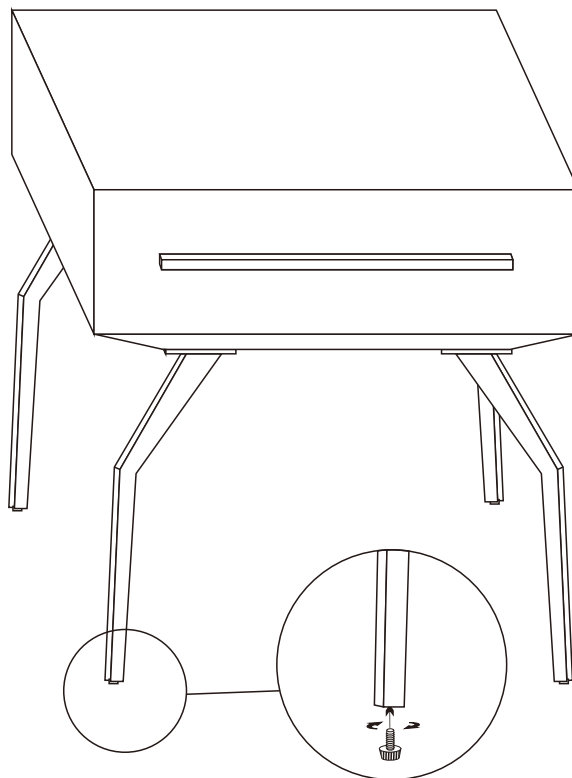
*Need a part? Call TOV at **516-888-3355** or email service@tovfurniture.com*

ASSEMBLY STEPS

STEP 1



STEP 2



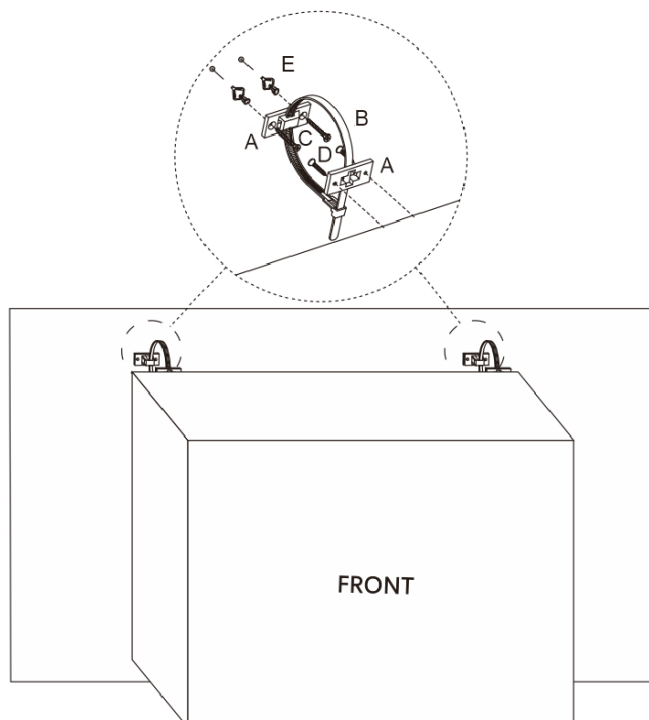
FURNITURE

Furniture Tipping Restraint






- Young children may be injured by tipping furniture and the use of a tipping restraint is highly recommended.
- When properly installed, this restraint may provide protection against the unexpected tipping of furniture. We recommended mounting this restraint to a wall stud.

Installation Instructions:

1. Attach one of the plastic bracket securely at the back of the furniture piece with two short wood screws.
2. Determine the final position of the furniture piece and locate a wall stud behind it. Position the second plastic bracket on the stud approximately 1" below the mounted bracket. Mark and drill pilot hold into the center of the stud with a drill bit. Attach the plastic bracket to the stud with the long wood screws provided.
3. Thread the strap through the brackets as shown in the illustration. Tighten strap until snug. Do not over tighten.



Hardware Enclosed:

A	 Bracket	4pcs
B	 Strap	2pcs
C	 Long 4*60mm	4pcs
D	 Short 4*19mm	4pcs
E	 Plastic Anchor	4pcs

CARE & MAINTENANCE



Do not put hot items directly on furniture surface.



Do not clean furniture with harsh cleansers or polish.



Dust and wipe up spills using a clean, non-colored, lint-free cloth.



Stains may be removed with mild soap solution and a damp cloth.



Do not place furniture under direct sunlight.



Do not place furniture near heating or cooling vents.



Do not write on furniture without a padded barrier to protect the surface.



Do not place furniture outside, for indoor use only.