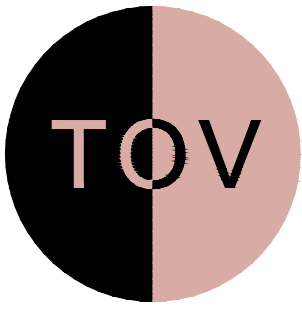
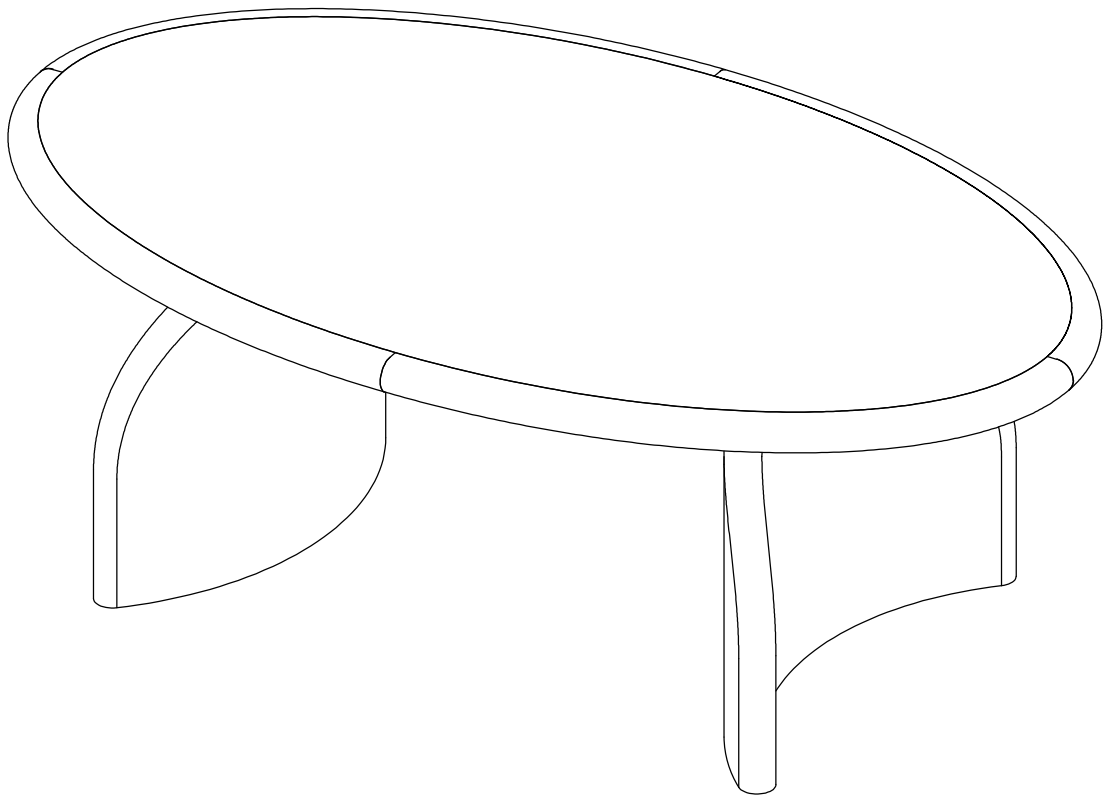


SOFIA TABLE





SOFIA TABLE

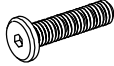


ASSEMBLY INSTRUCTIONS



PARTS LIST

LABEL	PICTURE	DESCRIPTION	QTY
A		TABLE TOP	1
B		LEG	2

HARDWARE

LABEL	PICTURE	DESCRIPTION	QTY
C		Bolt M8 x 50	8
D		Washer Ø16 x Ø8 x 1mm	8
E		Wrench 4 x 60	1

BEFORE BEGINNING ASSEMBLY:



Read instructions cover to cover



Have two adults on hand for assembly



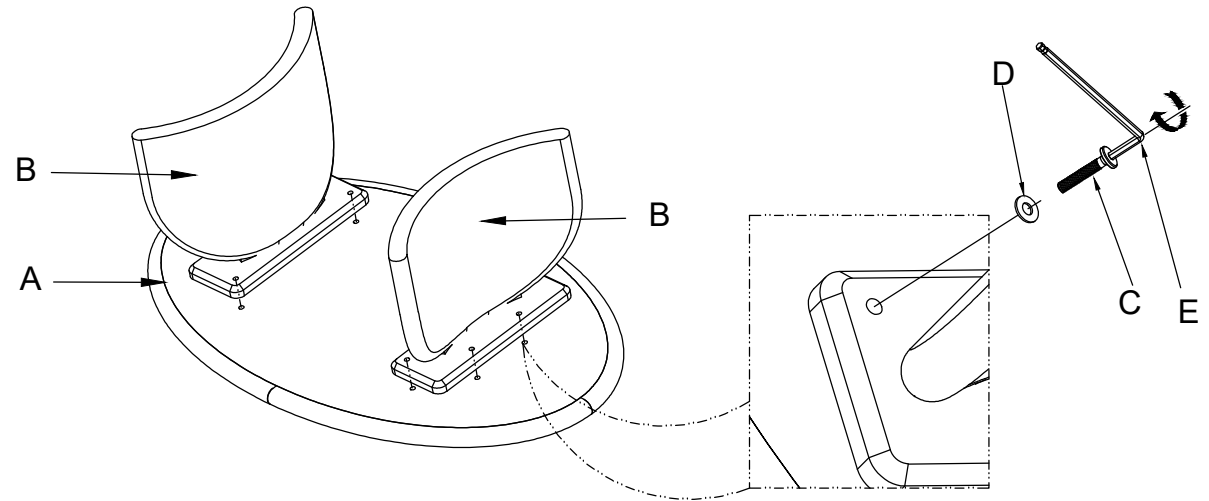
Do NOT assemble on flooring or carpet . Assemble on a clean non-marring surface (ex: packing Foam)



Save all packaging until assembly is completed

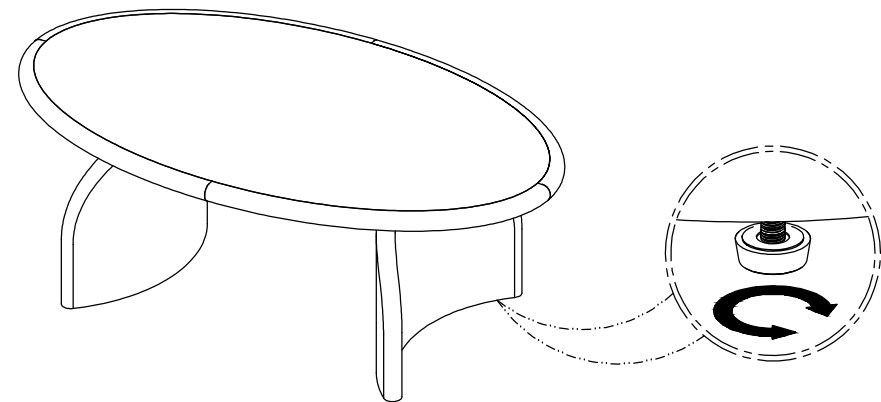
ASSEMBLY STEPS

STEP 1



Using the included hardware, attach the tabletop to the pedestal base as illustrated

STEP 2



The floor glides can be adjusted to ensure the table's stability

CARE & MAINTENANCE



Do not put hot items directly on furniture surface.



Do not clean furniture with harsh cleansers or polish



Dust and wipe up spills using a clean, non-colored, lint-free cloth.



Stains may be removed with a mild soap solution and a damp cloth.



Do not place furniture under direct sunlight.



Do not place furniture near heating or cooling vents.



Do not write on furniture without a padded barrier to protect the surface.



Do not place furniture outside, for indoor use only.

**"Need a part? Call TOV at 516-888-3355 or
email service@tovfurniture.com"**