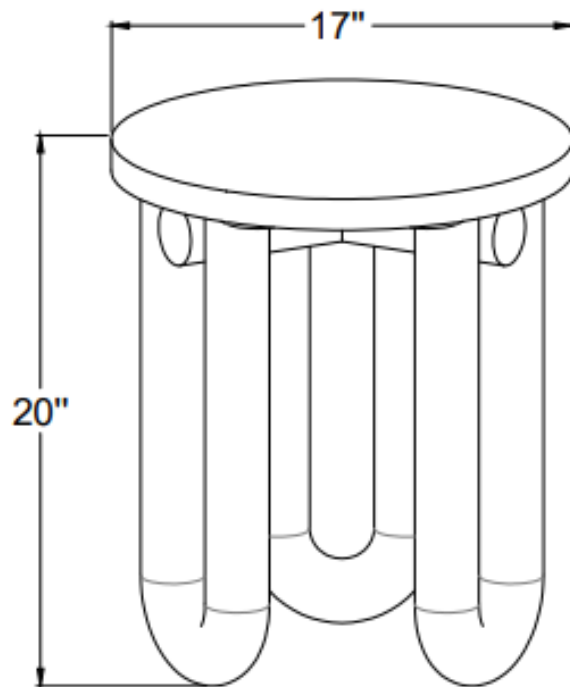


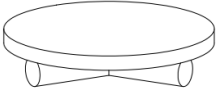
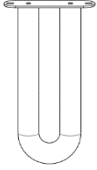


# TILDY

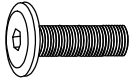


## ASSEMBLY INSTRUCTIONS



## PARTS LIST

LABEL	PICTRUE	DESCRIPTION	QTY
A		TOP	1
B		LEGS	3

## PARTS LIST

LABEL	PICTURE	DESCRIPTION	QTY
C		BOLT M8x25	6
D		ALLEN KEY	1
E		WASHER	6

### BEFORE BEGINNING ASSEMBLY:



*Read instructions cover to cover*



*Have two adults on hand for assembly*



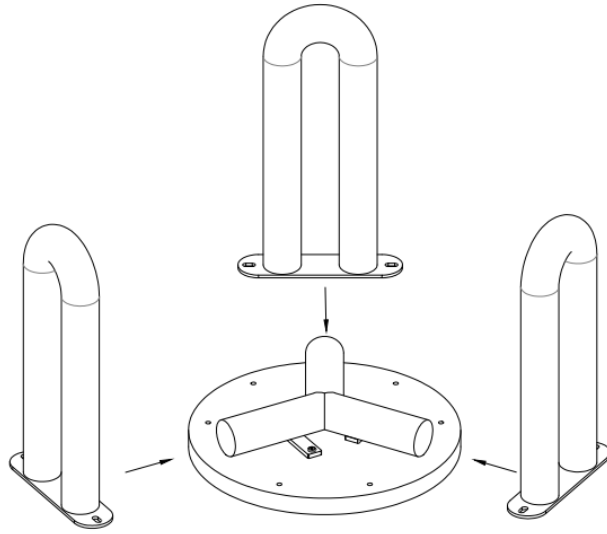
*Do NOT assemble on flooring or carpet. Assemble on a clean non-marring surface (ex: packing foam)*



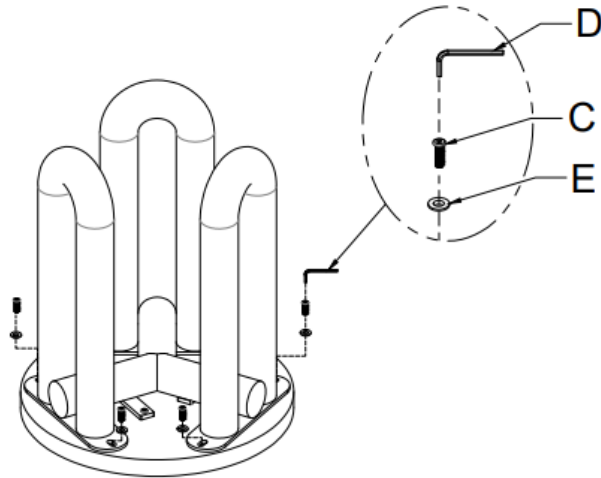
*Save all packaging until assembly is completed*

# ASSEMBLY STEPS

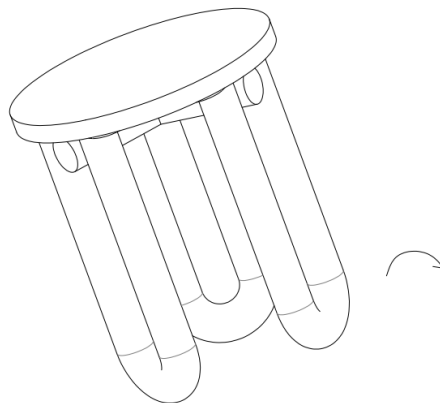
## STEP#1



## STEP#2



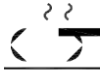
## STEP#3



# CARE & MAINTENANCE

Do not put hot items directly on furniture surface.

Do not clean furniture with harsh cleansers or polish



Dust and wipe up spills using a clean, non-colored, lint-free cloth.



Stains may be removed with a mild soap solution and a damp cloth.

Do not place furniture under direct sunlight.

Do not place furniture near heating or cooling vents.

Do not write on furniture without a padded barrier to protect the surface.

Safe for outdoor, recommend under roof.

"Need a part? Call TOV at 516-888-3355 or  
[email.service@tovfurniture.com](mailto:email.service@tovfurniture.com)"