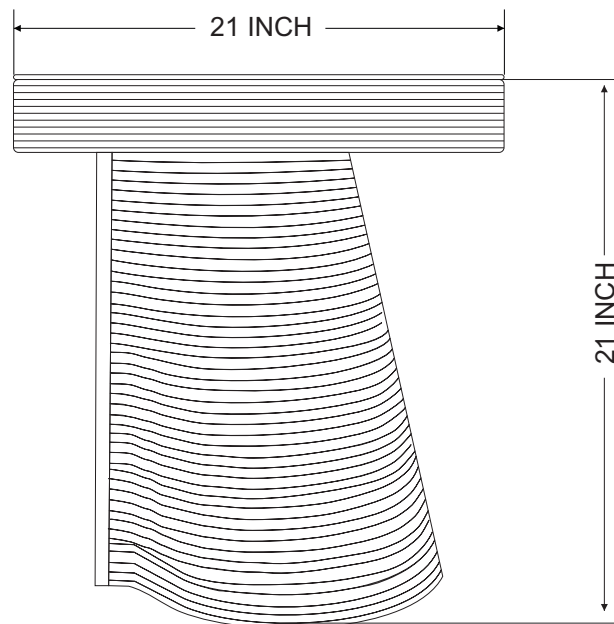
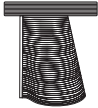



FELICIA TALL LILYPAD  
SIDE TABLE

# FELICIA TALL LILYPAD SIDE TABLE ASSEMBLY INSTRUCTIONS



## PARTS LIST

LABEL	PICTURE	DESCRIPTION	QTY
A		FELICIA TALL LILYPAD SIDE TABLE	1 PCS
B		GLASS 8 MM	1 PCS

## HARDWARE

LABEL	PICTURE	DESCRIPTION	QTY
C		GLASS TOP BUMPERS	7 PCS

### BEFORE BEGINNING ASSEMBLY:



*Read instructions cover to cover*



*Have two adults on hand for assembly*



*Do NOT assemble on flooring or carpet. Assemble on a clean non-marring surface (ex: packing foam)*



*Save all packaging until assembly is completed*

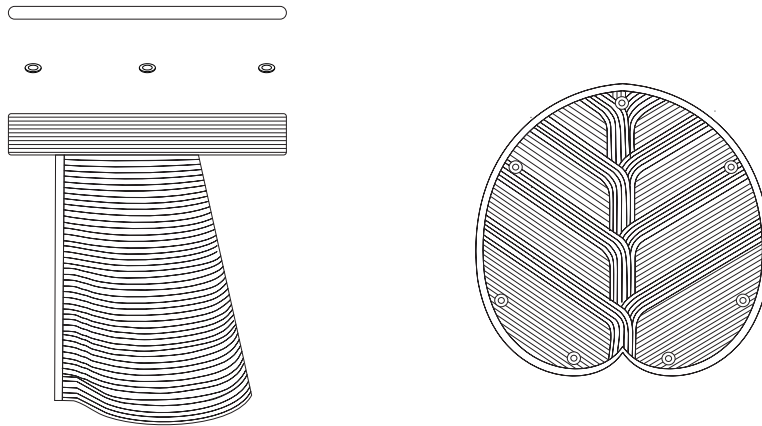
---

# ASSEMBLY STEPS

---

## STEP 1

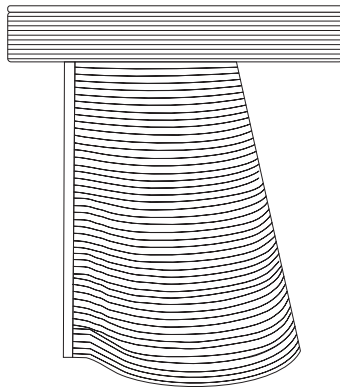
- 1.) Apply the glass bumpers ( C ) on the table top and place the glass on with care.



---

## COMPLETE

---



## CARE & MAINTENANCE



Do not put hot items directly on furniture surface.



Do not clean furniture with harsh cleansers or polish

Dust and wipe up spills using a clean, non-colored, lint-free cloth.

Stains may be removed with a mild soap solution and a damp cloth.



Do not place furniture under direct sunlight.

Do not place furniture near heating or cooling vents.

Do not write on furniture without a padded barrier to protect the surface.

Do not place furniture outside, for indoor use only.

**"Need a part? Call TOV at 516-888-3355 or  
email [service@tovfurniture.com](mailto:service@tovfurniture.com)"**