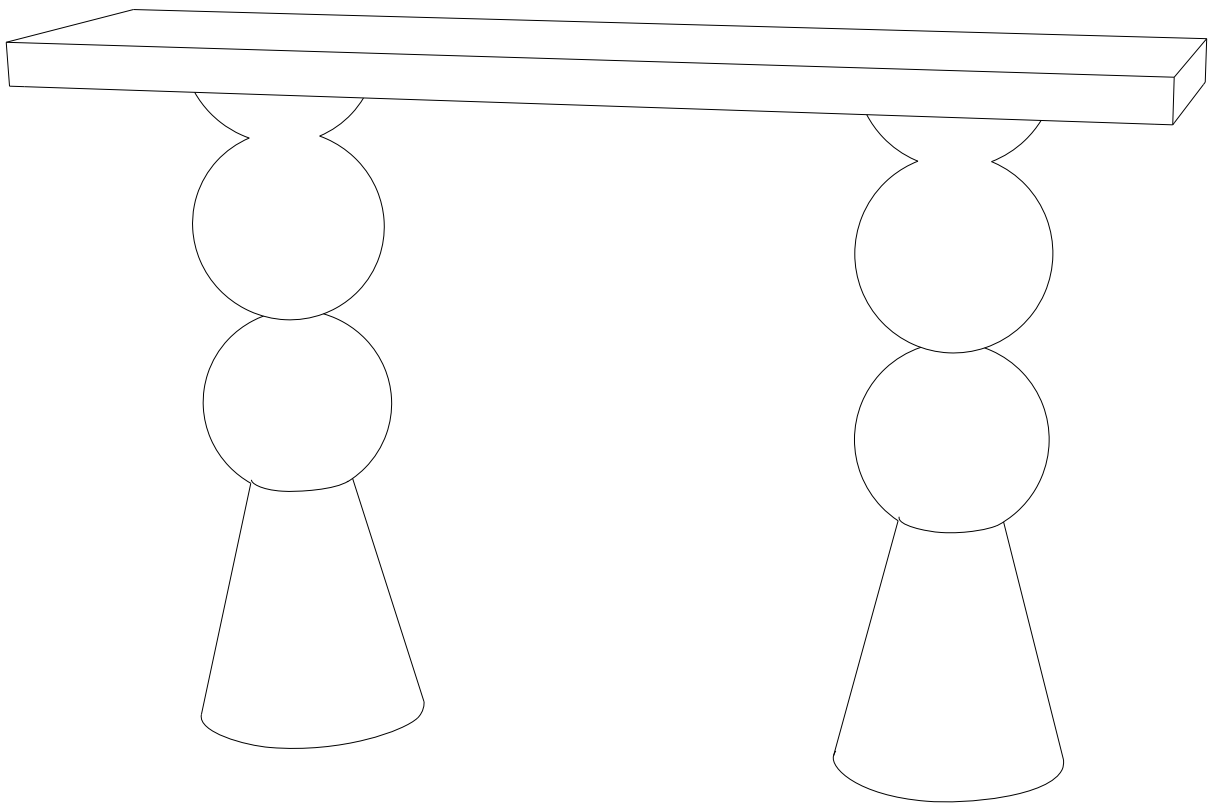


# LUPITA CONSOLE TABLE

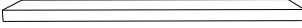
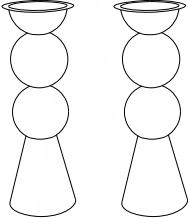


# TOV

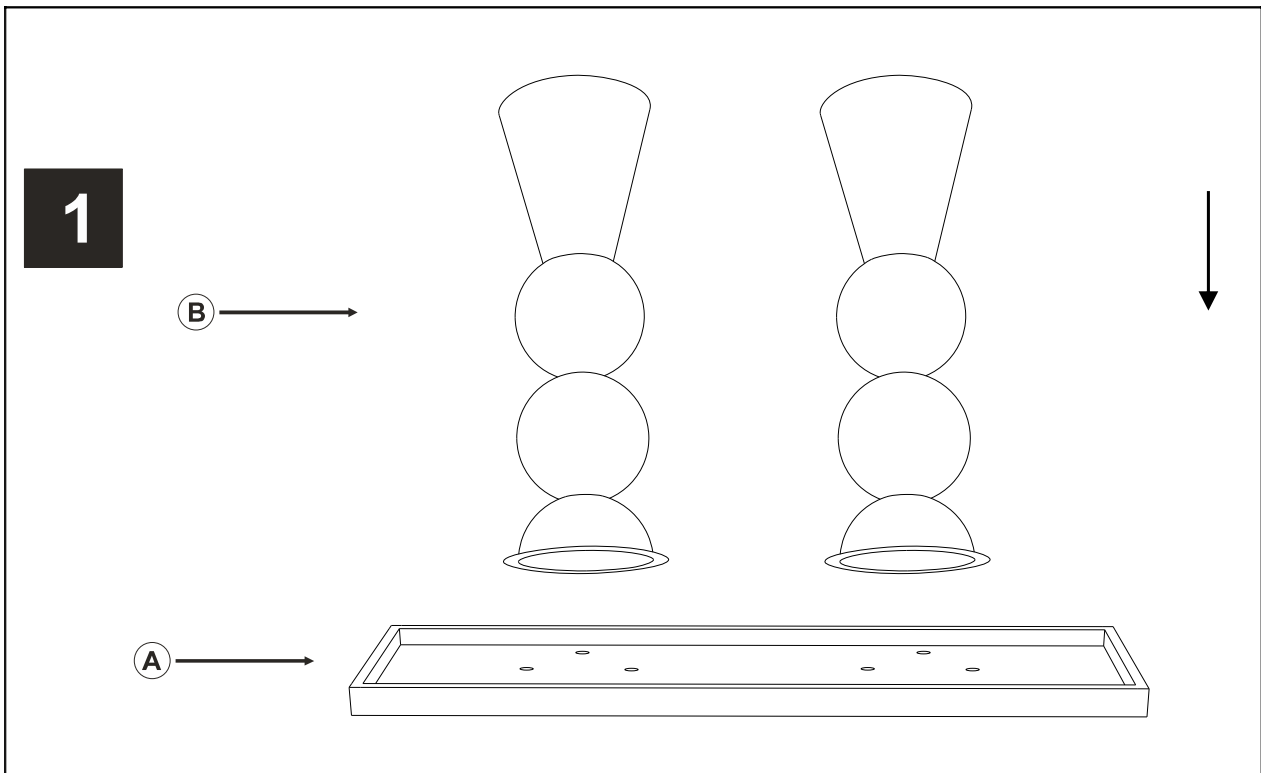
## LUPITA CONSOLE TABLE

ASSEMBLY INSTRUCTION

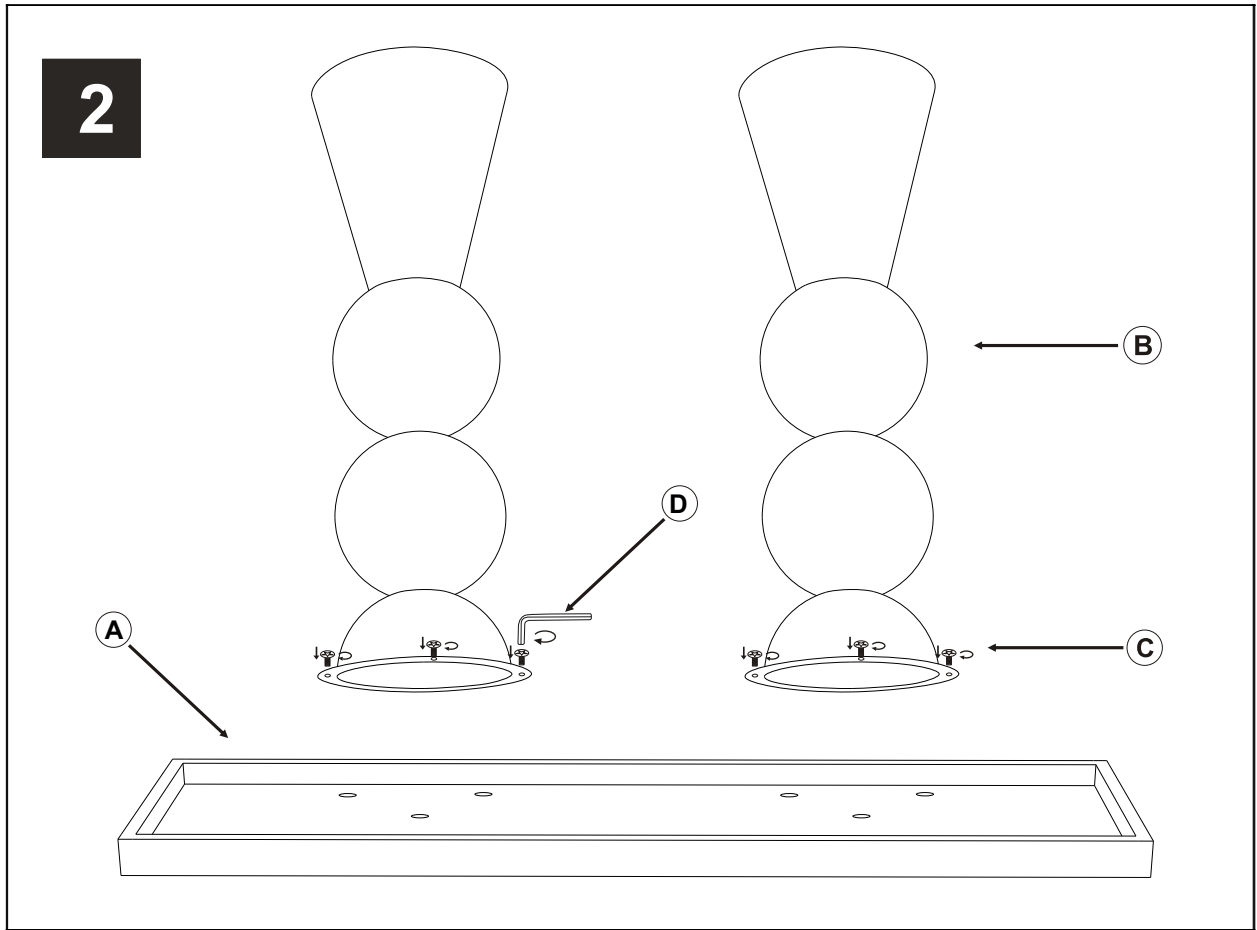


## Part List and Hardware List

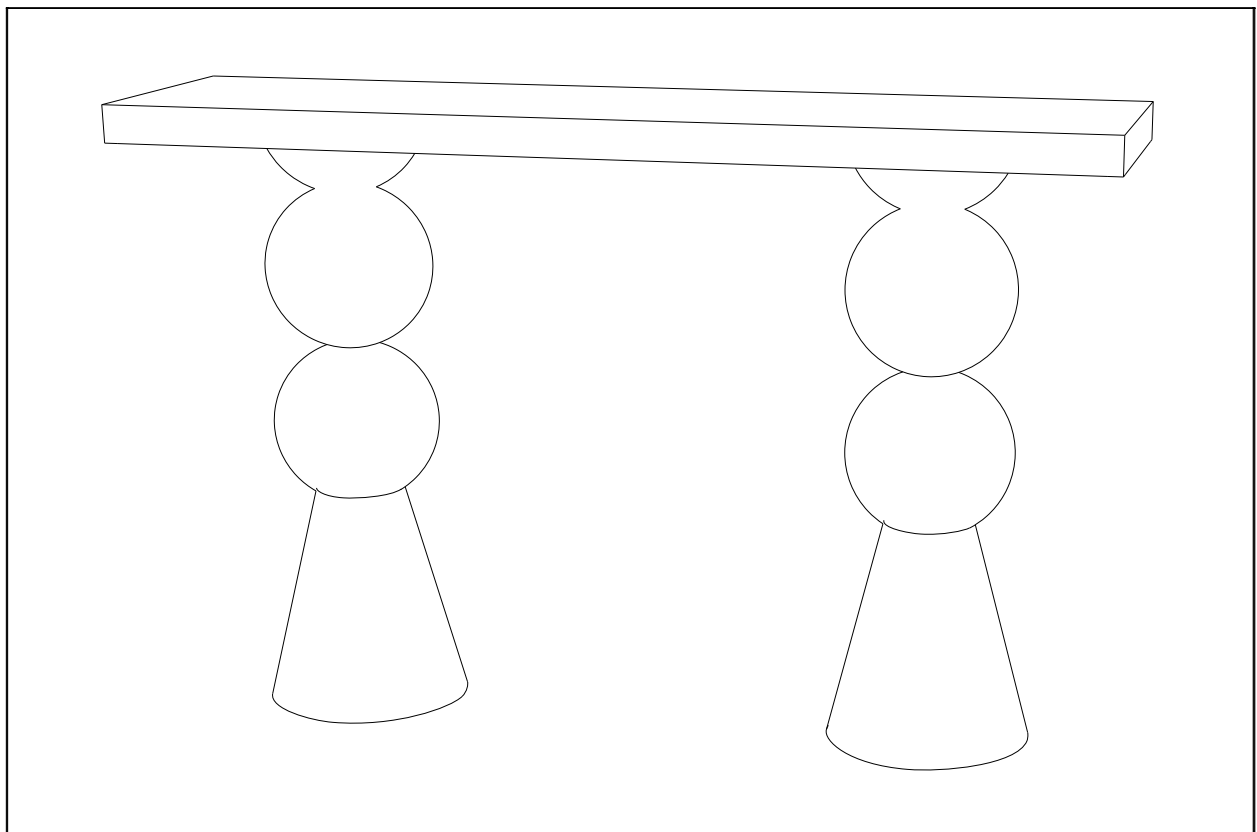
|          | DESCRIPTION      | PICTURE   | QUANTITY |
|----------|------------------|---|----------|
| <b>A</b> | <b>TABLETOP</b>  |   | <b>1</b> |
| <b>B</b> | <b>BASE</b>      |   | <b>2</b> |
| <b>C</b> | <b>SCREW</b>     |    | <b>6</b> |
| <b>D</b> | <b>ALLEN KEY</b> |  | <b>1</b> |



**Place base (B) on top (A)**



**STEP -2: Use the Included Screws ( C ) to attach the base ( B ) to the top ( A )**



# CARE & MAINTENANCE

1. Protect against moisture.
2. Wipe with a clean, lint free cloth.
3. Do not use ammoniated detergents, metal or furniture polish or other abrasive cleaning agents.
4. Avoid spills, wipe up immediately with a dry, clean, lint free cloth.
5. Do not expose to harsh or direct sunlight.
6. Please make sure that you have all parts indicated before you begin assembly of this item.
7. This item should be assembled on a soft surface to prevent scratching the finish during assembly.
8. This item may require periodic tightening.



*Save all packaging until assembly is completed*

*Need a part? Call TOV at 516-888-3355 or email [service@tovfurniture.com](mailto:service@tovfurniture.com)*