

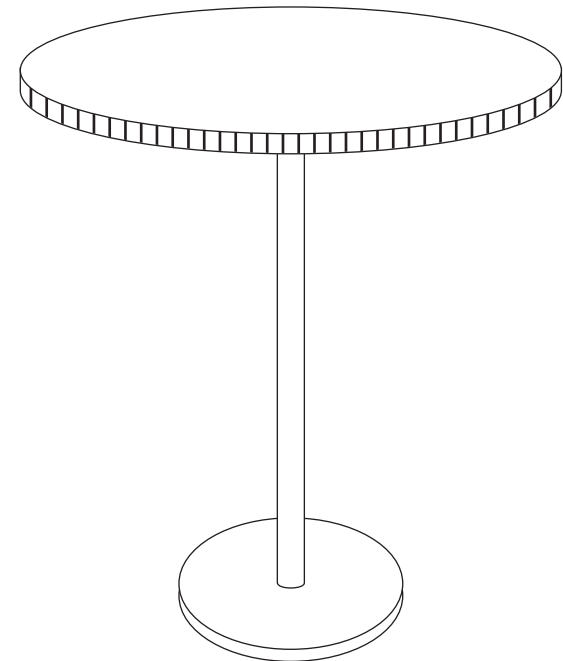
CARE & MAINTENANCE

1. Protect against moisture.
2. Wipe with a clean, lint free cloth.
3. Do not use ammoniated detergents, metal or furniture polish or other abrasive cleaning agents.
4. Avoid spills, wipe up immediately with a dry, clean, lint free cloth.
5. Do not expose to harsh or direct sunlight.
6. Please make sure that you have all parts indicated before you begin assembly of this item.
7. This item should be assembled on a soft surface to prevent scratching the finish during assembly.
8. This item may require periodic tightening.

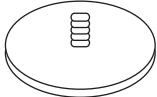

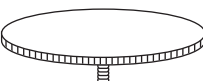
Fiona Marble Side Table
TOV-OC18350

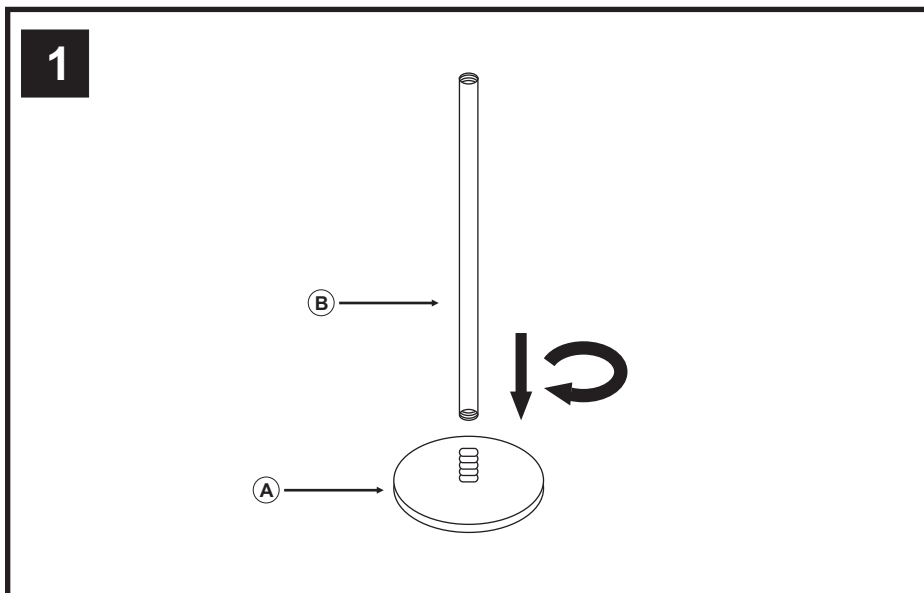
TOV

Fiona Marble Side Table
ASSEMBLY INSTRUCTIONS



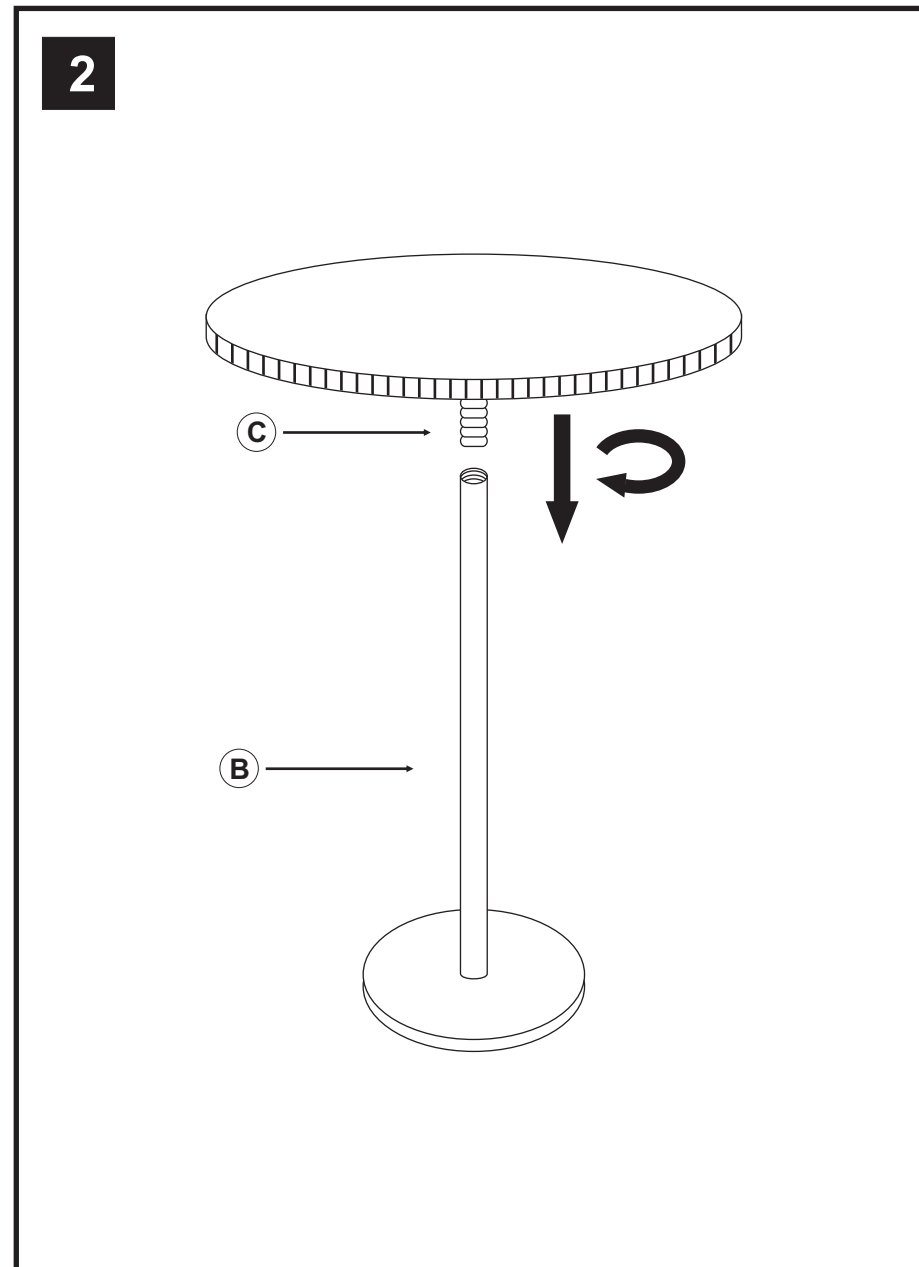
Part List and Hardware List

	DESCRIPTION	PICTURE	QUANTITY
A	METAL BASE		1
B	METAL ROD		1
C	STONE TOP		1



STEP -1: PUT ROD (B) ON BASE (A)

STEP -2: ROTATE ROD (B) CLOCKWISE TO FIX ON BASE (A)



STEP -3: PUT TOP (C) ON ROD (B)

STEP -4: ROTATE TOP (C) CLOCKWISE TO FIX ON ROD (B)

STEP -5: TABLE IS READY TO USE.