

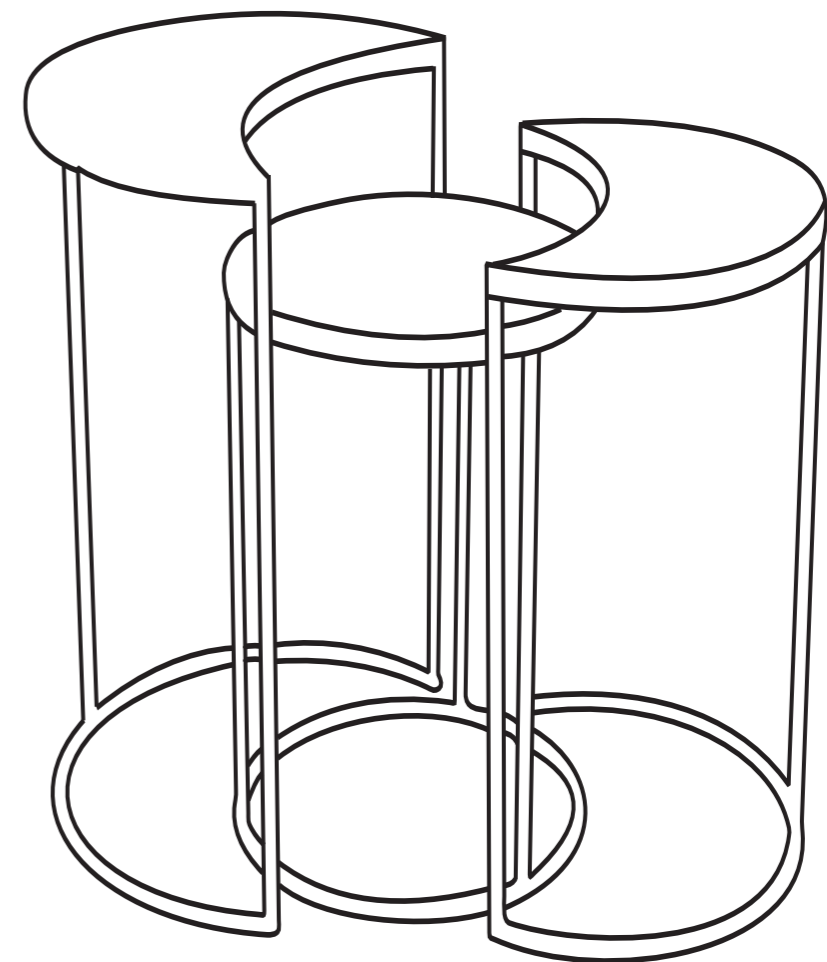
CARE & MAINTENANCE

1. Do not use acids or alkaline cleaning agents.
2. Sharp objects will damage and scratch the surface.
3. Wipe the surface with a soft, damp cloth.
4. Please make sure that you have all parts indicated before you begin assembly of this item
5. This item should be assembled on a soft surface to prevent scratching the finish during assembly

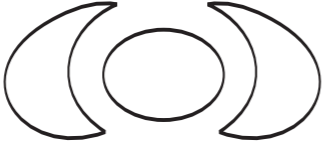
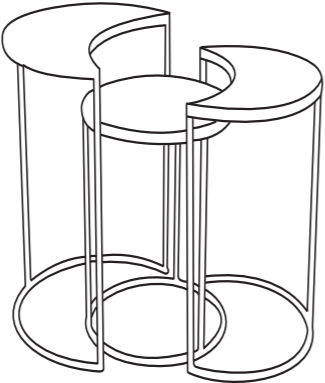
Crescent Nesting Tables
TOV-OC18310

TOV

Crescent Nesting Tables Assembly Instruction



Part List and Hardware List

	DESCRIPTION	PICTURE	QUANTITY
A	Marble Top		3
B	Base Table		3

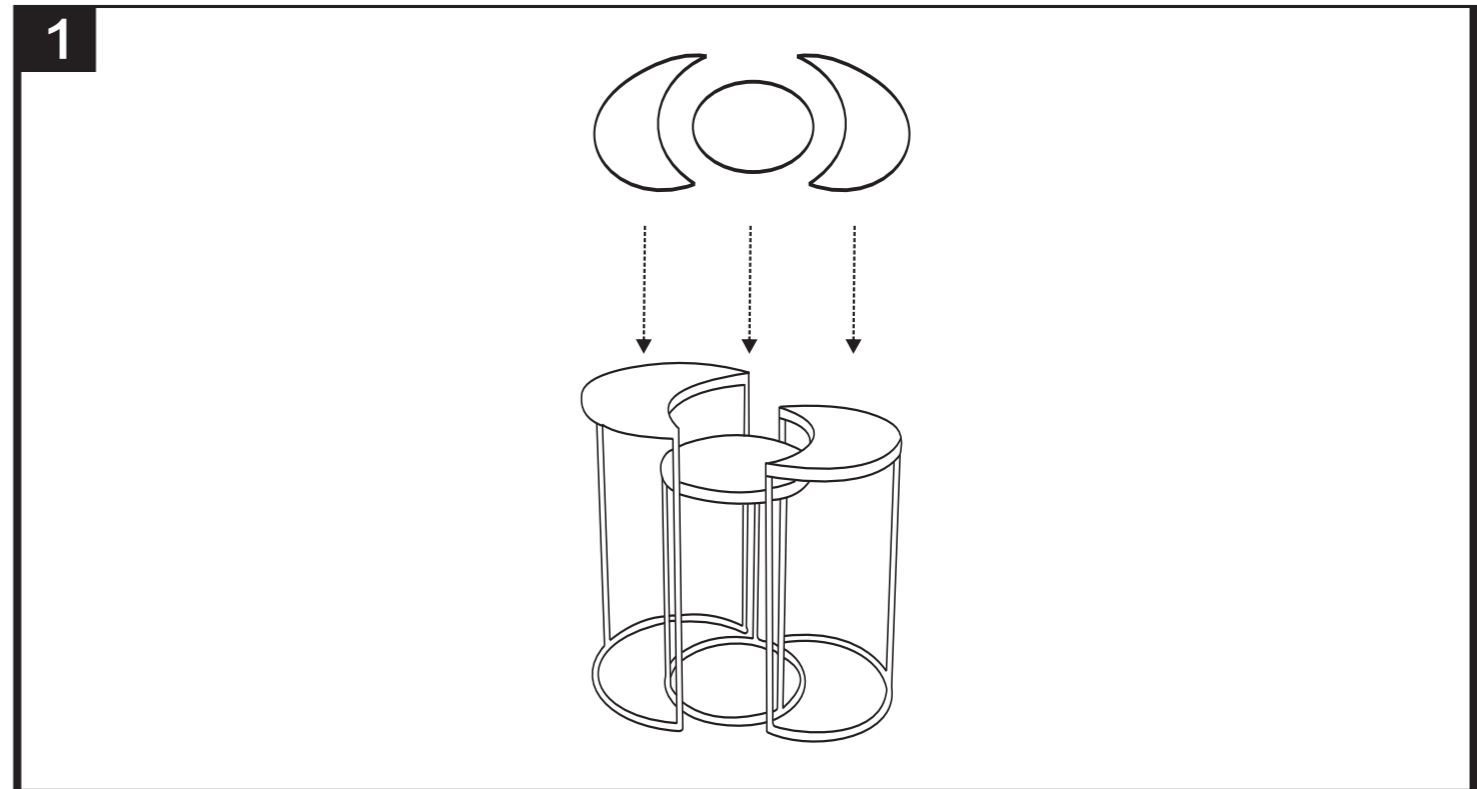
PREPARATION

Before beginning assembly of product, make sure all parts are present.

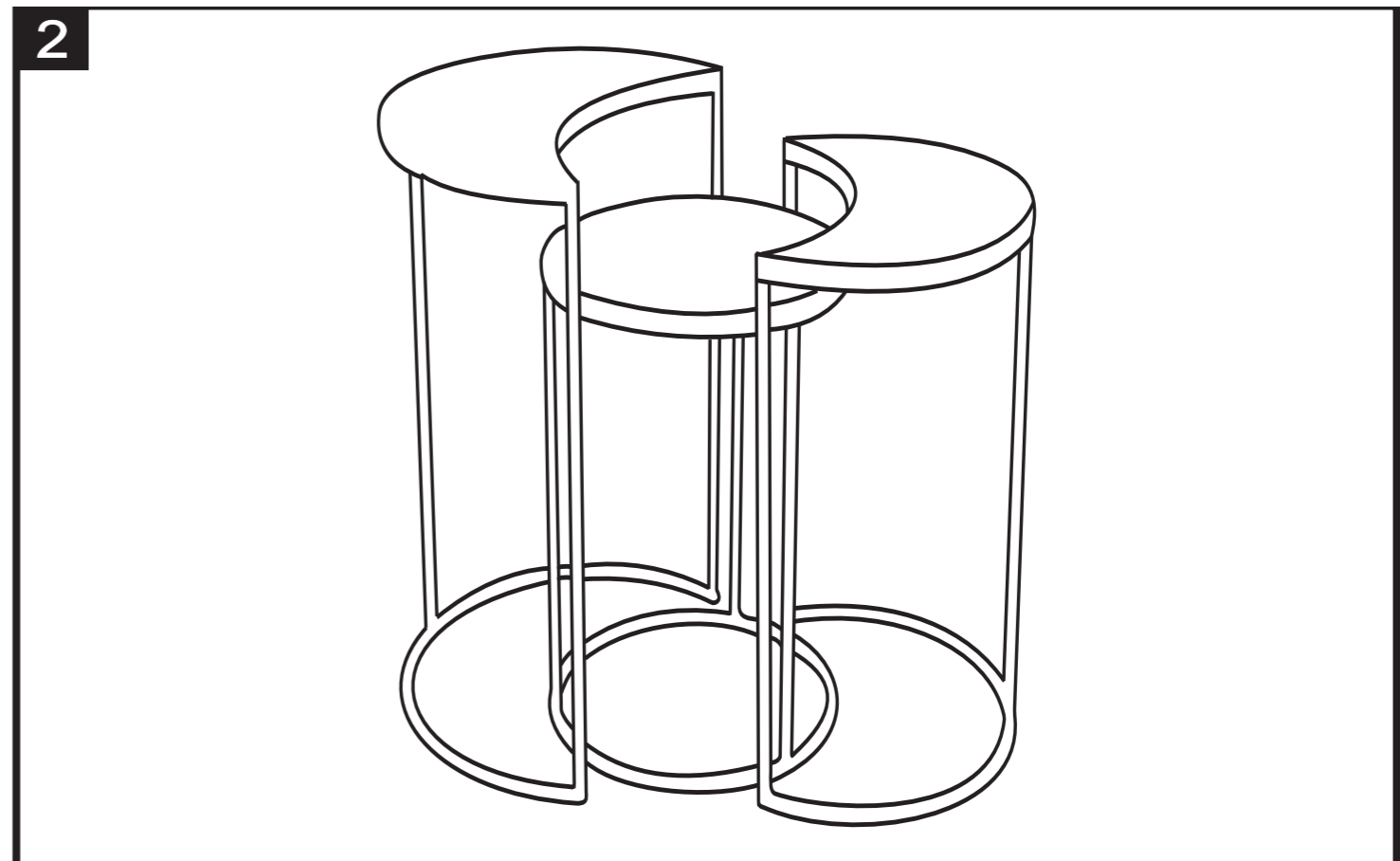
Compare parts with package contents list and hardware contents list.

If any part is missing or damaged, do not attempt to assemble the product.

Estimated Assembly Time: 5 minutes.



Step 1 : Place The Marble Table Top (A) on Table Base (B)



Step 2 : Table is ready for use.