

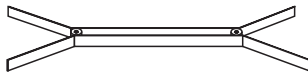


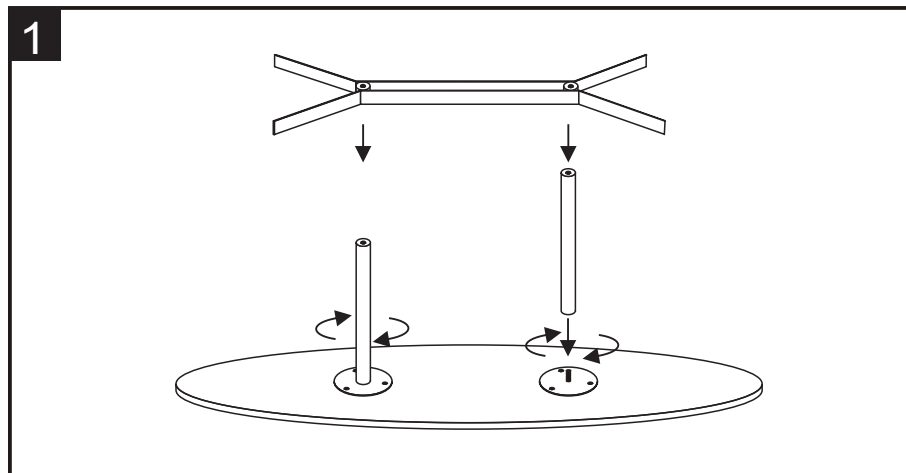


Part List and Hardware List

| PRICE | DESCRIPTION | PICTURE | QUANTITY |
|-------|-------------|---|----------|
| A | TABLE TOP |  | 1X |
| B | LEGS |  | 2X |
| C | BASE |  | 1X |
| D | Wrench |  | 1x |
| E | Bolt |  | 2x |

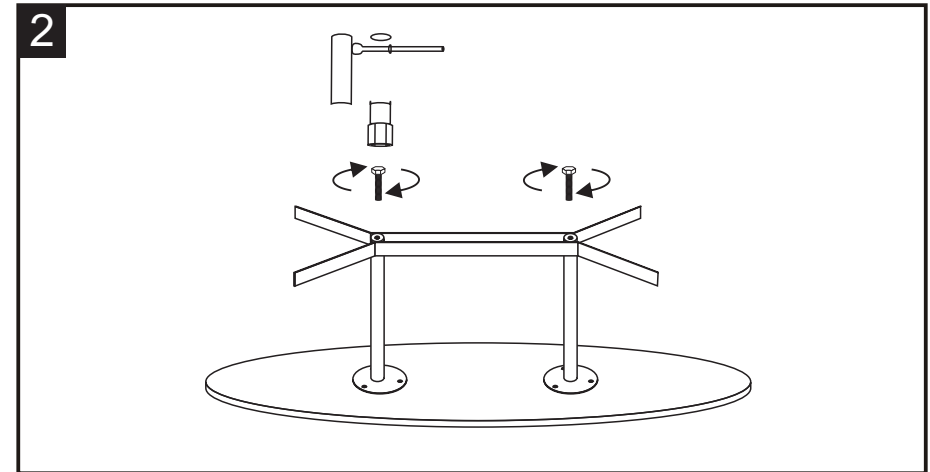
PREPARATION

Before beginning assembly of product, make sure all parts are present. Compare parts with package contents list and hardware contents list. If any part is missing or damaged, do not attempt to assemble the product. Estimated Assembly Time: 10 minutes.



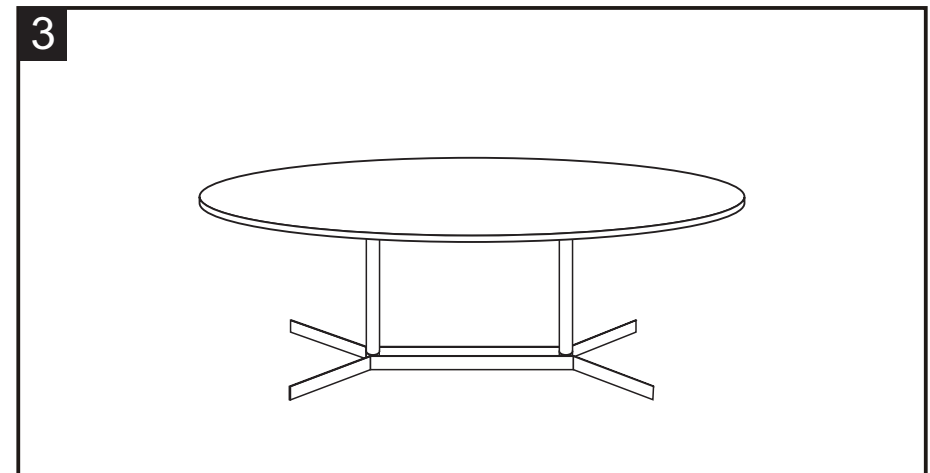
Step - 1

Install the legs (B) to the table top (A) by turning them clockwise.



Step 2

Place the base (C) on the legs and thread the bolts (E) with the help of Wrench (D)



Step 3

Turn over the table for use

CARE AND MAINTENANCE

1. Do not use acids or alkaline cleaning agents.
2. Sharp objects will damage and scratch the surface.
3. Wipe the surface with a soft, damp cloth.
4. Please make sure that you have all parts indicated before you begin assembly of this item
5. This item should be assembled on a soft surface to prevent scratching the finish during assembly
6. This item may require periodic tightening

GEMMA BLACK MARBLE COFFEE TABLE
TOV - OC18162

TÖV
FURNITURE

GEMMA ASSEMBLY INSTRUCTIONS

