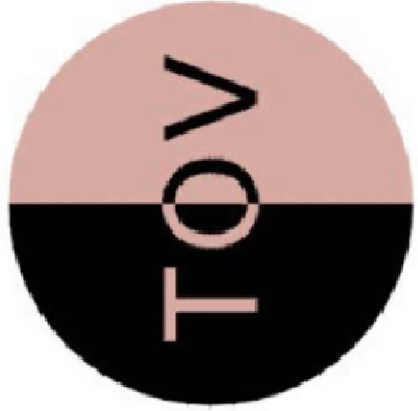
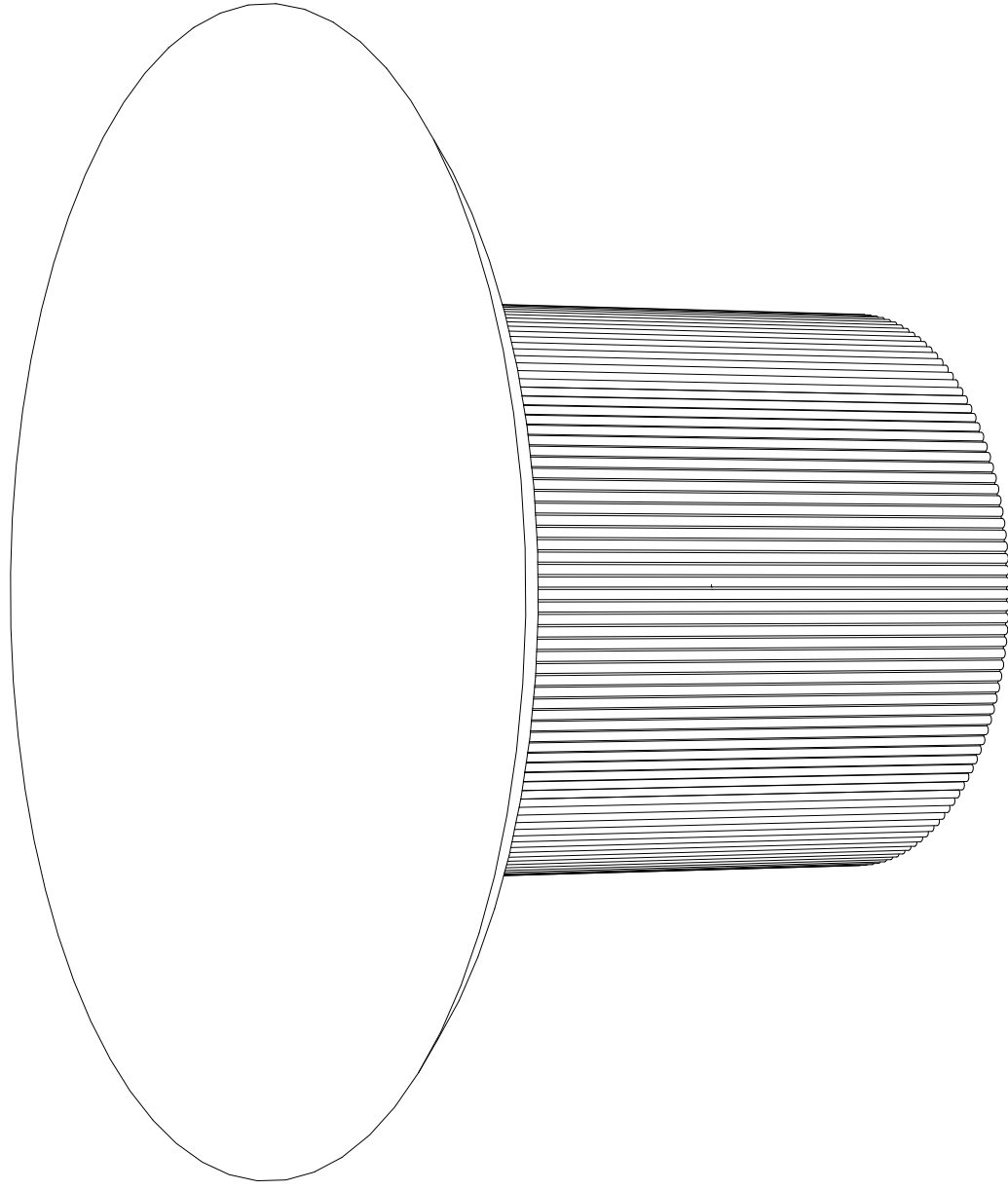


**ROSE TERRAZZO AND TERRACOTTA
ROUND DINING TABLE**


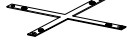



ROSE





ASSEMBLY INSTRUCTIONS



PARTS LIST

| LABEL | PICTURE | DESCRIPTION | QTY |
|-------|---|------------------|-----|
| A |  | TOP | 1 |
| B |  | CONNECTION PIECE | 1 |
| C |  | LEG | 1 |

HARDWARE

| LABEL | PICTURE | DESCRIPTION | QTY |
|-------|---|----------------------|-----|
| D |  | WASHER Ø22xØ8x2mm | 4 |
| E |  | SCREW M8x15 | 4 |
| F |  | SCREW M8x25 | 4 |
| G |  | WRENCH M4x60 | 1 |

BEFORE BEGINNING ASSEMBLY:



Read instructions cover to cover



Have two adults on hand for assembly



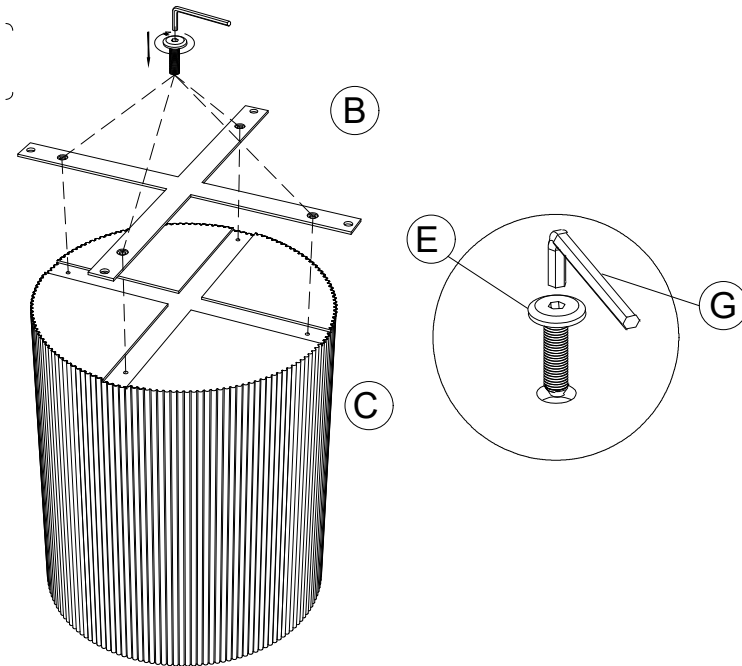
Do NOT assemble on flooring or carpet. Assemble on a clean non-marring surface (ex: packing foam)



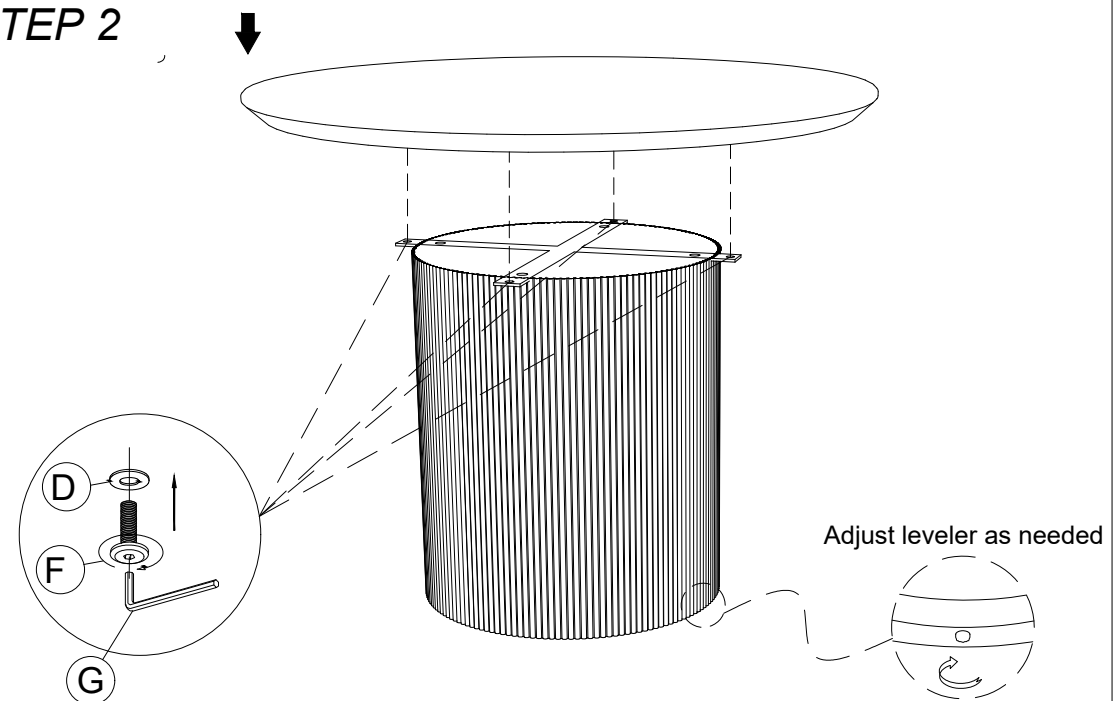
Save all packaging until assembly is completed

ASSEMBLY STEPS

STEP 1



STEP 2



CARE & MAINTENANCE



Do not put hot items directly on furniture surface.



Do not clean furniture with harsh cleansers or polish



Dust and wipe up spills using a clean, non-colored, lint-free cloth.



Stains may be removed with a mild soap solution and a damp cloth.



Do not place furniture under direct sunlight.



Do not place furniture near heating or cooling vents.



Do not write on furniture without a padded barrier to protect the surface.



Do not place furniture outside, for indoor use only.

"Need a part? Call TOV at 516-888-3355 or
email service@tovfurniture.com"