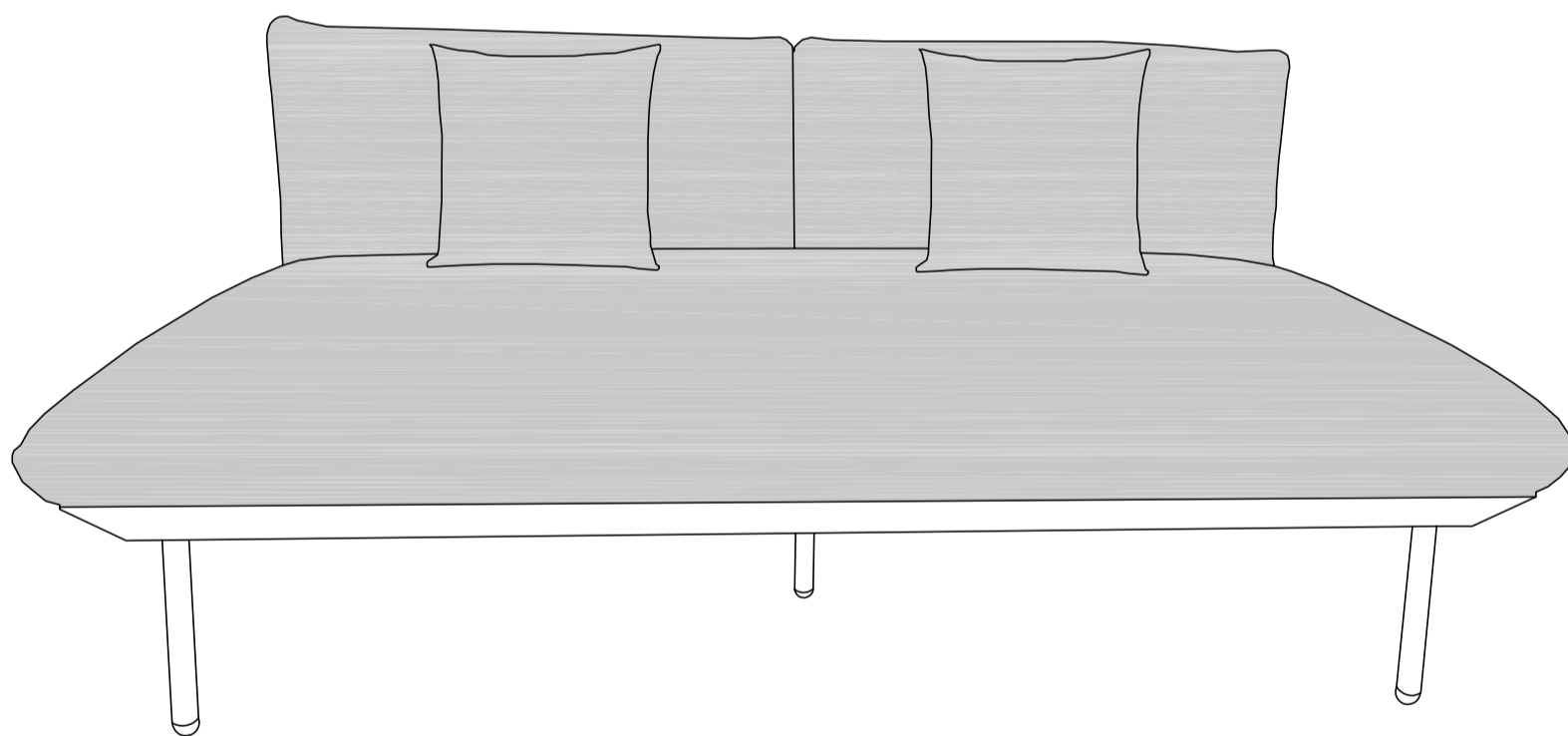


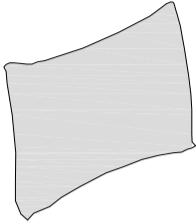
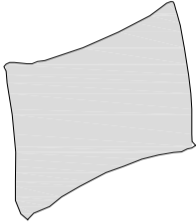
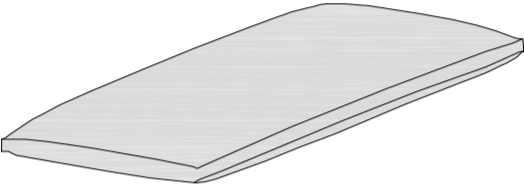

Katti Outdoor Loveseat

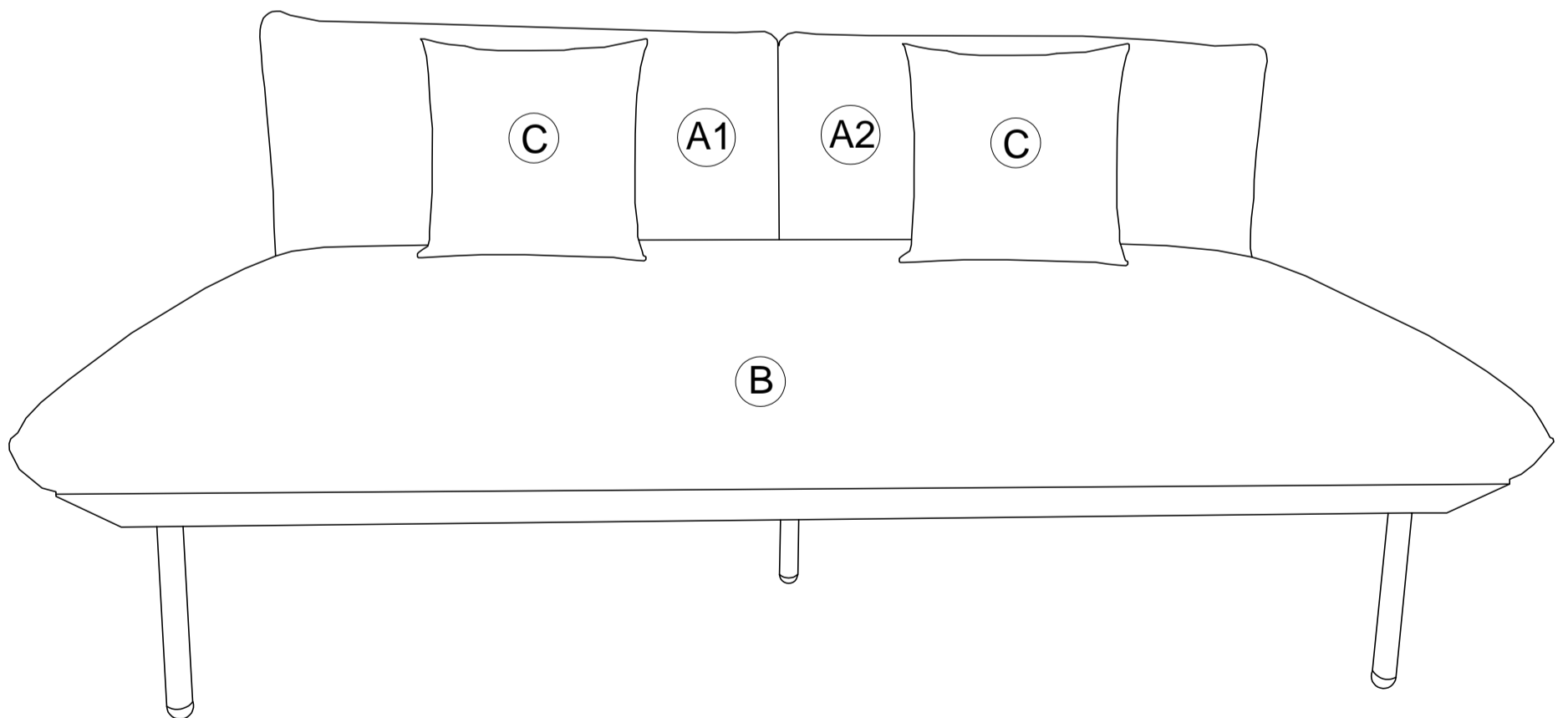
Katti

ASSEMBLY INSTRUCTIONS

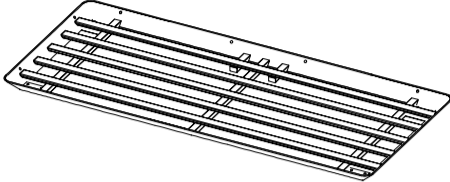
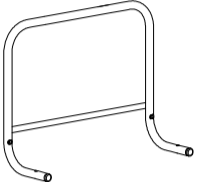
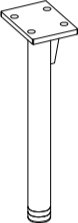
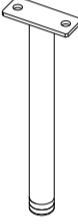
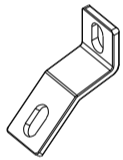


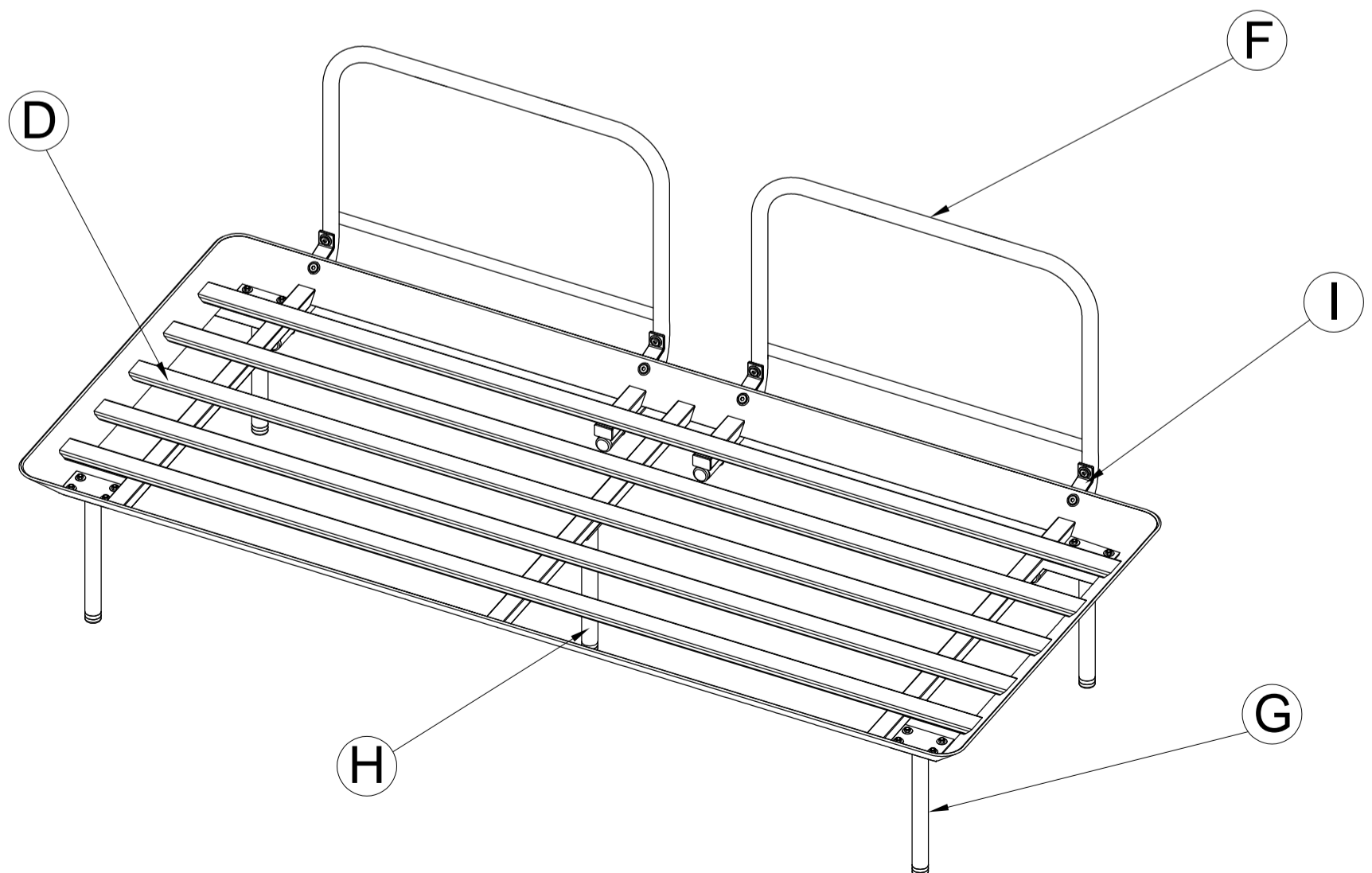
PARTS LIST

LABEL	PICTURE	DESCRIPTION	QTY
A1		LEFT BACK CUSHION	1
A2		RIGHT BACK CUSHION	1
B		SEAT CUSHION	1
C		PILLOWS	2

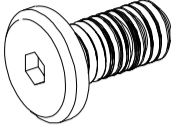
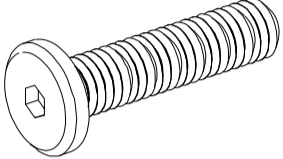


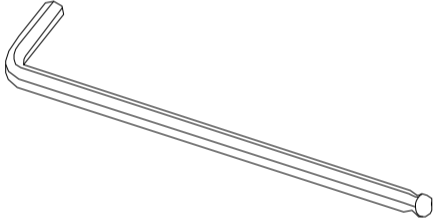
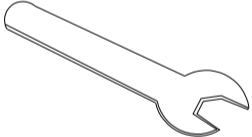
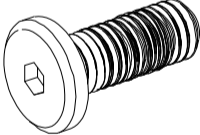



PARTS LIST

LABEL	PICTURE	DESCRIPTION	QTY
D		SEAT FRAME	1
F		BACK FRAMES	2
G		LEGS	4
H		MIDDLE LEG	1
I		BRACKET	4

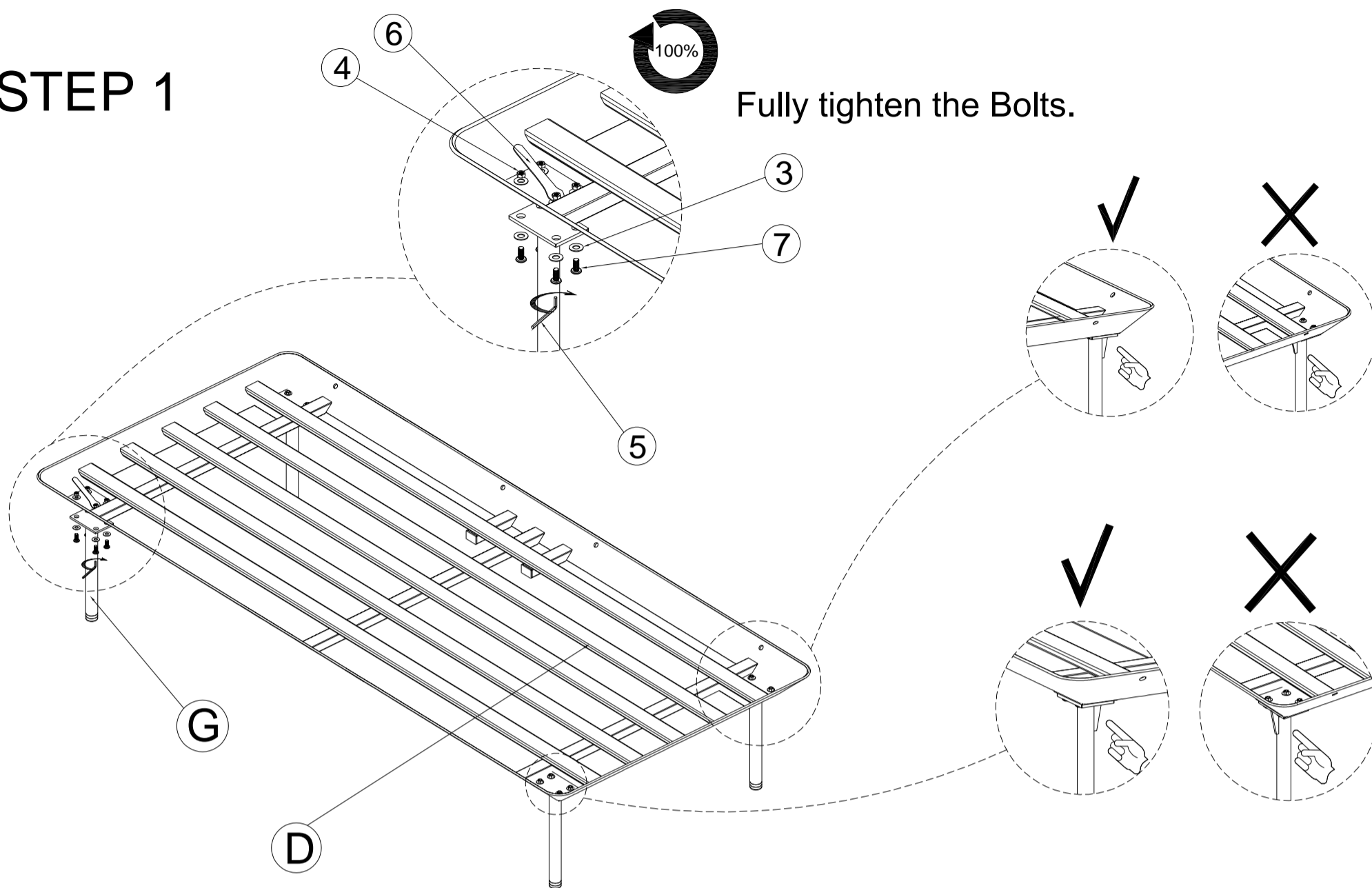


HARDWARE

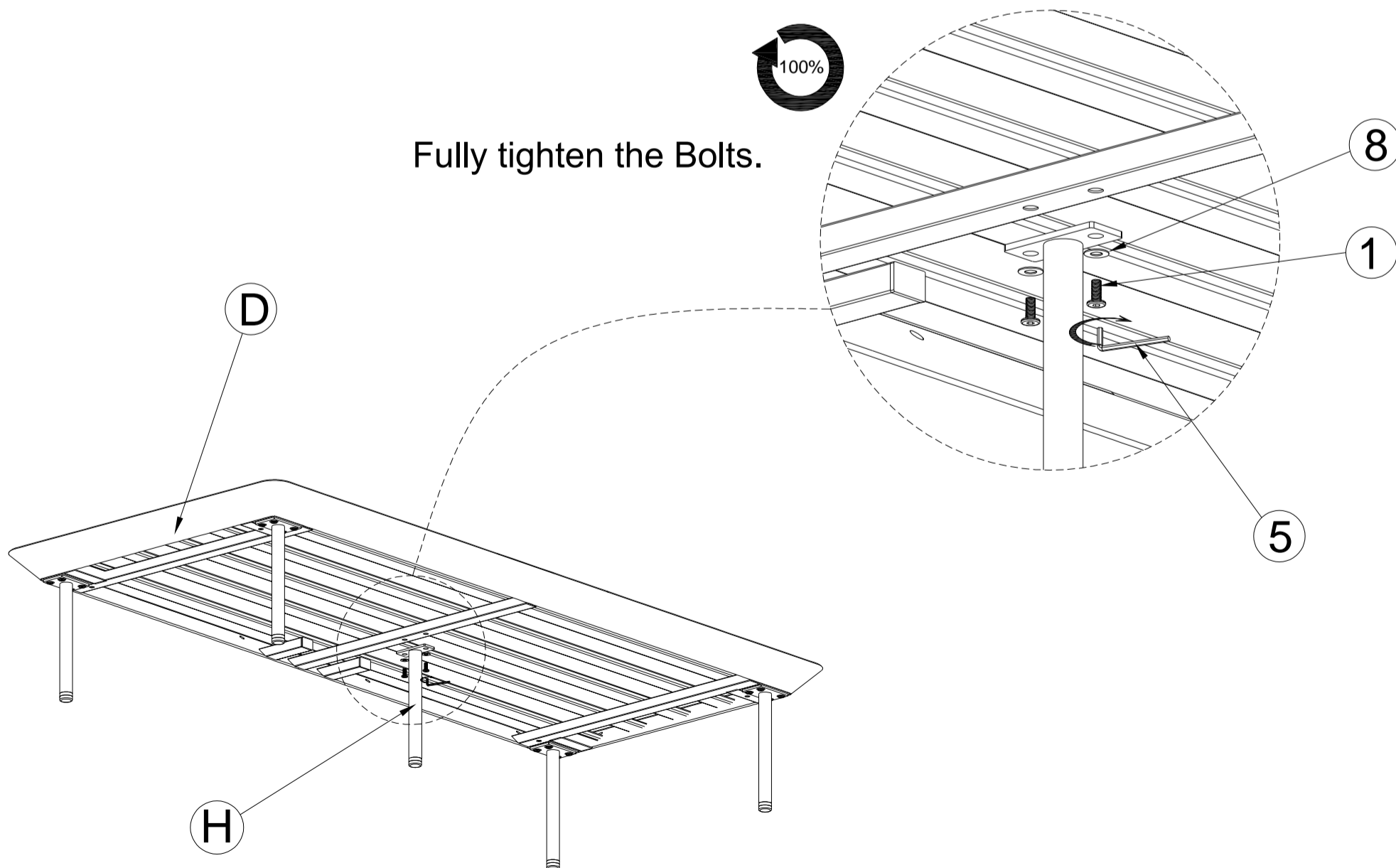
LABEL	PICTURE	DESCRIPTION	QTY
1		F-BOLT 6.00x15.00	10
2		F-BOLT 6.00x40.00	04
3		PLAIN WASHER Ø14x1	32
4		LOCK NUT 6.00x6.00	20
5		ALLEN KEY	2
6		SPANDER 10.00x76.00	2
7		F-BOLT 6.00x20.00	16
8		PLAIN WASHER Ø18x1	18

ASSEMBLY STEPS

STEP 1

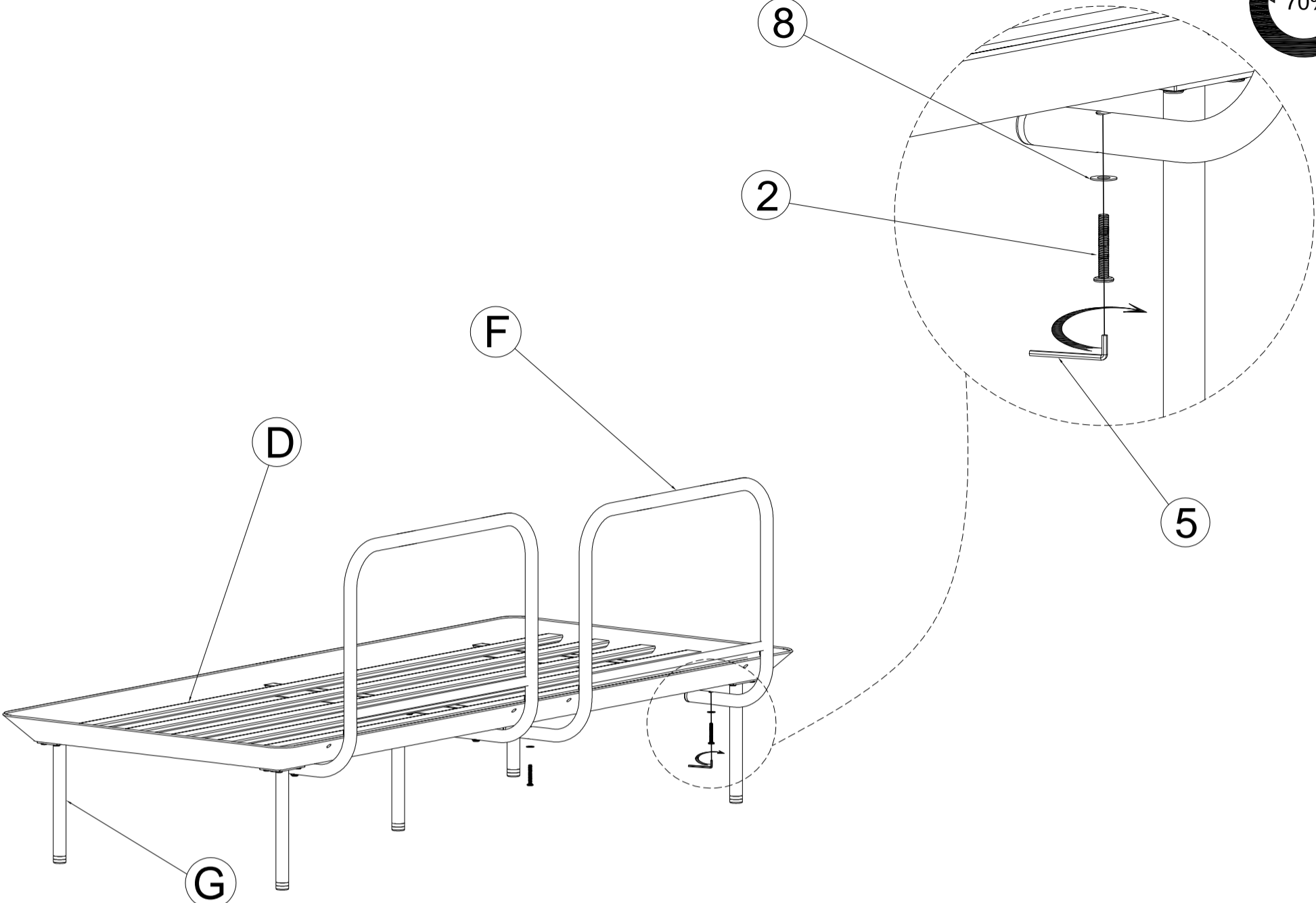
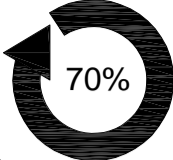


STEP 2



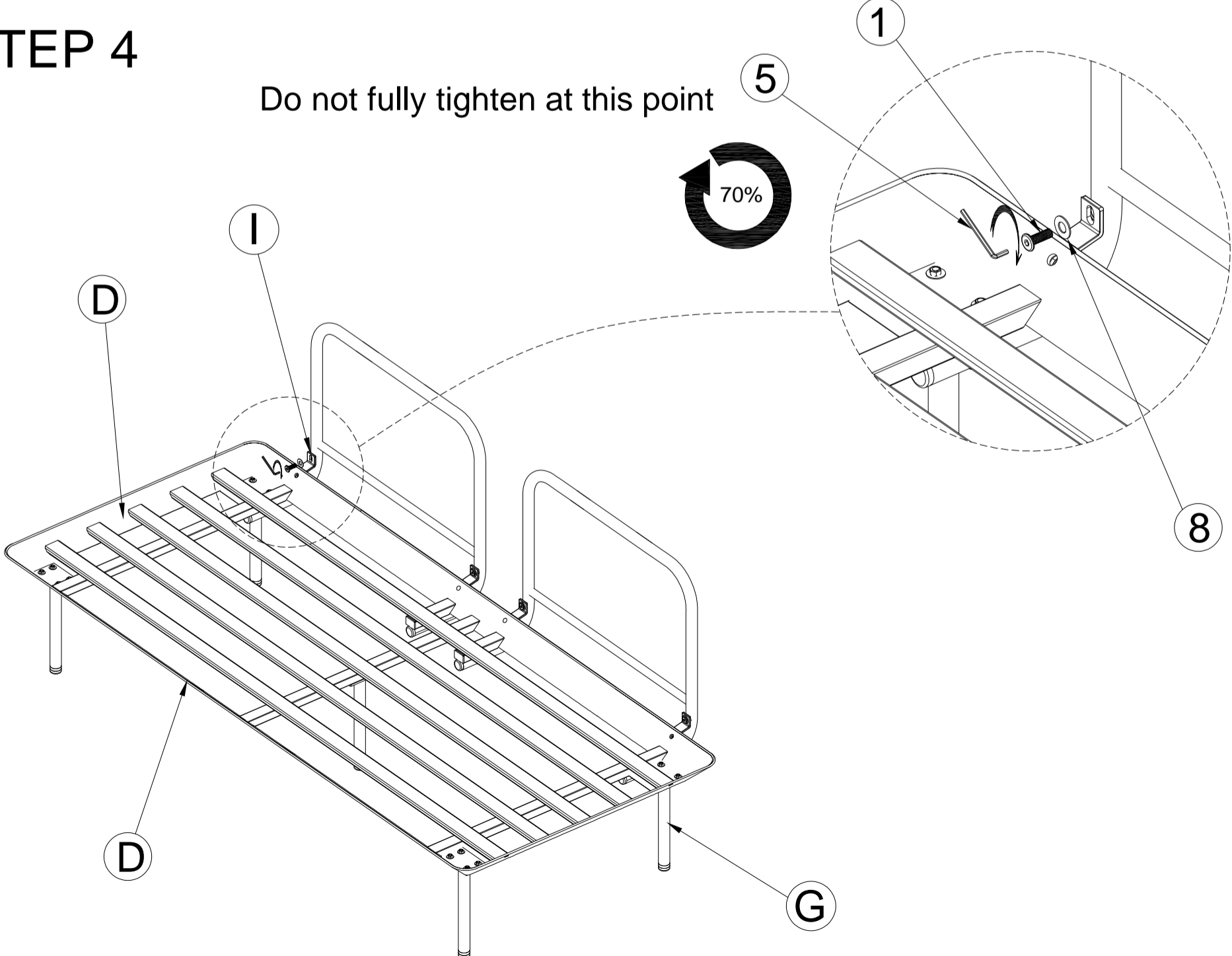
STEP 3

Do not fully tighten at this point

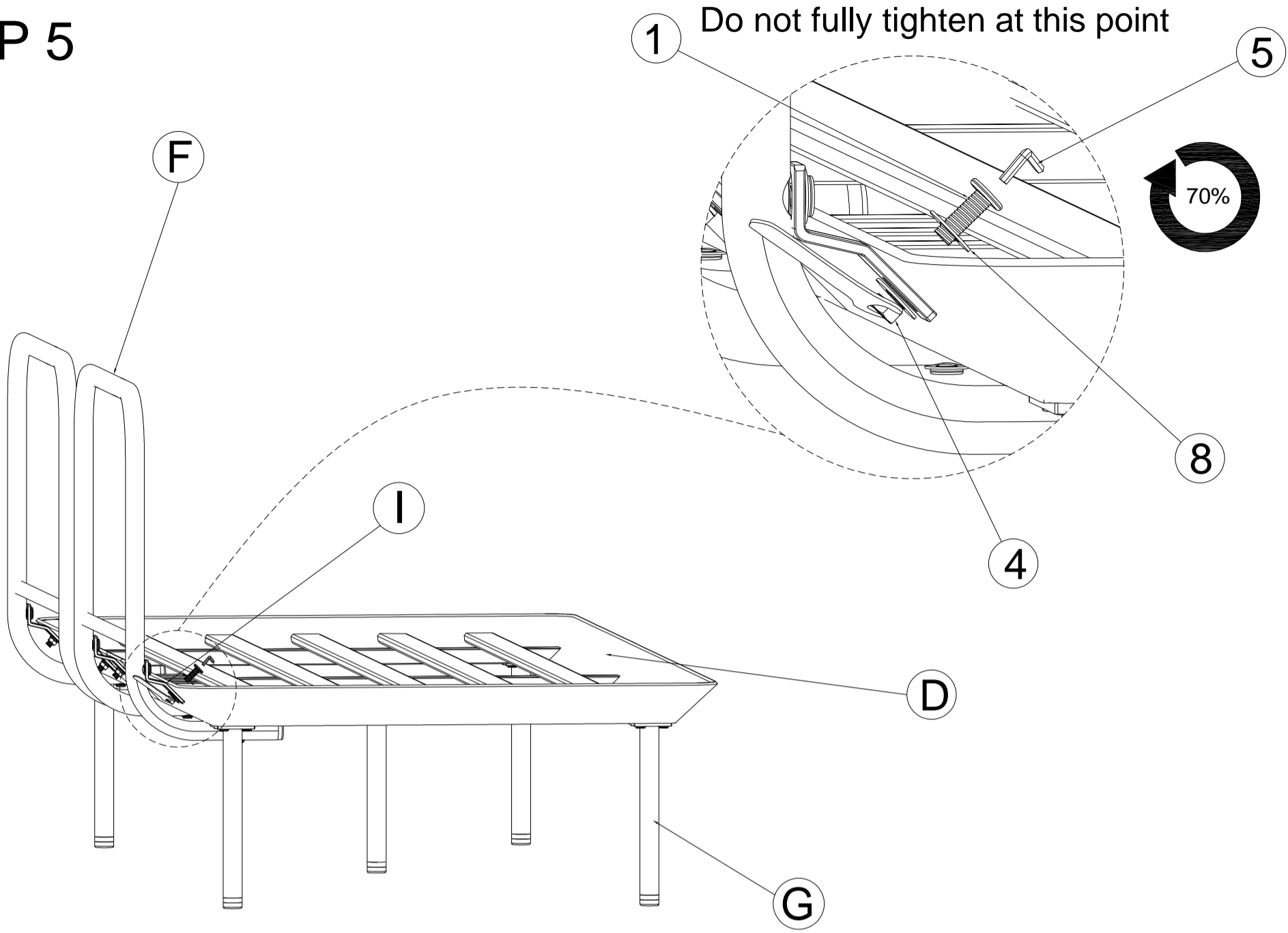


STEP 4

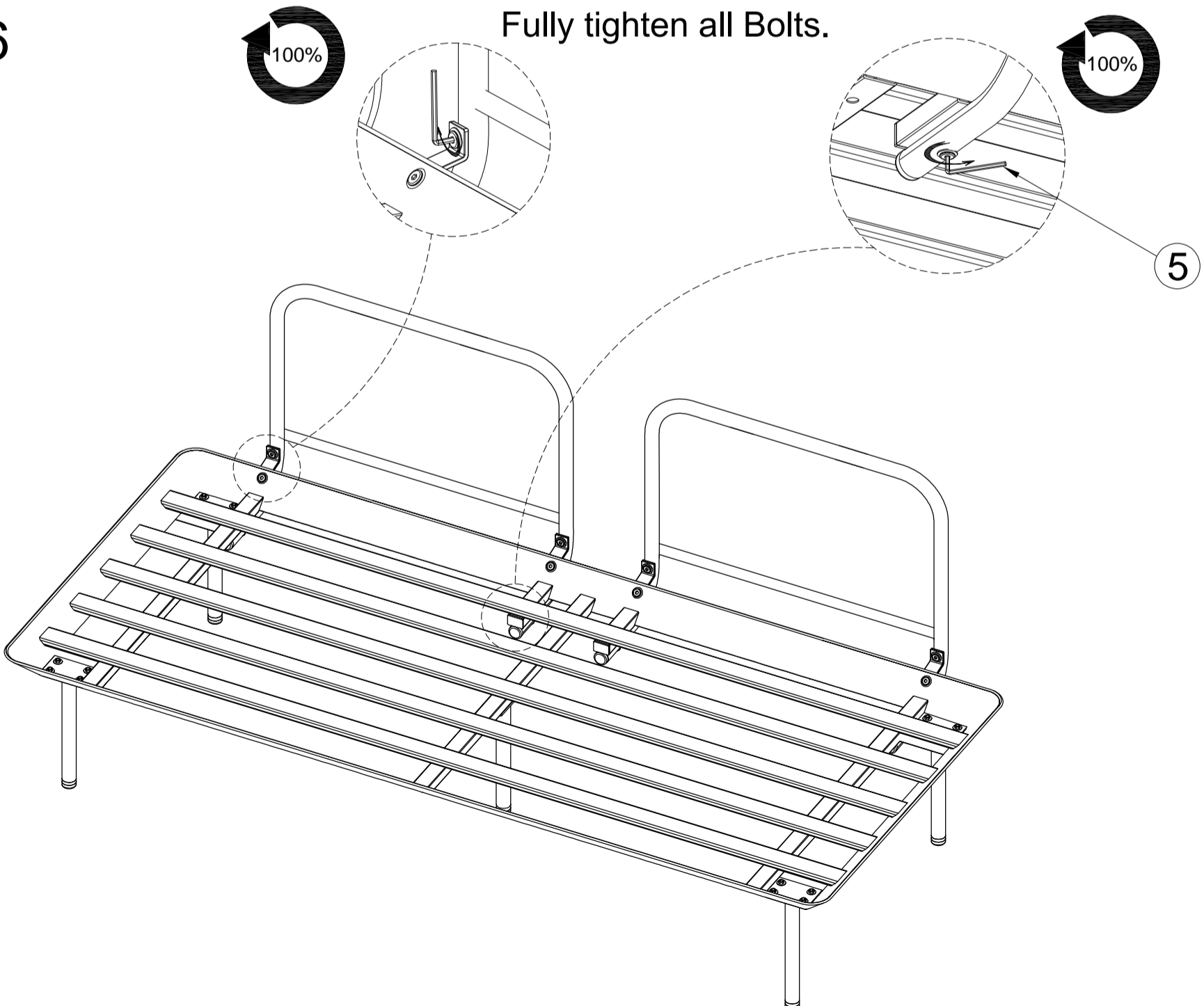
Do not fully tighten at this point



STEP 5

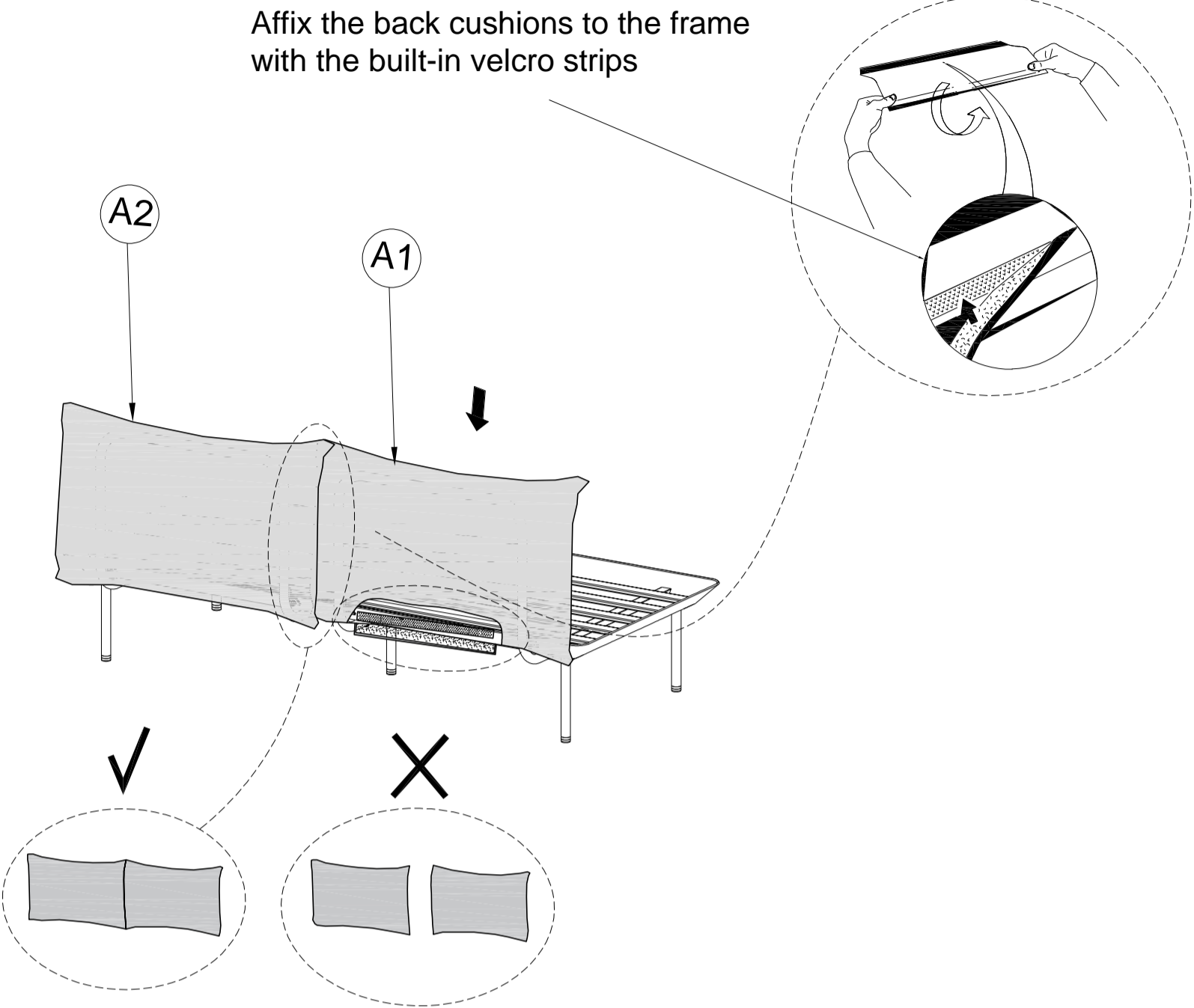


STEP 6

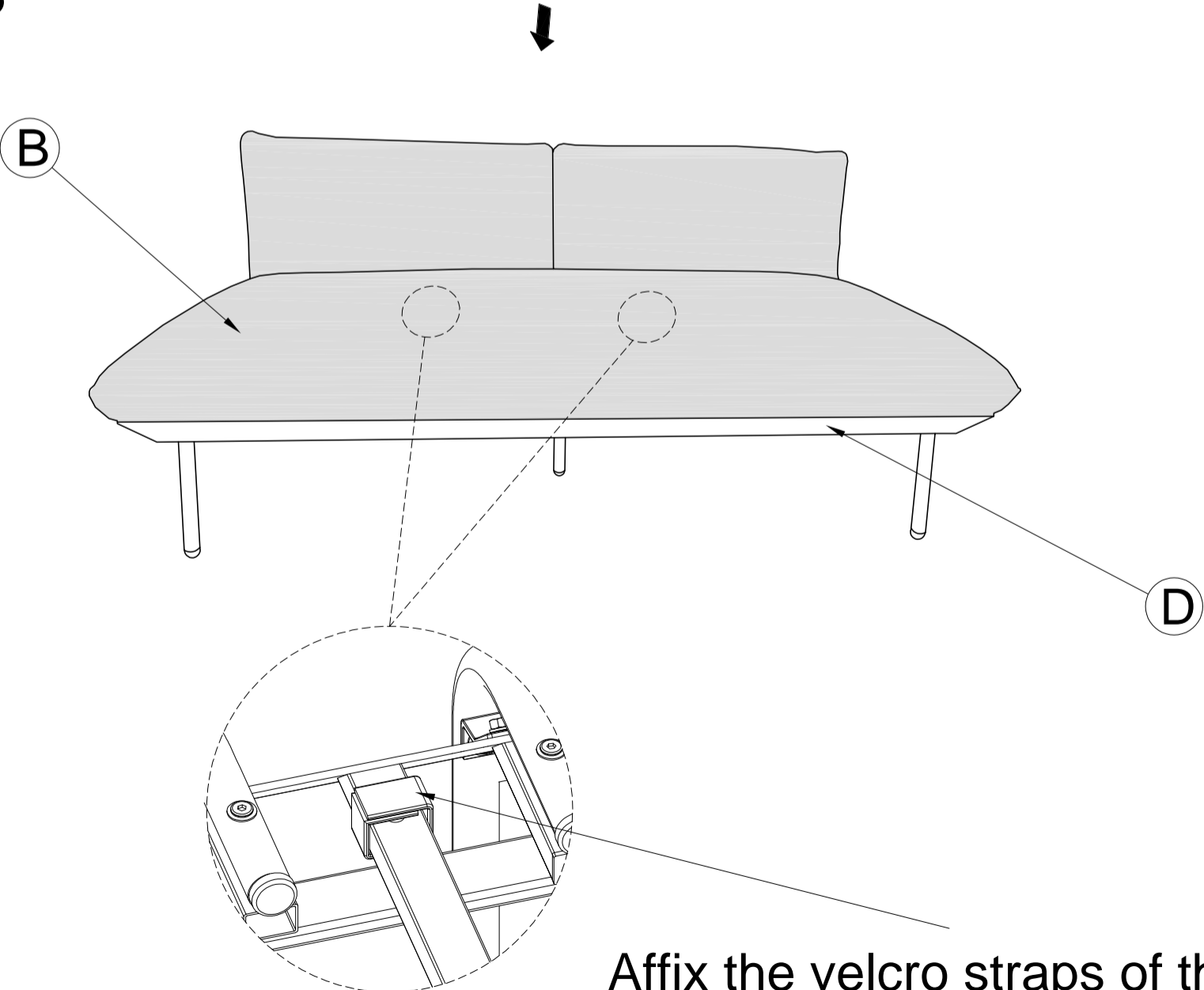


STEP 7

Affix the back cushions to the frame with the built-in velcro strips

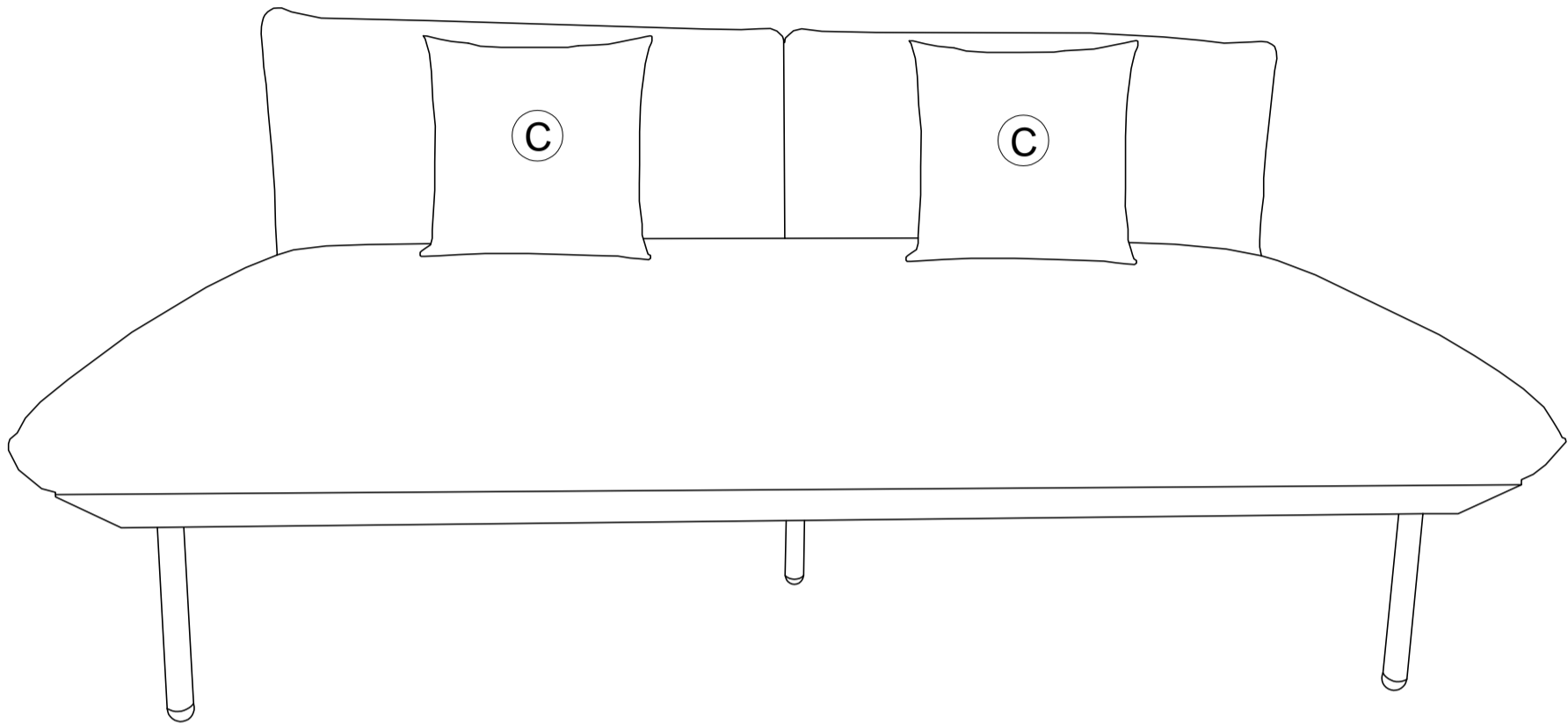
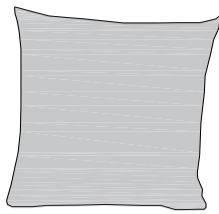


STEP 8

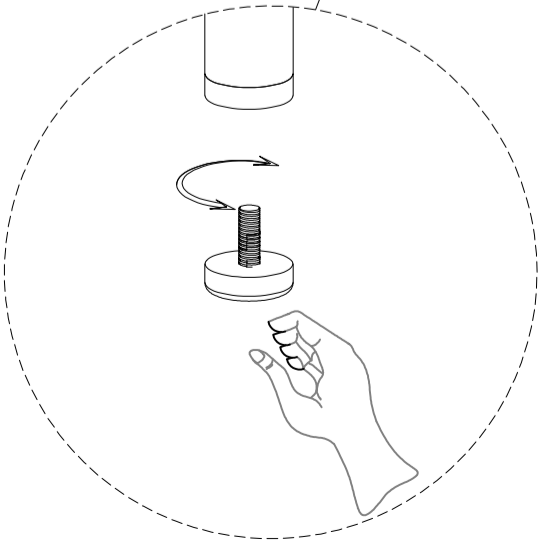
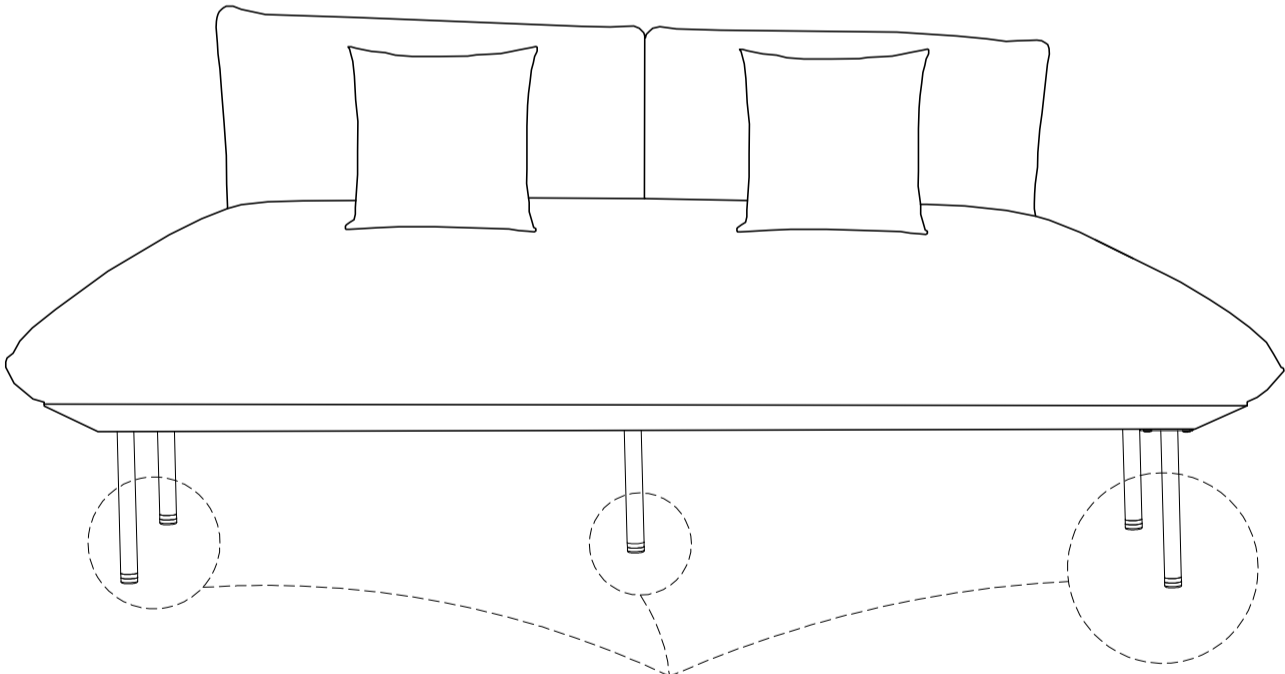


Affix the velcro straps of the seat cushion to the metal frame

STEP 9



STEP 10



Levelers can be adjusted as necessary to ensure stability