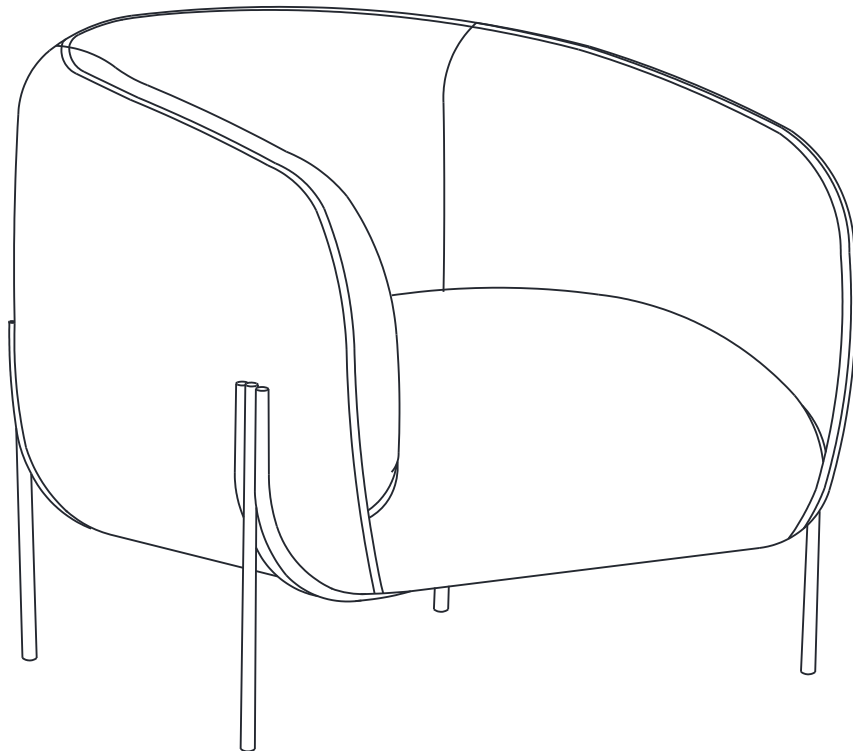


Kandra Chair

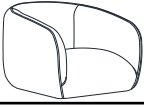
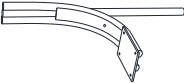
# Kandra

---


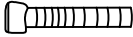


## **Assembly Instructions**



## PARTSLIST

LABEL	PICTURE	DESCRIPTION	QTY
<b>A</b>		<b>Chair Body</b>	<b>1</b>
<b>B</b>		<b>Leg</b>	<b>4</b>

## HARDWARE

LABEL	PICTURE	DESCRIPTION	QTY
<b>a</b>		<b>Metal Gasket</b>	<b>16</b>
<b>b</b>		<b>Screw M6x30</b>	<b>16</b>
<b>c</b>		<b>Wrench</b>	<b>1</b>
<b>d</b>		<b>Spring Washer</b>	<b>16</b>

### BEFORE BEGINNING ASSEMBLY:



*Read instructions cover to cover*



*Have two adults on hand for assembly*



*Do NOT assemble on flooring or carpet. Assemble on a clean non-marring surface (ex: packing foam)*

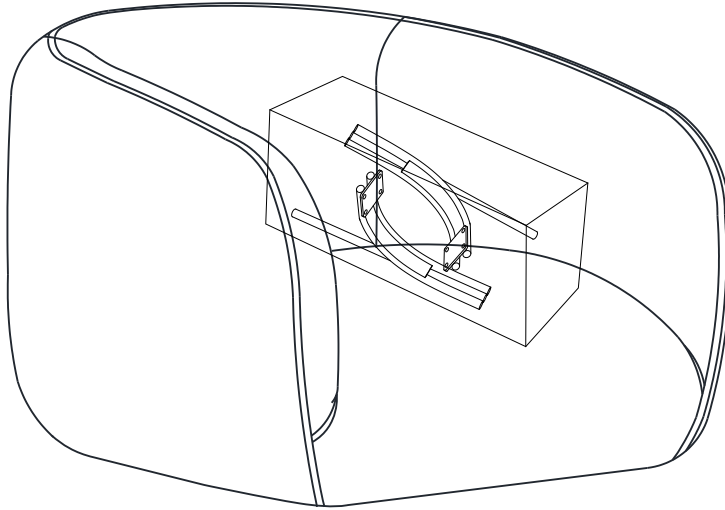


*Save all packaging until assembly is completed*

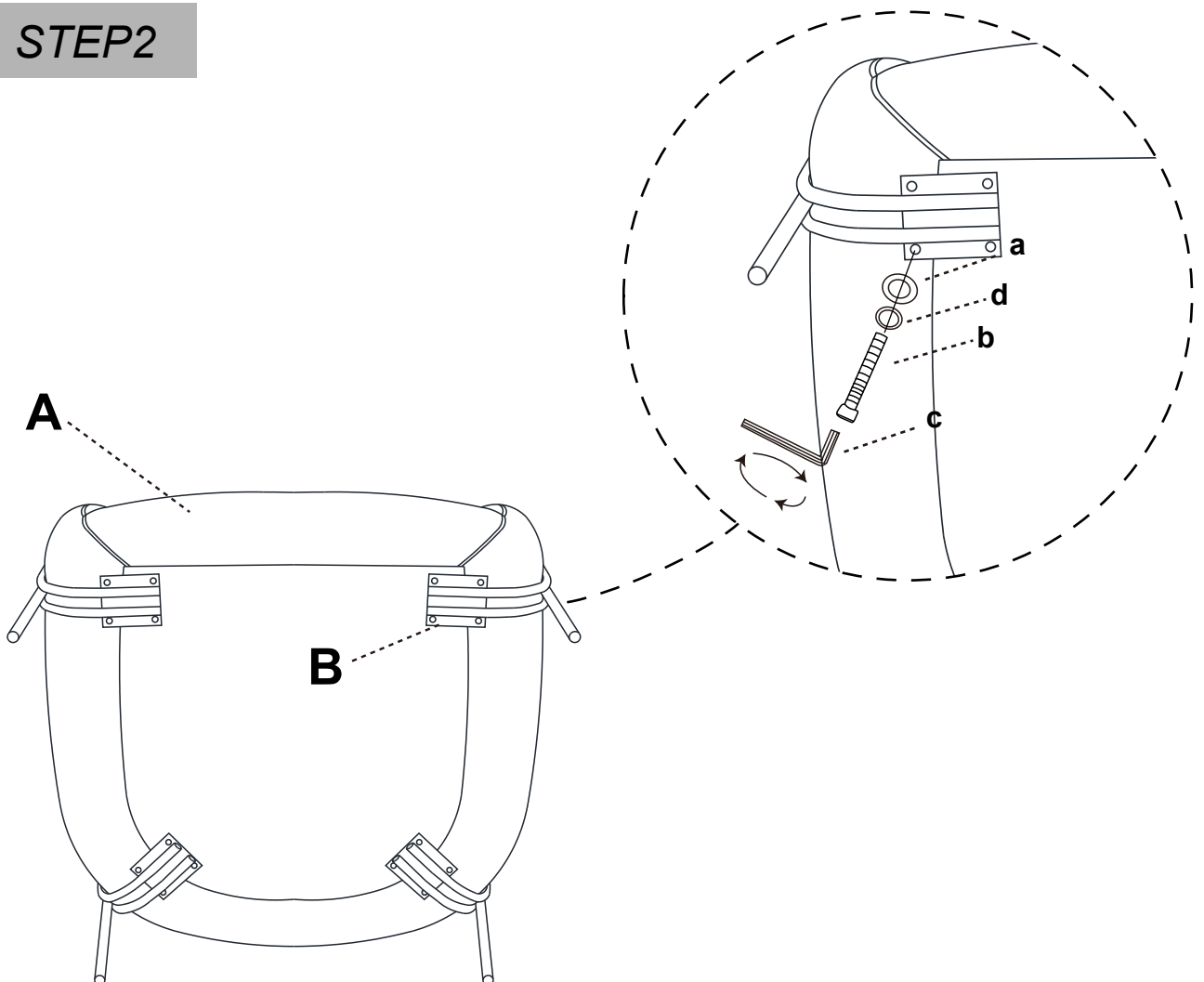
*Need a part? Call TOV at 516-888-3355 or email [service@tovfurniture.com](mailto:service@tovfurniture.com)*

# ASSEMBLY STEPS

## STEP 1



## STEP 2



>Use the included hardware to attach the legs to the chair seat as shown.

## CARE & MAINTENANCE



**Do not put hot items directly on furniture surface.**



**Do not clean furniture with harsh cleansers or polish.**



**Dust and wipe up spills using a clean, non-colored, lint-free cloth.**



**Stains may be removed with mild soap solution and a damp cloth**



**Do not place furniture under direct sunlight.**



**Do not place furniture near heating or cooling vents.**



**Do not write on furniture without a padded barrier to protect the surface.**



**Do not place furniture outside, for indoor use only.**