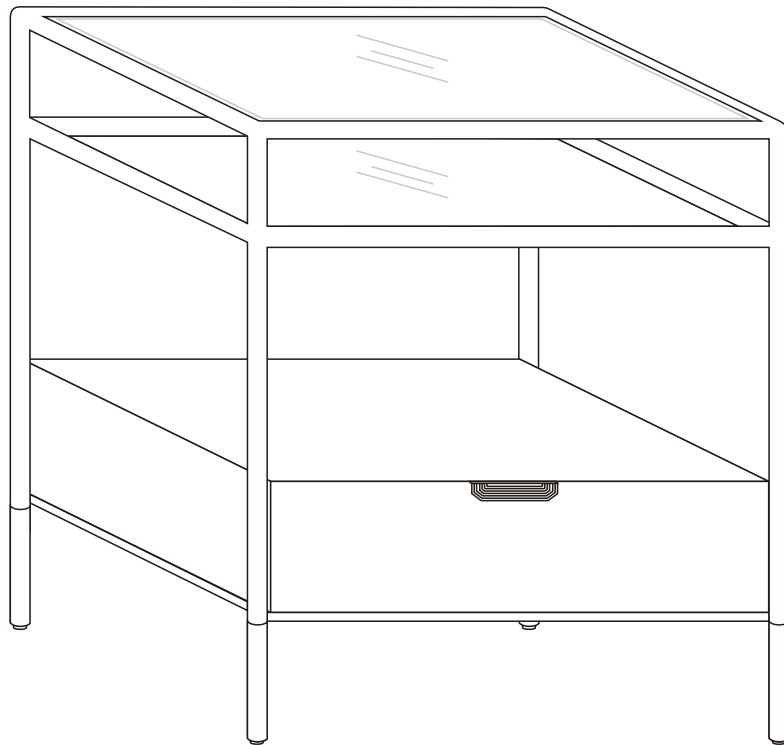


Darla Nightstand

Darla Nightstand

ASSEMBLY INSTRUCTIONS



PARTS LIST

| | PICTURE | DESCRIPTION | QTY |
|---|---|-------------|-----|
| A |  | Nightstand | 1 |
| B |  | Leg | 4 |

BEFORE BEGINNING ASSEMBLY:



Read instructions cover to cover



Have two adults on hand for assembly



Do NOT assemble on flooring or carpet. Assemble on a clean non-marring surface (ex: packing foam)

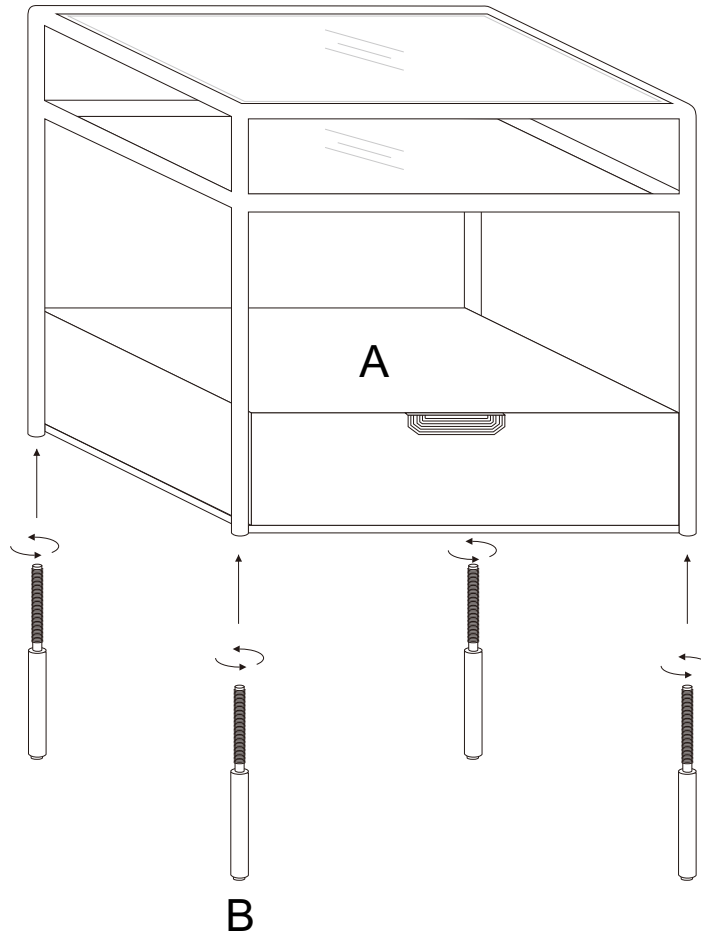


Save all packaging until assembly is completed

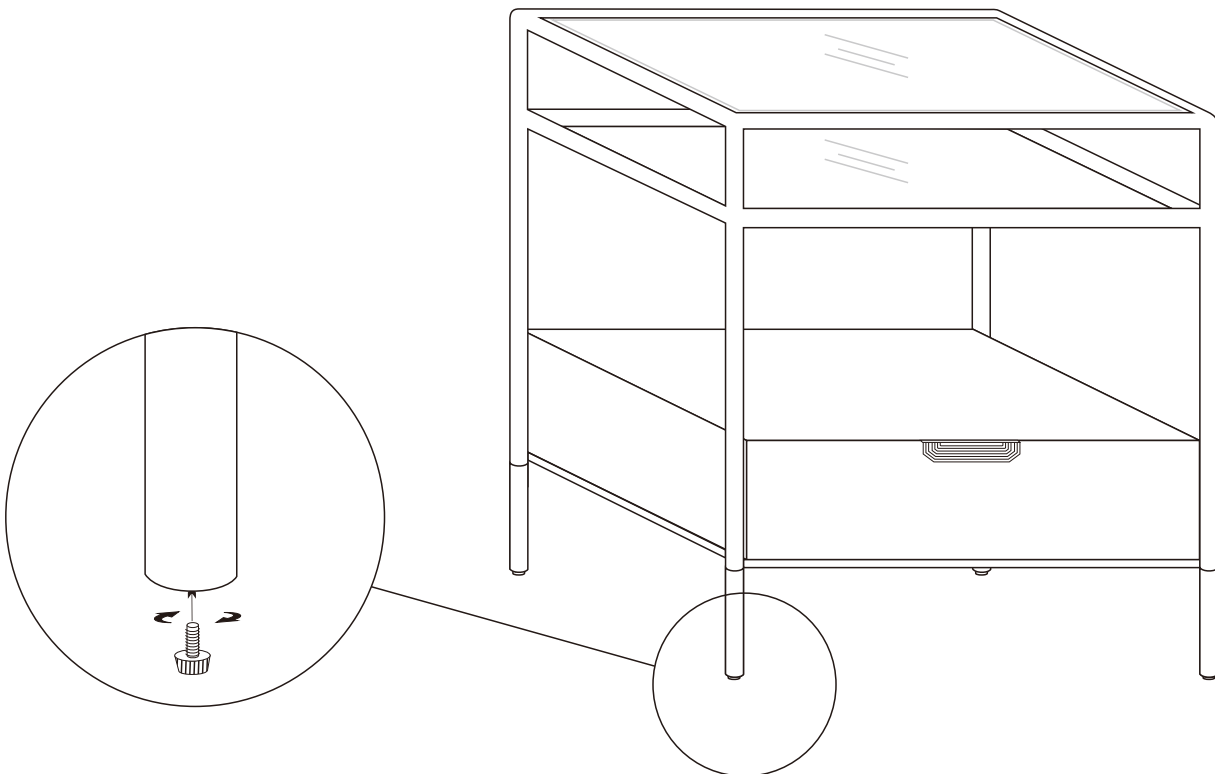
*Need a part? Call TOV at **516-888-3355** or email service@tovfurniture.com*

ASSEMBLY STEPS

STEP 1



STEP 2



CARE & MAINTENANCE



Do not put hot items directly on furniture surface.



Do not clean furniture with harsh cleansers or polish.



Dust and wipe up spills using a clean, non-colored, lint-free cloth.



Stains may be removed with mild soap solution and a damp cloth.



Do not place furniture under direct sunlight.



Do not place furniture near heating or cooling vents.



Do not write on furniture without a padded barrier to protect the surface.



Do not place furniture outside, for indoor use only.