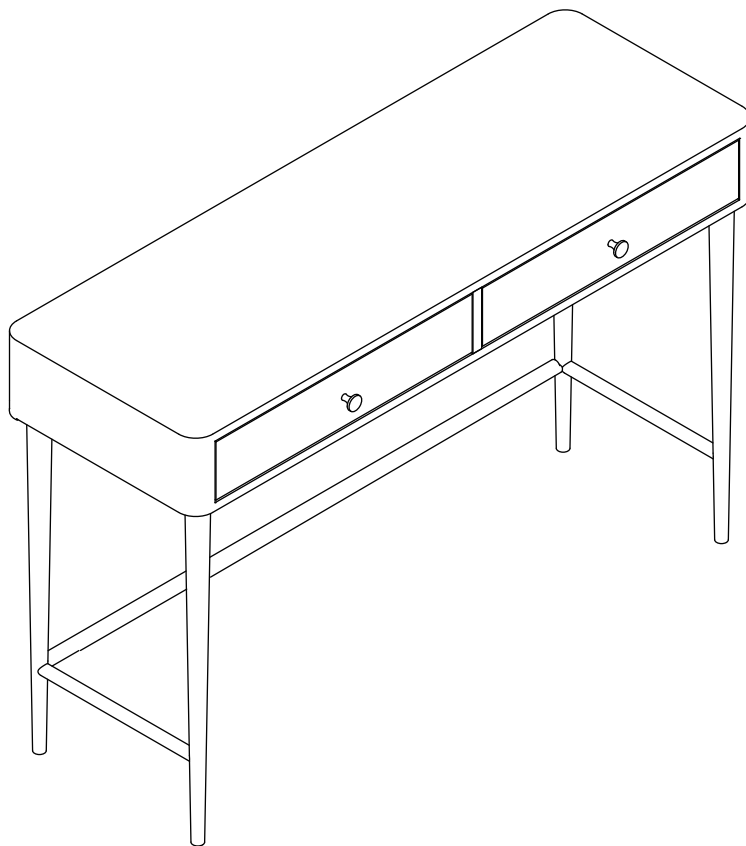


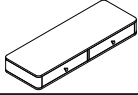
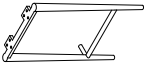
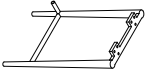

MARIAH DESK

MARIAH


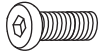


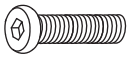
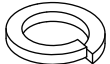
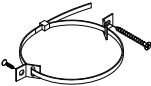
ASSEMBLY INSTRUCTIONS



PARTS LIST

LABEL	PICTURE	DESCRIPTION	QTY
①		Body	1
②		Left Leg	1
③		Right Leg	1
④		Center Bar	1

HARDWARE

LABEL	PICTURE	DESCRIPTION	QTY
A		Allen Key M5	1
B		Bolt M6*10	4
C		Washer M8*20	12
D		Allen Key M4	1
E		Washer M8*40	12
F		Spring M8	12
G		Furniture Tipping Restraint	2

BEFORE BEGINNING ASSEMBLY:



Read instructions cover to cover



Have two adults on hand for assembly



Do NOT assemble on flooring or carpet. Assemble on a clean non-marring surface (ex: packing foam)

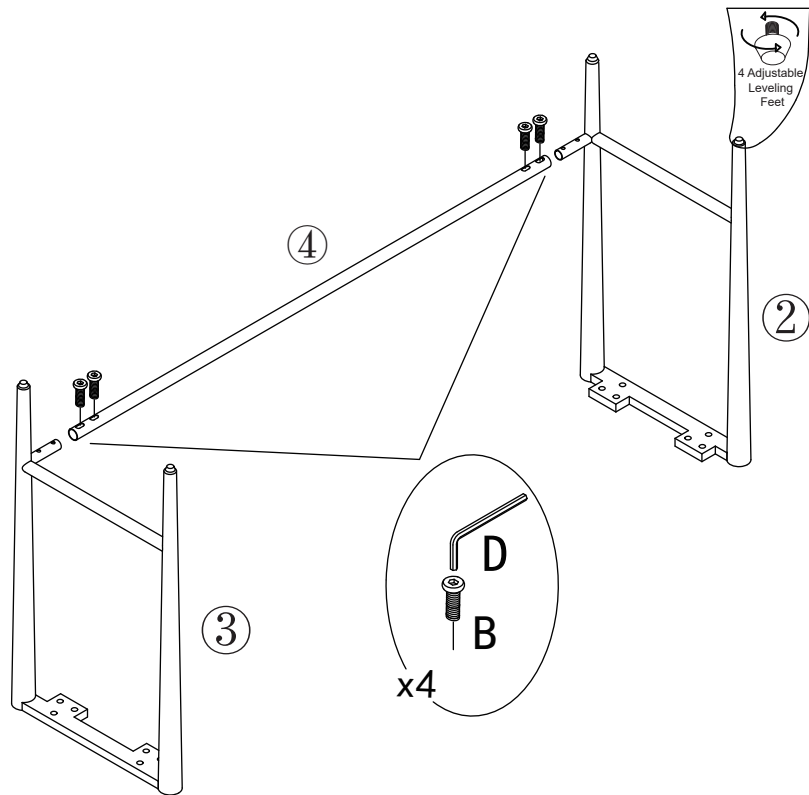


Save all packaging until assembly is completed

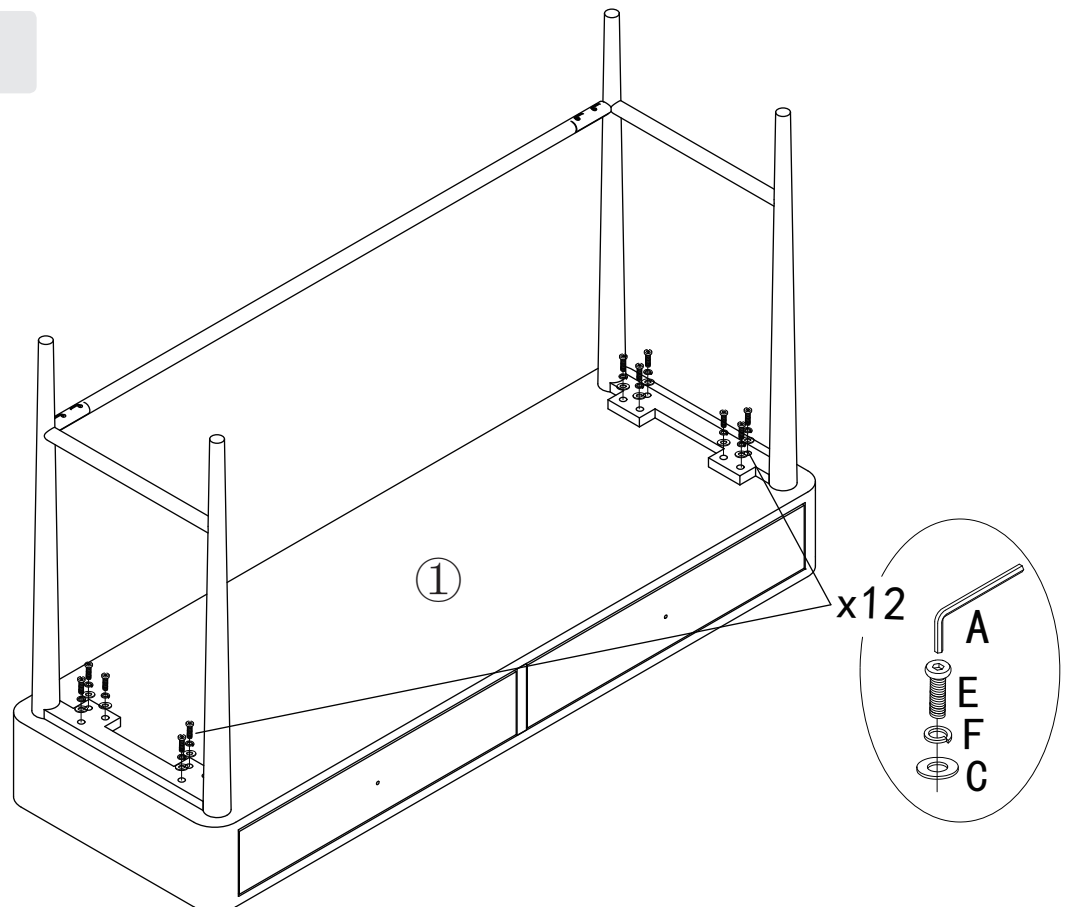
Need a part? Call TOV at 516-888-3355 or email service@tovfurniture.com

ASSEMBLY STEPS

STEP 1

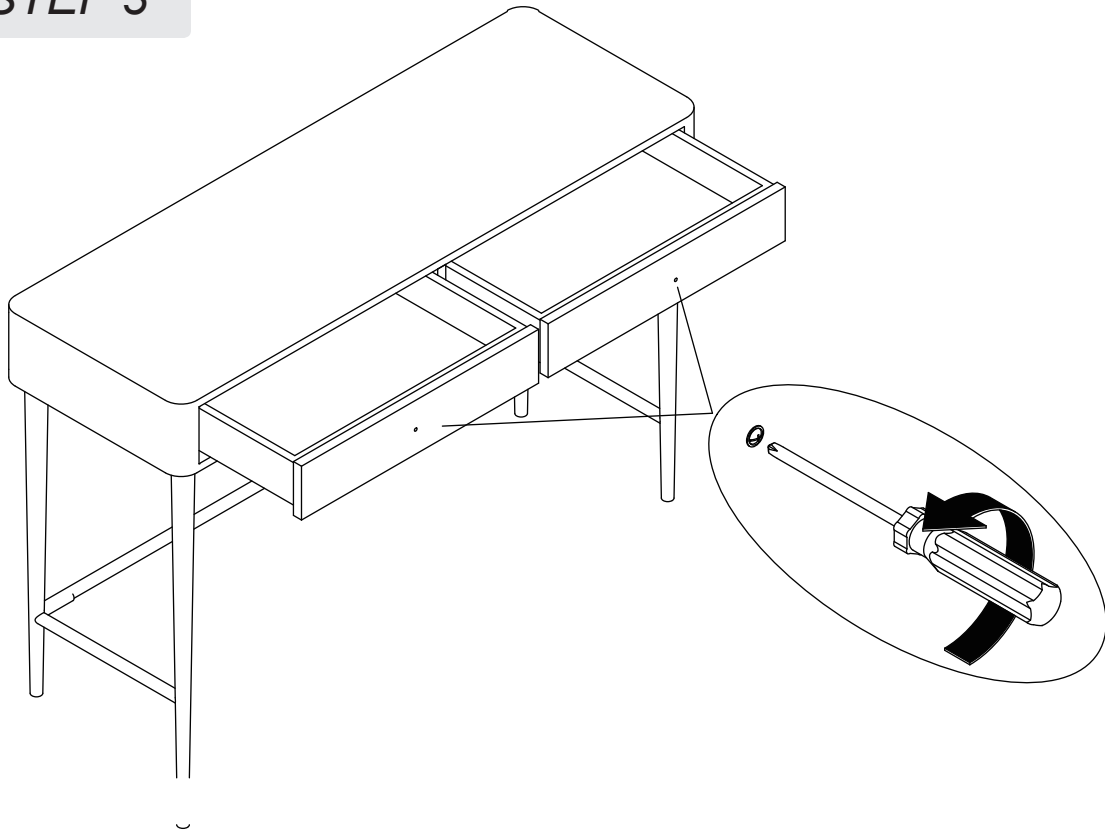


STEP 2

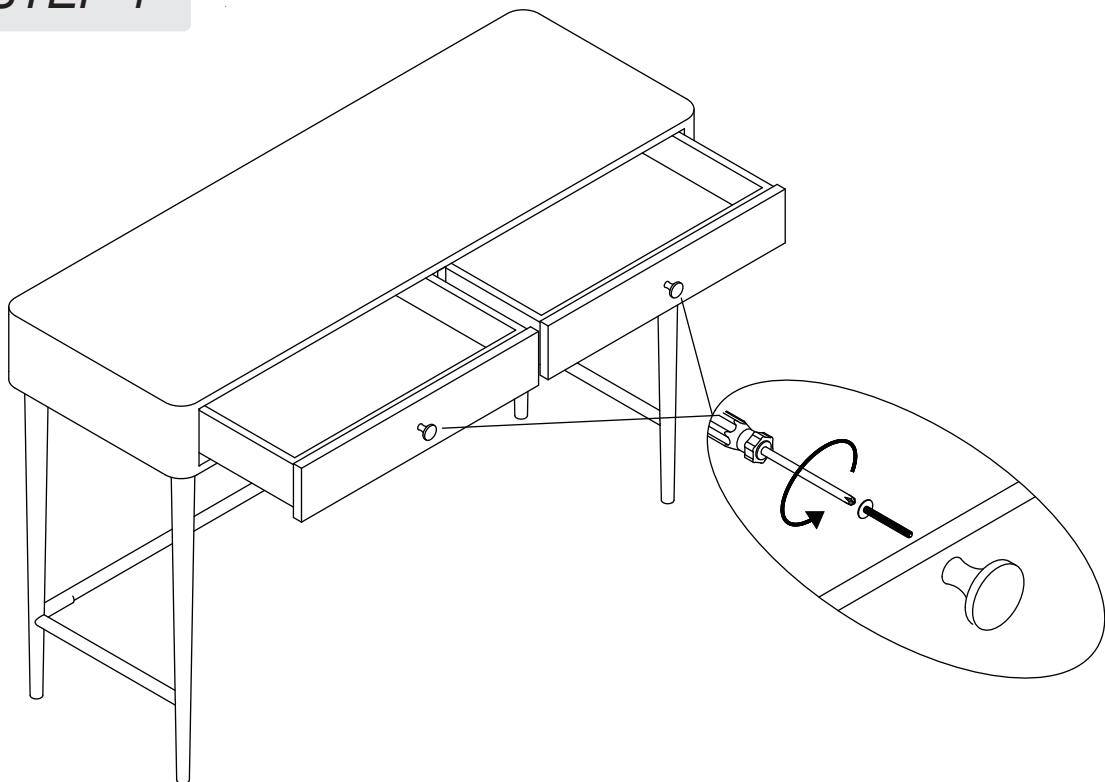


Once the legs have been installed to the body , all screws should be fully tightened

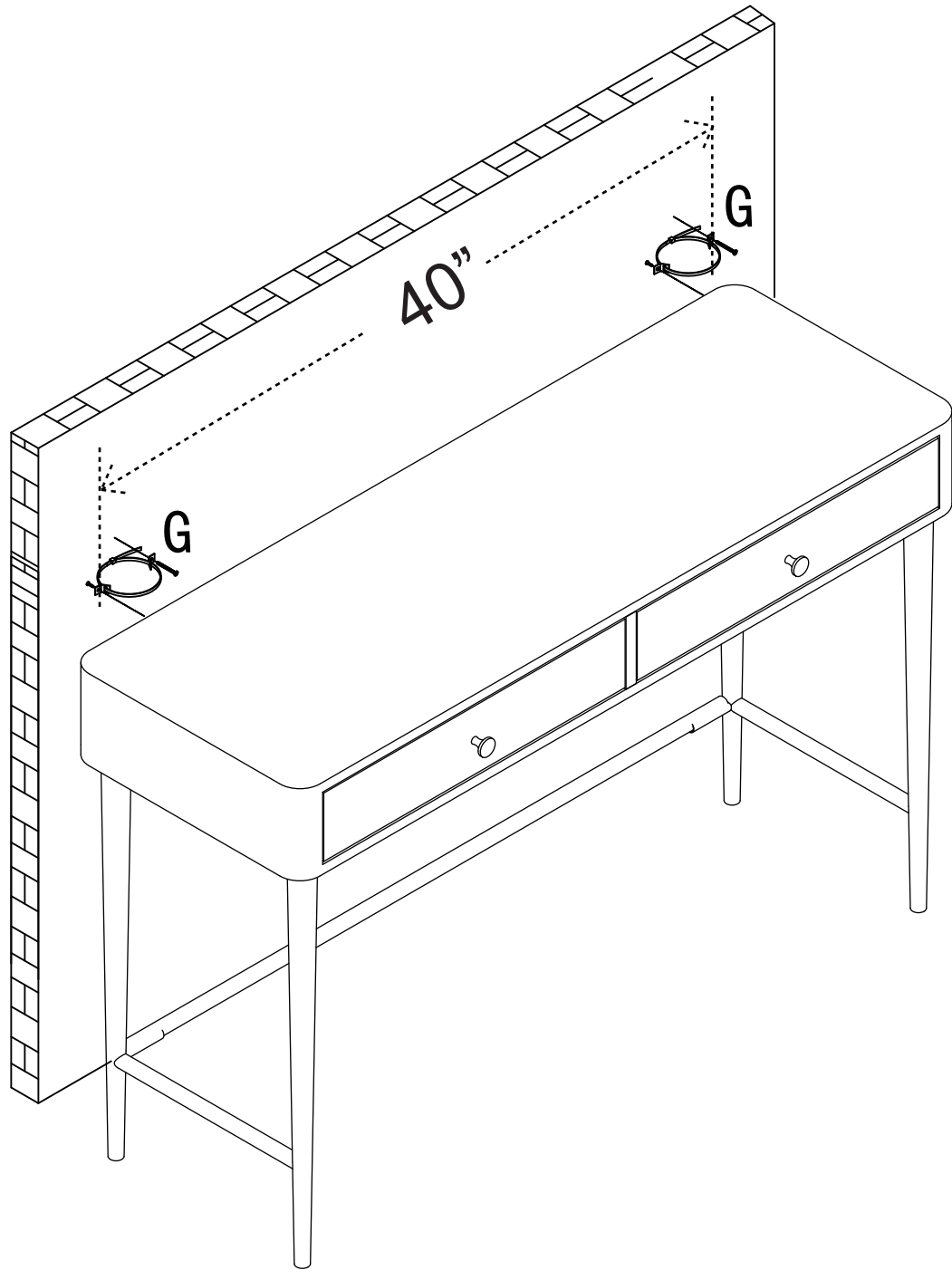
STEP 3



STEP 4



STEP 5



CARE & MAINTENANCE



Do not put hot items directly on furniture surface.



Do not clean furniture with harsh cleansers or polish.



Dust and pick up spills using a clean, non-colored, lint-free cloth.



Stains may be removed with mild soap solution and a damp cloth.



Do not place furniture under direct sunlight.



Do not place furniture near heating or cooling vents.



Do not write on furniture without a padded barrier to protect the surface.



Do not place furniture outside, for indoor use only.

CARE INSTRUCTIONS

1. Choose an appropriate location for your furniture

The surface of high gloss furniture is fragile. The best spot for your furniture is anywhere far from direct sunlight, heaters, air vents or air conditioners.

2. For regular cleaning, less is more

Dusting your furniture frequently prolongs its life and maintains its beauty. High gloss paint and finishes give protective benefits to any type of furniture, but proper maintenance and care maximize its durability. Dust and smudges can become overly apparent when neglected. For day-to-day cleaning, all you need is a clean, soft, lint-free cloth. Without applying too much pressure, wipe the furniture's surface using long, straight strokes. A damp cloth with gentle detergent can be used for dirty surfaces. Wipe water droplets away immediately as they may leave streaks or spots when dried. Using a soft, dry cloth, buff the surface back to its natural shine. Avoid using cleaners with chemicals such as furniture sprays, glass cleaners or furniture polish. Cleaners with silicone will leave an oily film over the surface of your furniture that may be difficult to remove. Glass cleaners are highly corrosive and can be damaging to your furniture's finish.

3. Know the right cleaning products to use

The types of polishes you can use are those that contain detergents, emulsifiers, and mineral oil. The detergent cleans surface dirt; the emulsifiers and mineral oil leave a barrier to repel dirt and moisture. Polishing high gloss furniture should not be a daily routine. A few times a year is enough to keep your furniture in pristine condition.

4. Know how to tackle food and drink spills

When you spill a drink on your high gloss furniture, wipe it off right away. Don't wait for the liquid to dry onto the surface. A soft, dry, absorbent cloth is enough to do the trick. For stubborn dirt or sticky fluid, spray a bit of water on the area or use a damp cloth with gentle detergent. Do not underestimate the importance of removing spills from your furniture as quickly as possible. For instance, spilling a dark colored drink or anything that has a potential to dye (e.g., red wine, tea, and coffee) in a light colored piece of furniture can spell disaster if not dealt with immediately.

5. Hot items should not be placed directly onto high gloss surfaces

Hot items and hot dishes should never be placed directly onto high gloss surfaces

6. High gloss furniture are not scratchproof

When writing on a high-gloss surface with a ballpoint pen, use a protective pad underneath to avoid scratching. Some objects made of plastic or rubber derivatives can also damage your furniture because of certain chemicals that react to its finish. Do not drag objects across the furniture's surface; lift and place objects that need to be moved. If you need to put flower vases, pots, and beverages on your furniture's surface, protect it with cloth pads or coasters. Rotate accessories on high gloss surfaces periodically to prevent stains and uneven surfaces.

7. Furniture damage requires professional help

If your furniture suffers some type of damage, you must contact a furniture restoration company to fix it. Do not attempt a DIY fix as it may only worsen the problem.