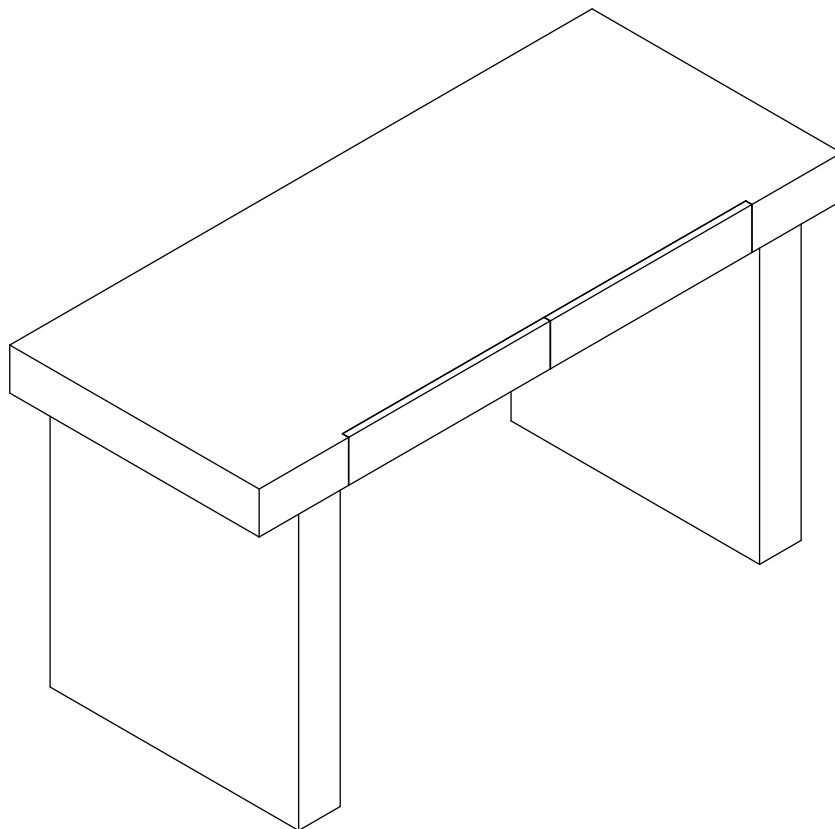


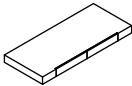
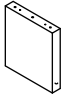
**Clara Glossy White Lacquer Desk
TOV-H68331**

CLARA

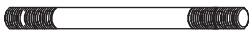
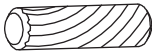
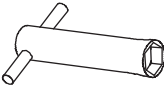
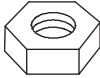


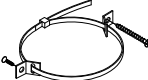
ASSEMBLY INSTRUCTIONS



PARTS LIST

LABEL	PICTURE	DESCRIPTION	QTY
①		Body	1
②		Leg	2

HARDWARE

LABEL	PICTURE	DESCRIPTION	QTY
A		Bolt M8*685	6
B		Wood Plug M8*30	8
C		Socket Spanner M8	1
D		Nut M8	6
E		Washer M8*22	6
F		Wool Mat M50*3	8
G		Furniture Tipping Restraint	2

BEFORE BEGINNING ASSEMBLY:



Read instructions cover to cover



Have two adults on hand for assembly



Do NOT assemble on flooring or carpet. Assemble on a clean non-marring surface (ex: packing foam)

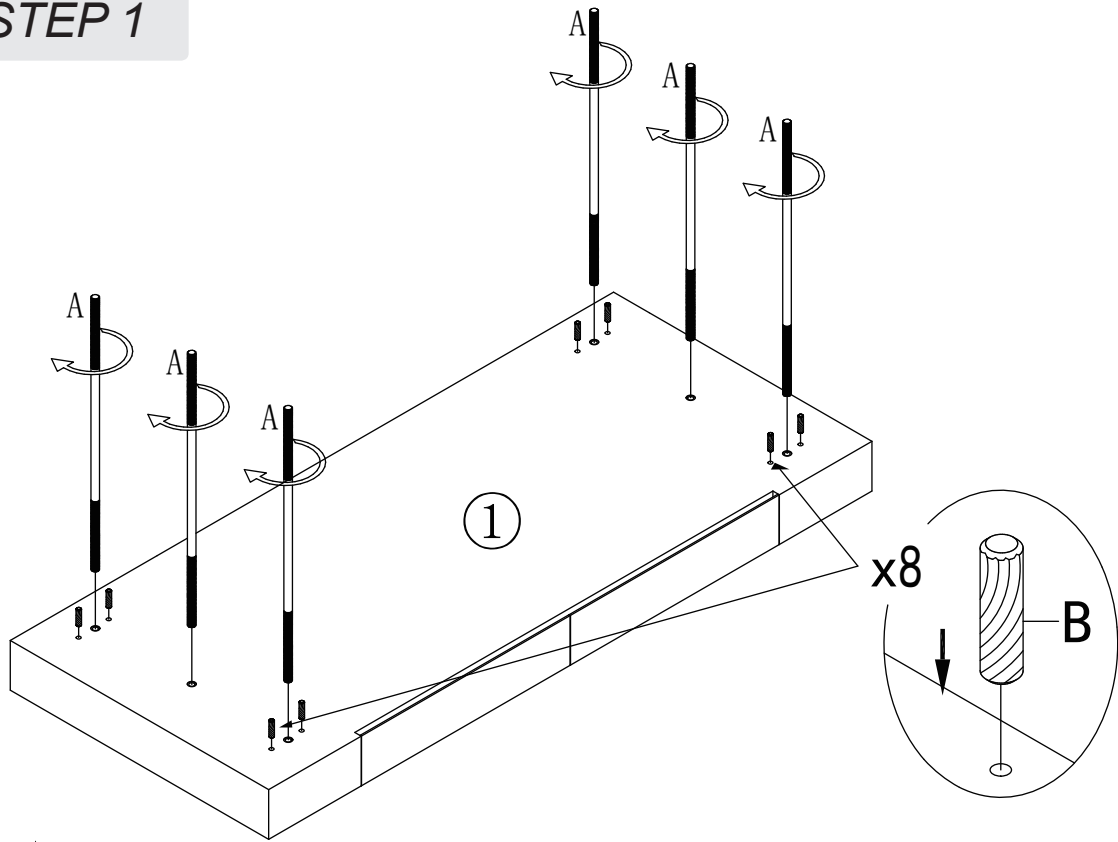


Save all packaging until assembly is completed

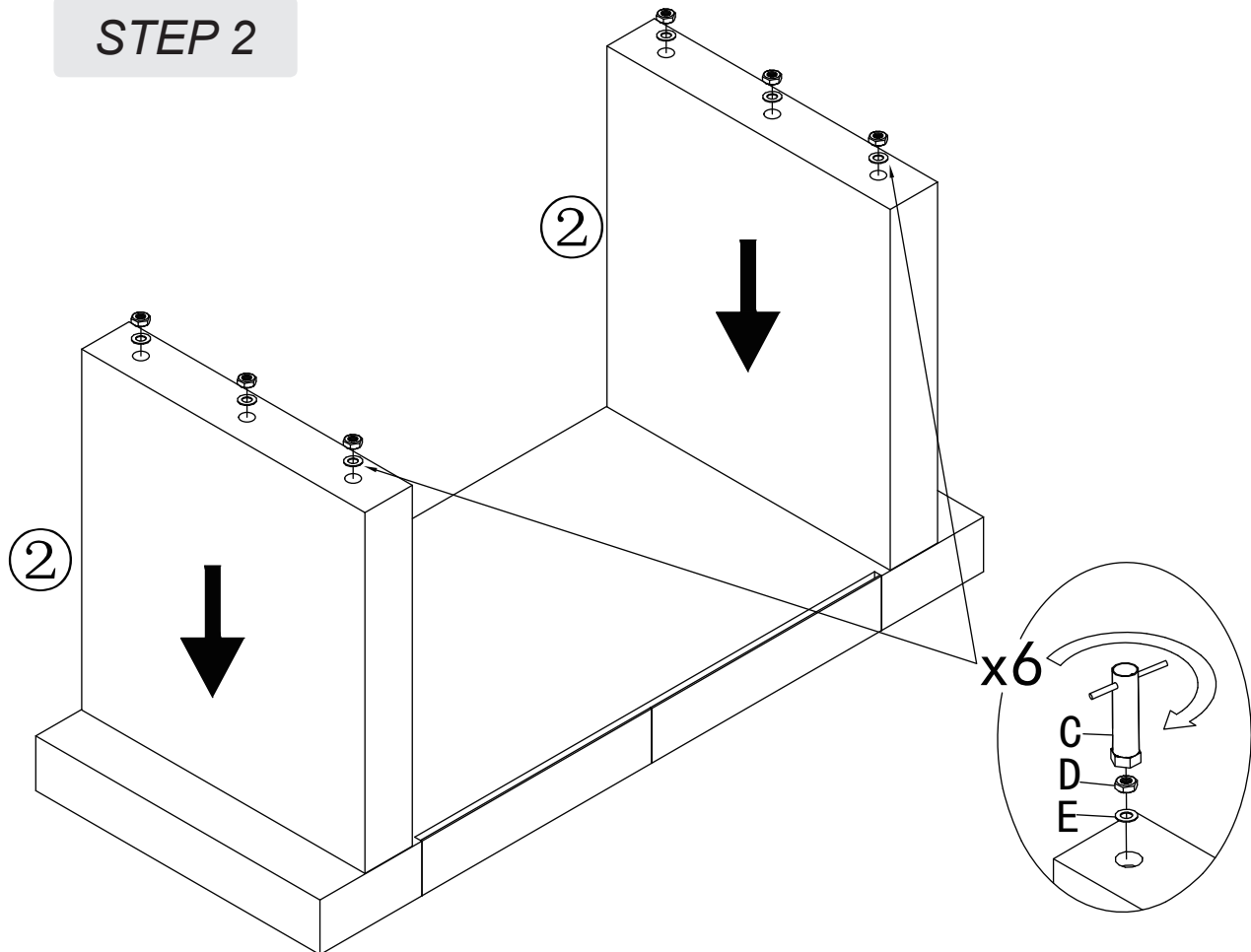
Need a part? Call TOV at 516-888-3355 or email service@tovfurniture.com

ASSEMBLY STEPS

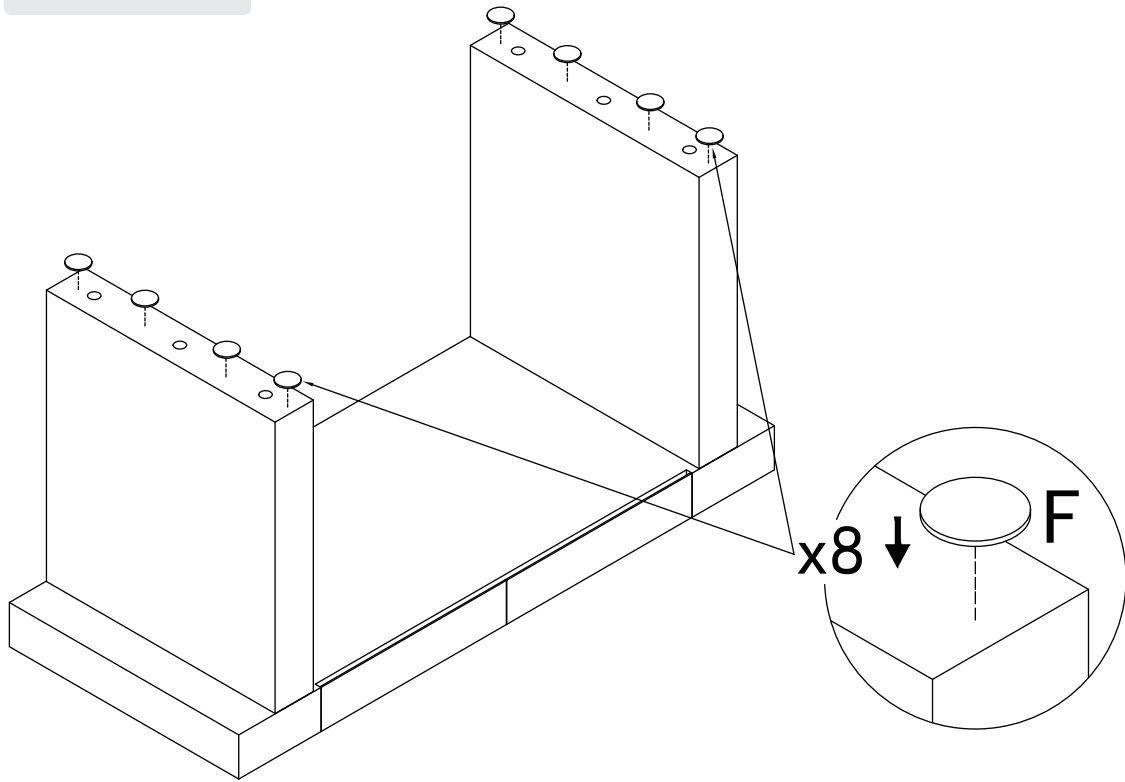
STEP 1



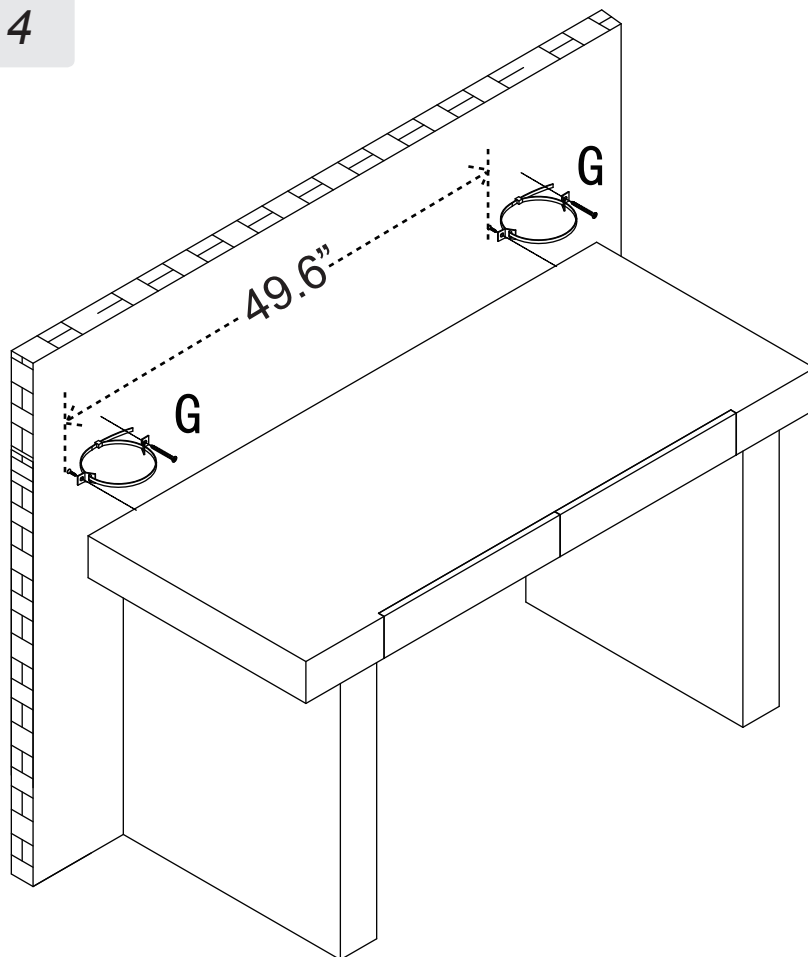
STEP 2



STEP 3



STEP 4



CARE & MAINTENANCE



Do not put hot items directly on furniture surface.



Do not clean furniture with harsh cleansers or polish.



Dust and pick up spills using a clean, non-colored, lint-free cloth.



Stains may be removed with mild soap solution and a damp cloth.



Do not place furniture under direct sunlight.



Do not place furniture near heating or cooling vents.



Do not write on furniture without a padded barrier to protect the surface.



Do not place furniture outside, for indoor use only.