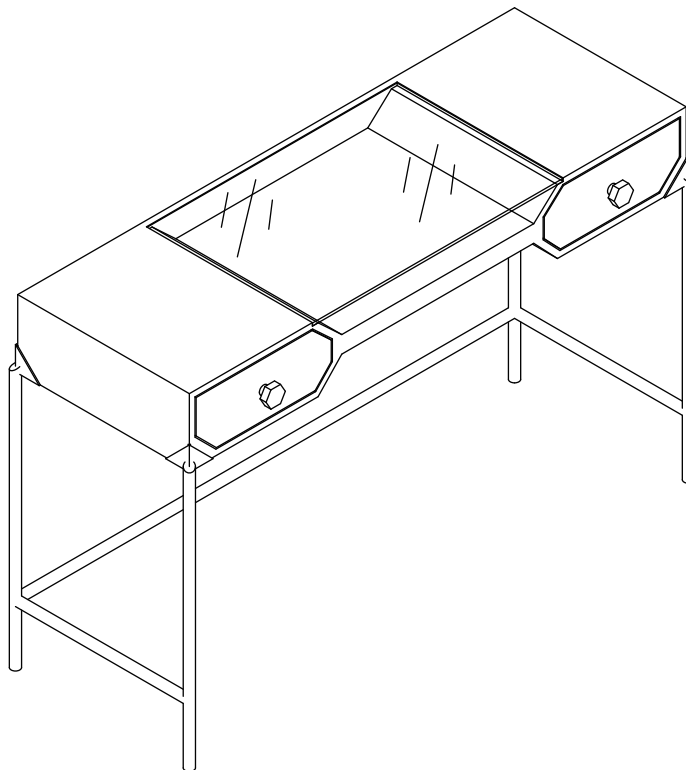


**Bajo Lacquer Desk**

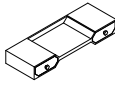

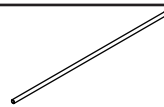
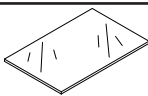
**BAJO**

---









# **ASSEMBLY INSTRUCTIONS**



# PARTS LIST

LABEL	PICTURE	DESCRIPTION	QTY
①		Body	1
②		Leg	2
③		Center Bar	1
④		Glass	1

# HARDWARE

LABEL	PICTURE	DESCRIPTION	QTY
A		Allen Key M4	1
B		Bolt M6*10	4
C		Washer M6*20	10
D		Spring M6	10
E		Bolt M6*30	10
F		Furniture Tipping Restraint	2
G		Handle	2
H		Bolt M4*40	2

### BEFORE BEGINNING ASSEMBLY:



Read instructions cover to cover



Have two adults on hand for assembly



Do NOT assemble on flooring or carpet. Assemble on a clean non-marring surface (ex: packing foam)

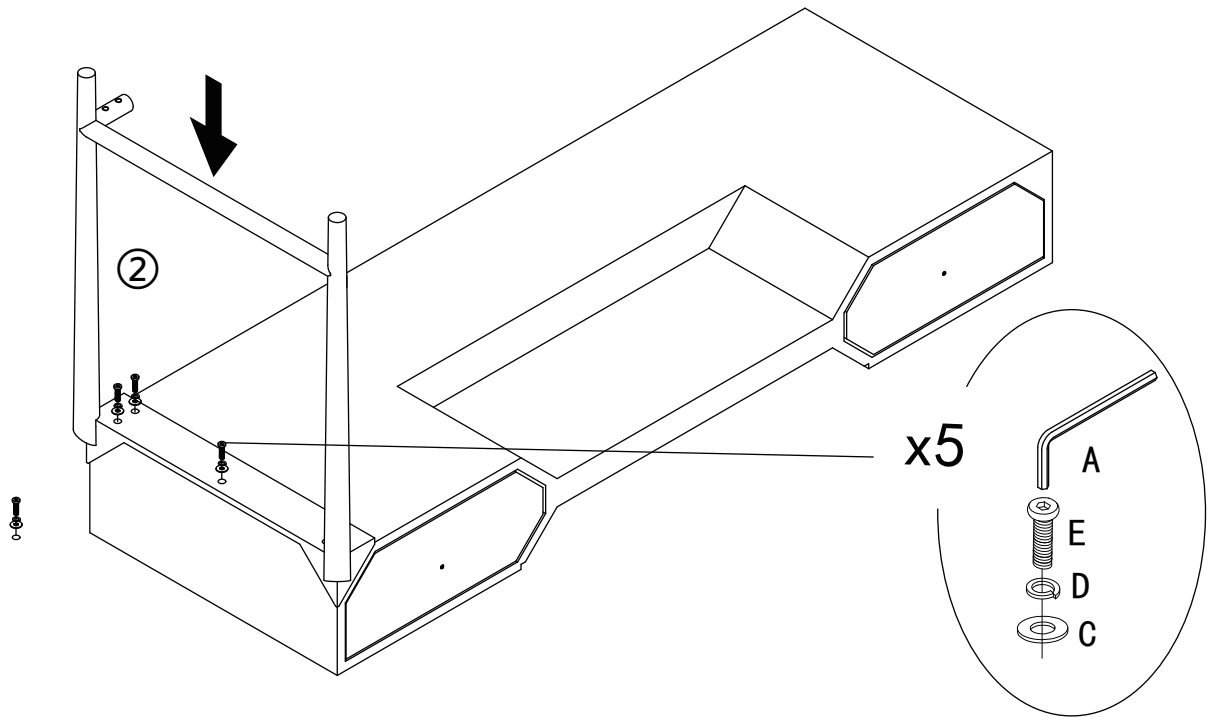


Save all packaging until assembly is completed

Need a part? Call TOV at 516-888-3355 or email [service@tovfurniture.com](mailto:service@tovfurniture.com)

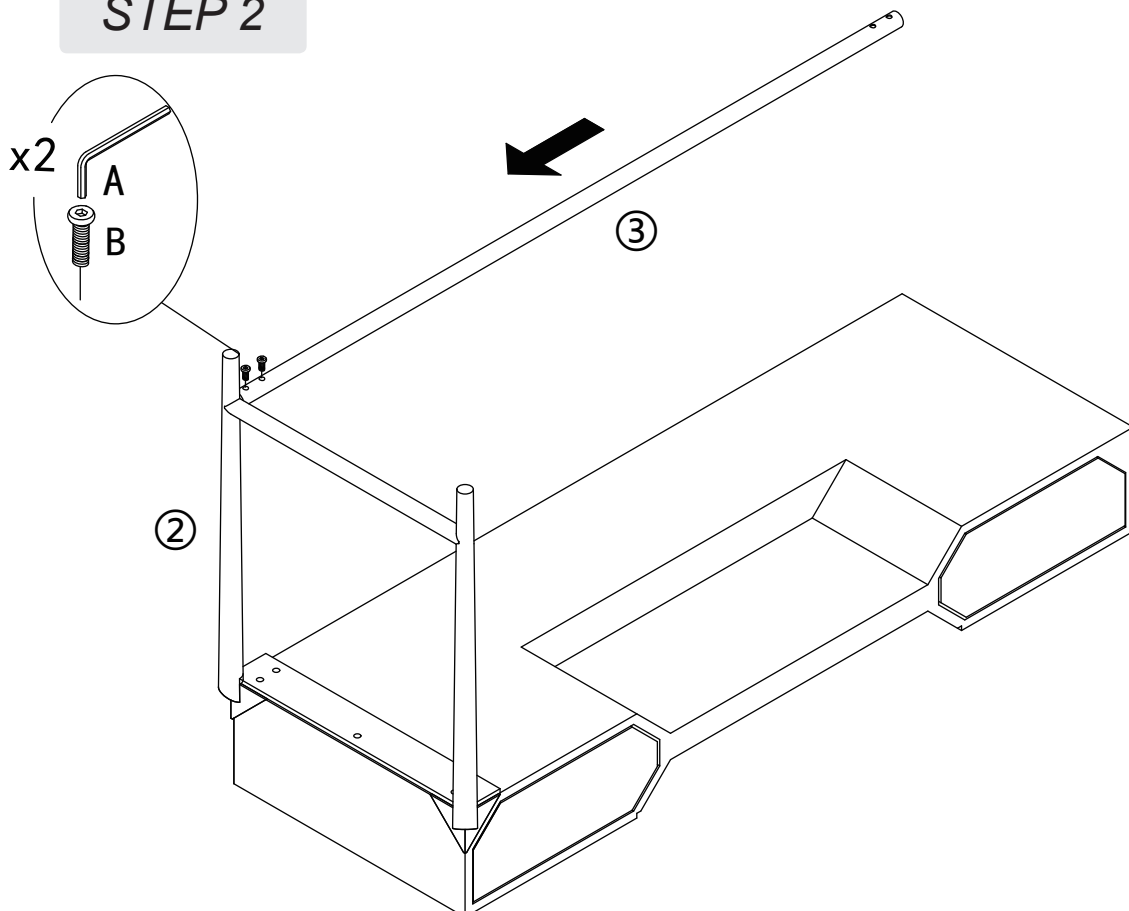
# ASSEMBLY STEPS

## STEP 1



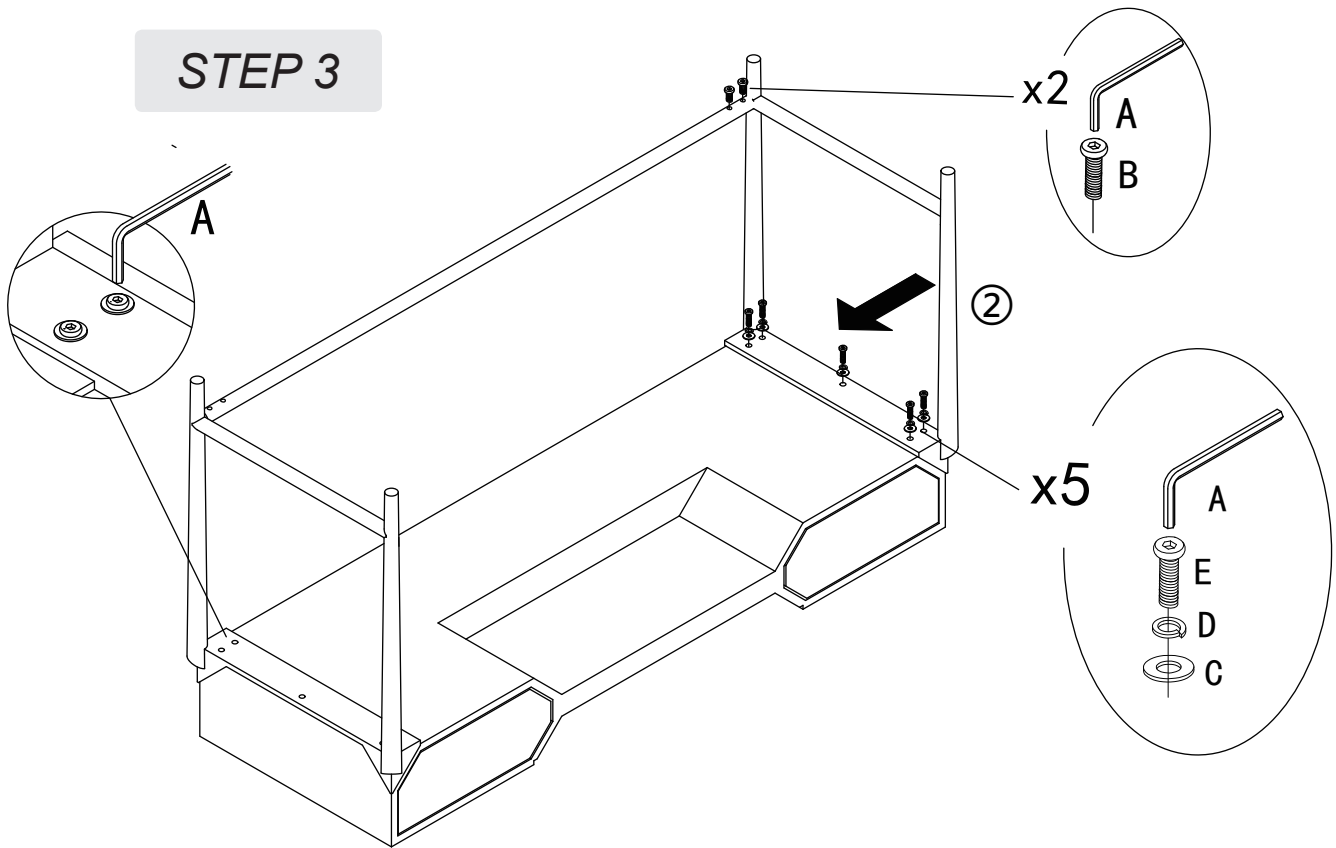
Do not tighten screws all the way at this point

## STEP 2



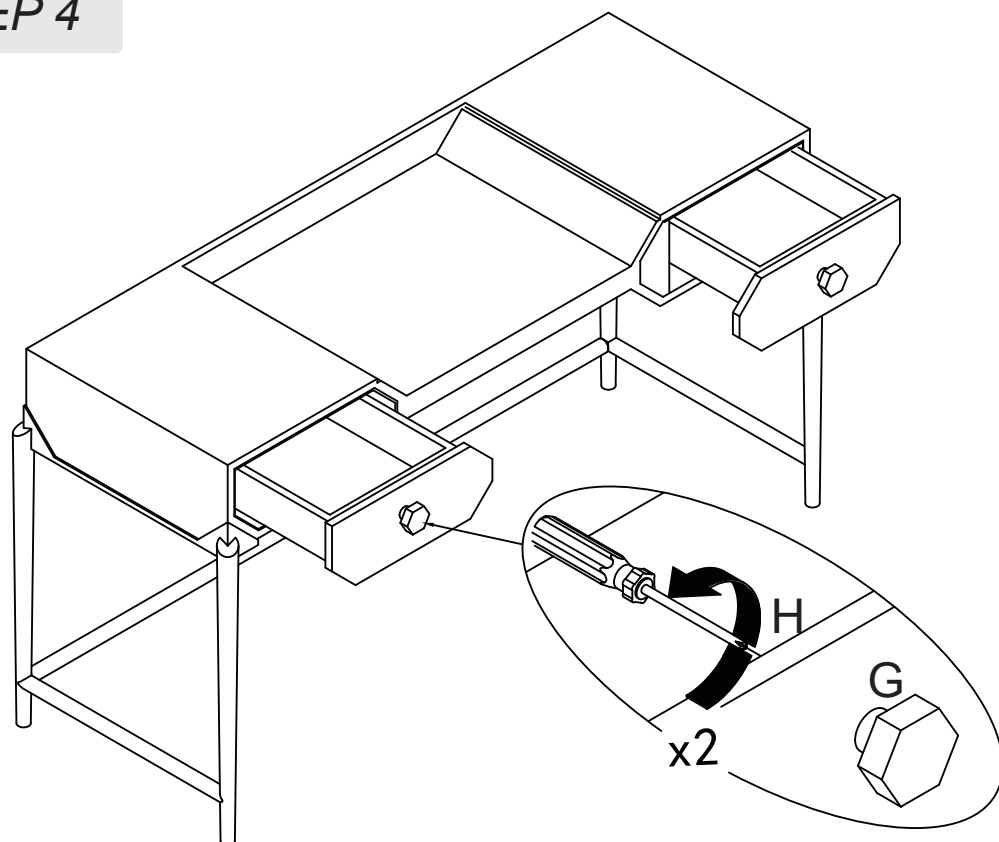
Do not tighten screws all the way at this point

### STEP 3

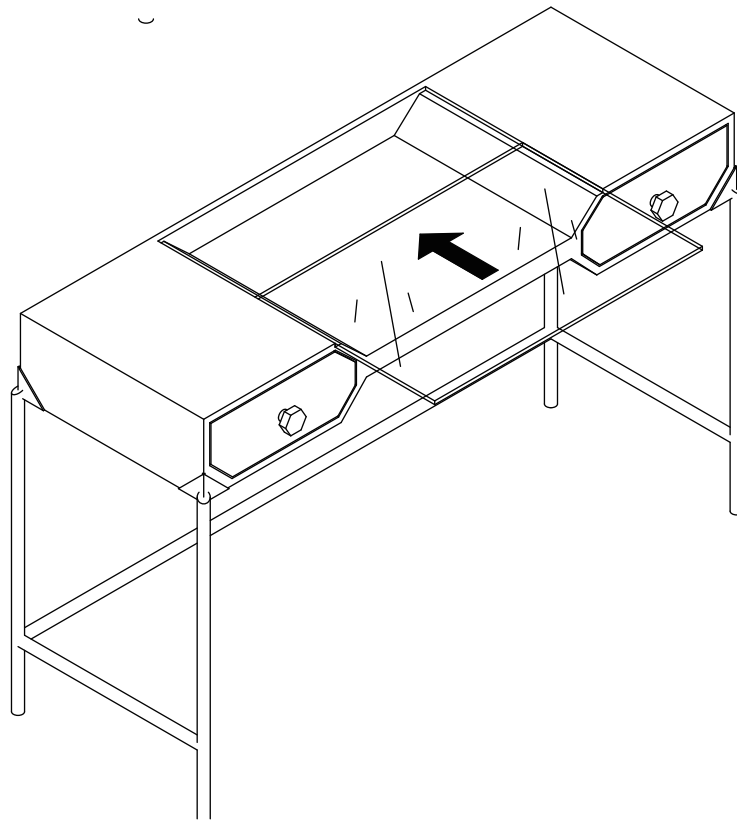


Once the legs have been installed to the body , all screws should be fully tightened

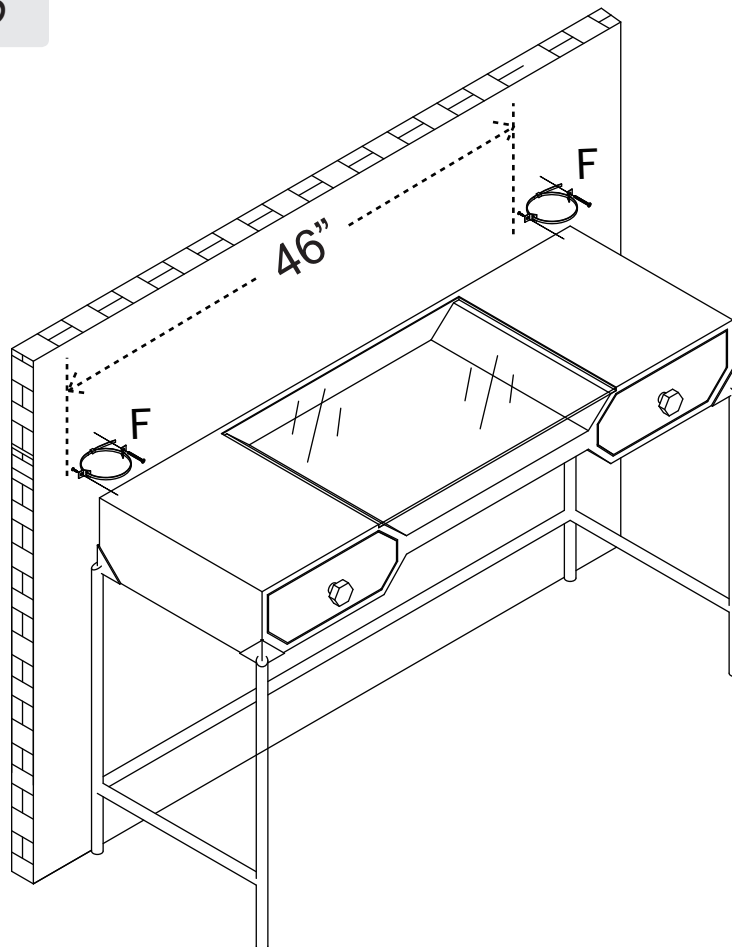
### STEP 4



**STEP 5**



**STEP 6**



## CARE & MAINTENANCE



**Do not put hot items directly on furniture surface.**



**Do not clean furniture with harsh cleansers or polish.**



**Dust and pick up spills using a clean, non-colored, lint-free cloth.**



**Stains may be removed with mild soap solution and a damp cloth.**



**Do not place furniture under direct sunlight.**



**Do not place furniture near heating or cooling vents.**



**Do not write on furniture without a padded barrier to protect the surface.**



**Do not place furniture outside, for indoor use only.**