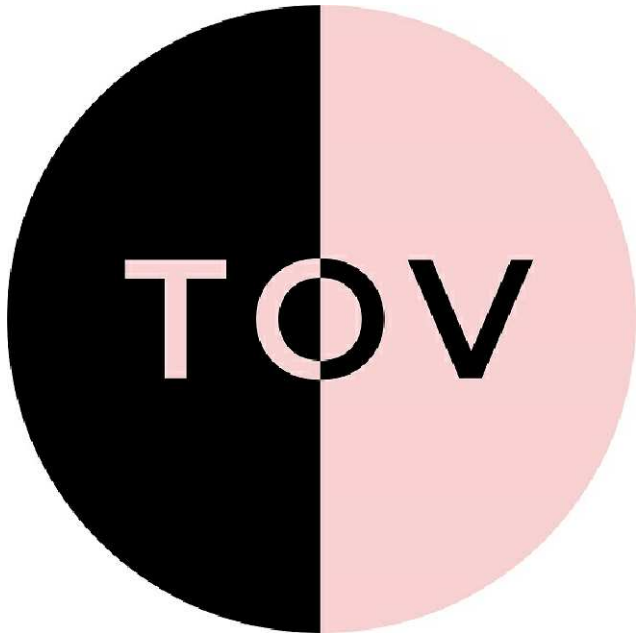
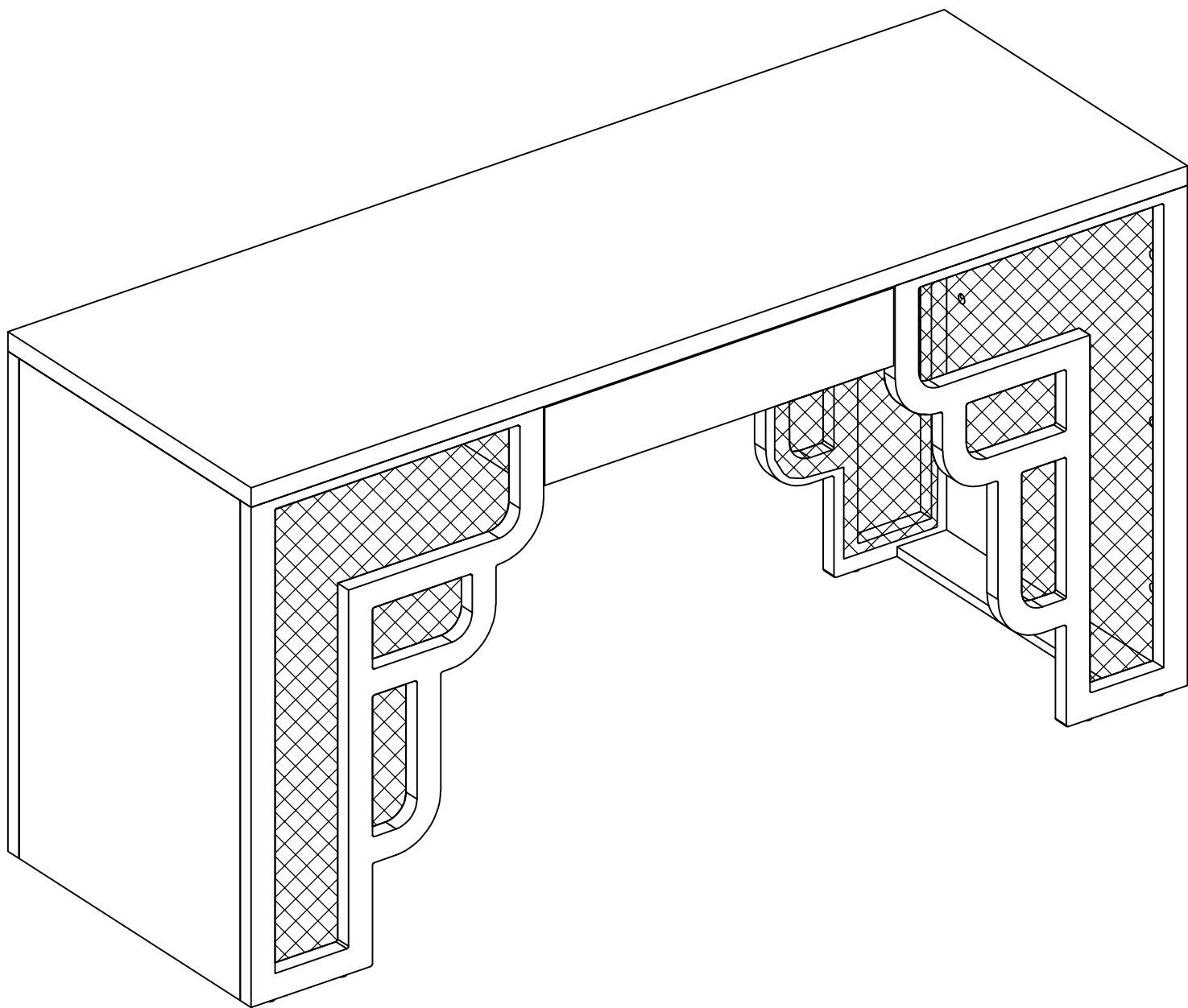


SUZIE RATTAN DESK

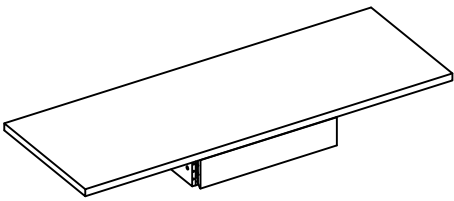
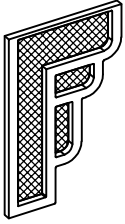
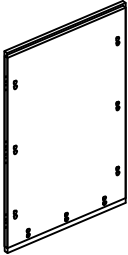





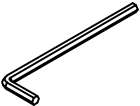
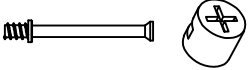
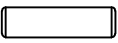

SUZIE RATTAN DESK

ASSEMBLY INSTRUCTIONS



SUZIE RATTAN DESK

PART LIST			
LABEL	PICTURE	DESCRIPTIONS	QTY
A		TOP & DRAWER	1
B		LEGS	4
C		SIDES	2
D		STRETCHER	2

HARDWARE LIST			
LABEL	PICTURE	DESCRIPTIONS	QTY
1		SOCKET HEAD BOLTS M6-30	8
2		WASHER M8-16	8
3		L WRENCH M4-60	1
4		CAMLOCK	30
5		DOWEL 8X30	36
5		COVER CAP	30

BEFORE BEGINNING ASSEMBLY:



Read instructions cover to cover



Have two adults on hand for assembly

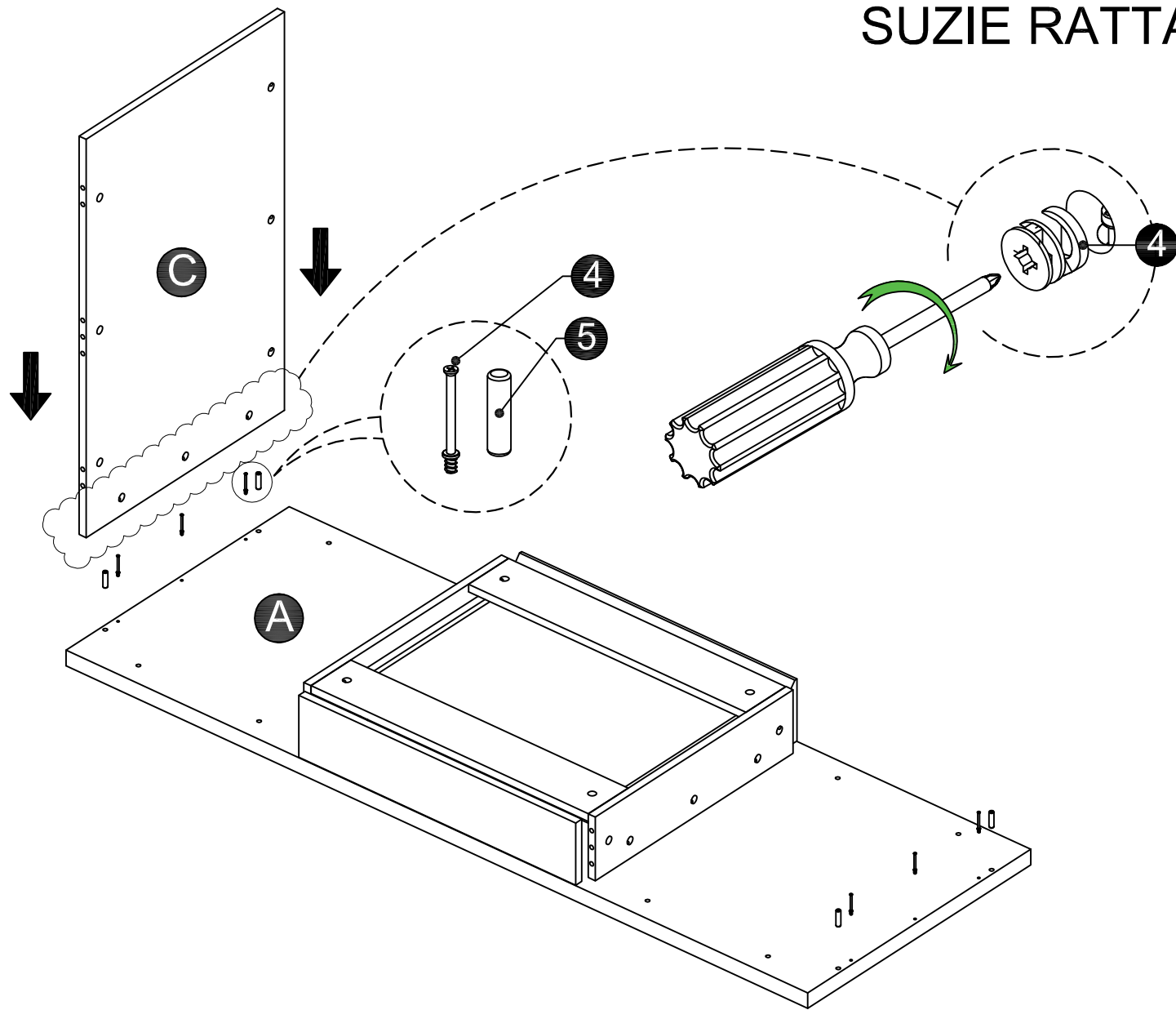


Do NOT assemble on flooring or carpet Assemble on a clean not-marring surface (ex: packing foam)



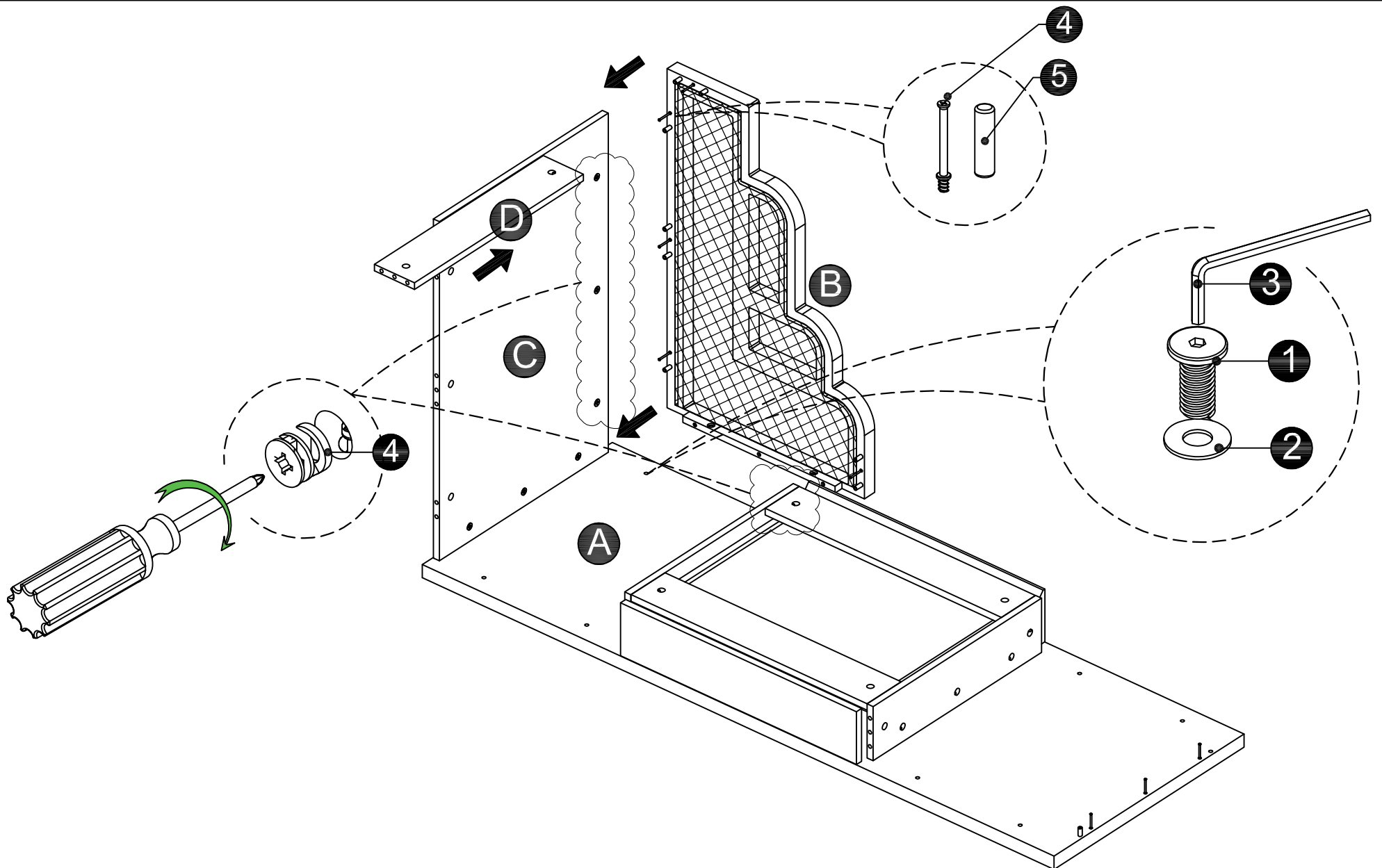
Save all packaging until assembly is completed

SUZIE RATTAN DESK



STEP
1

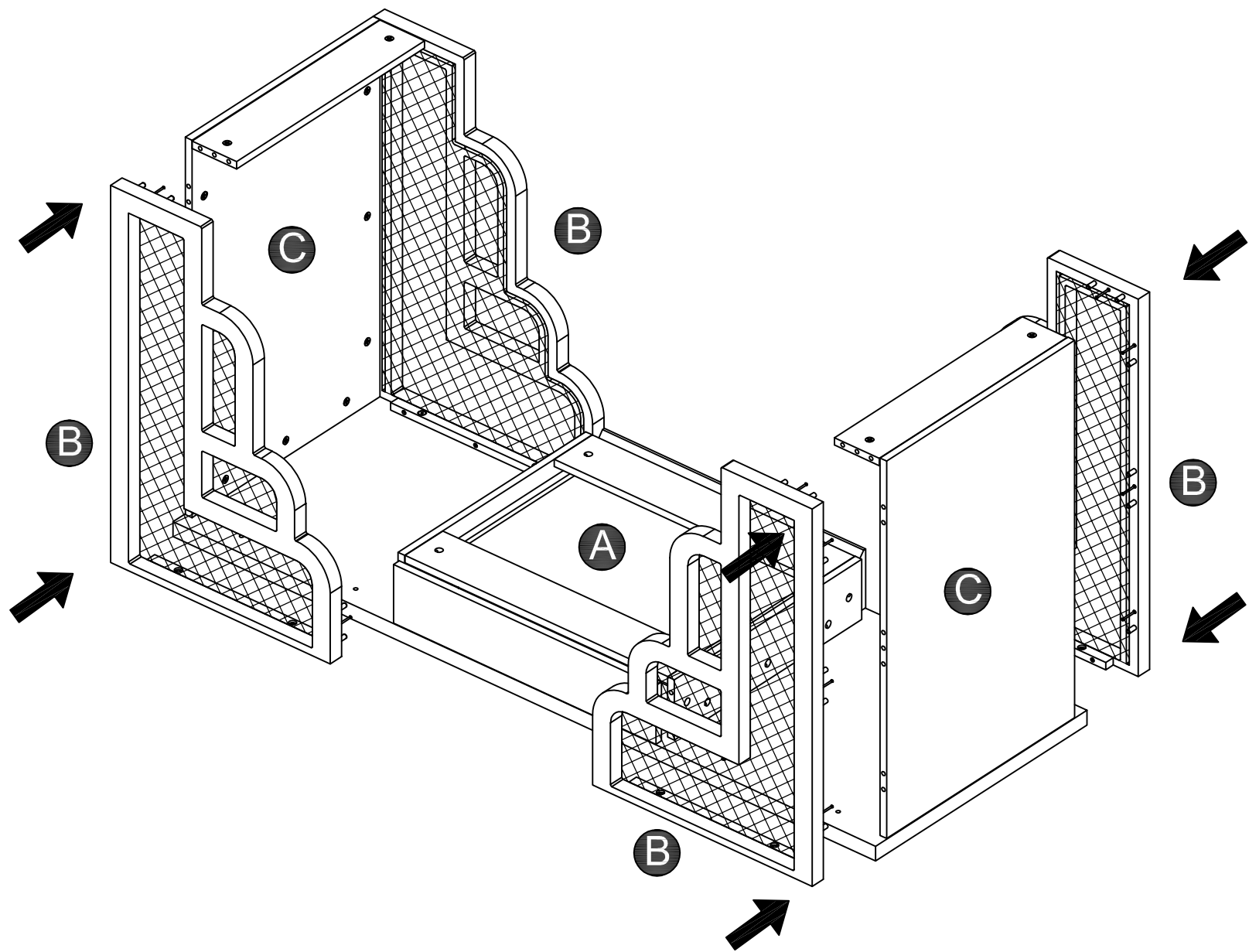
Insert the camlock (4) and dowels (5) into the predrilled holes on the underside of the desktop. Then attach the desk sides (C) and secure them in place by locking the camlocks (4).



STEP
2

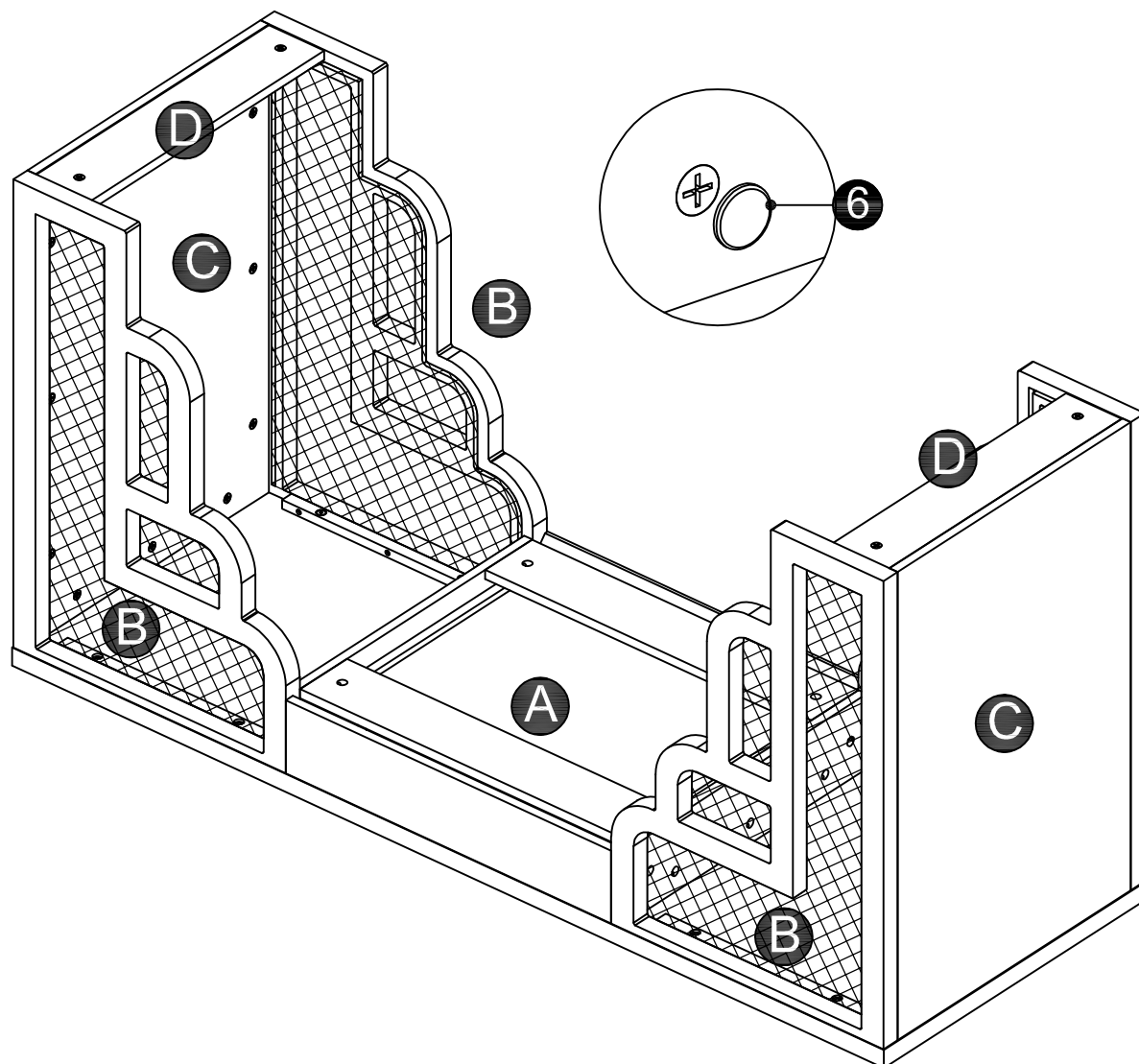
Insert the camlocks (4) and dowels (5) into the pre-dilled holes on the desk legs (B) and attach them to the desk sides (C). Secure them to the sides by locking the camlocks (4) and to the desktop with the included bolts (1) and washers (2).

SUZIE RATTAN DESK



STEP
3

Repeat the previous steps for the second side.



STEP
4

Install sticker (6)

CARE & MAINTENANCE



Do not put hot items directly on furniture surface



Do not clean furniture with harsh cleansers or polish



Dust and wipe up spills using a clean, non-colored, lint-free cloth



Stains may be removed with a mild soap solution and a damp cloth



Do not place furniture under direct sunlight



Do not place furniture near heating or cooling vents



Do not write on furniture without a padded barrier to protect the surface



Do not place furniture outside, for indoor use only

**"Need a part? Call TOV at 516-888-3355 or
email service@tovfurniture.com"**