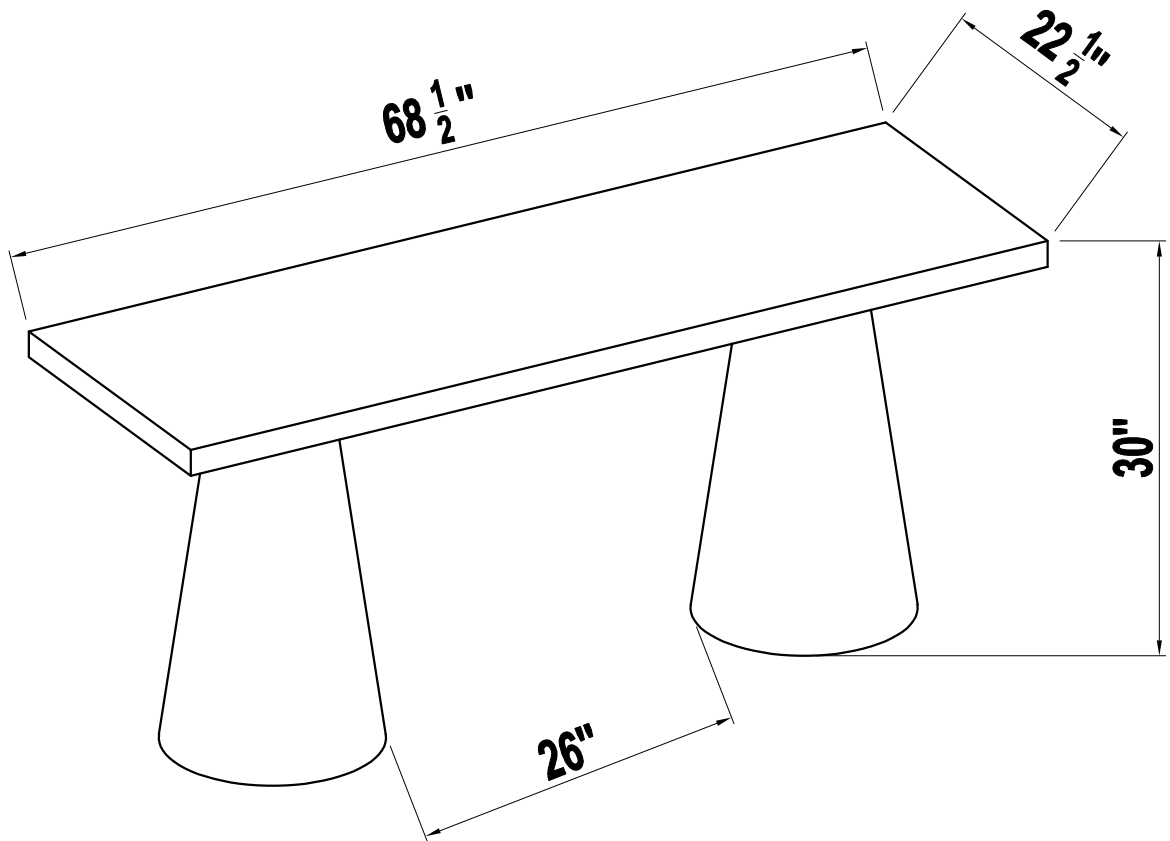


Dayana Desk in Faux Plaster





Dayana




ASSEMBLY INSTRUCTIONS



PARTS LIST

LABEL	PICTURE	DESCRIPTION	QTY
A		Top	1
B		Base	2

PARTS LIST

LABEL	PICTURE	DESCRIPTION	QTY
C		BOLT M8x25	8
D		Washer	8
E		ALLEN KEY	1

BEFORE BEGINNING ASSEMBLY:



Read instructions cover to cover



Have two adults on hand for assembly



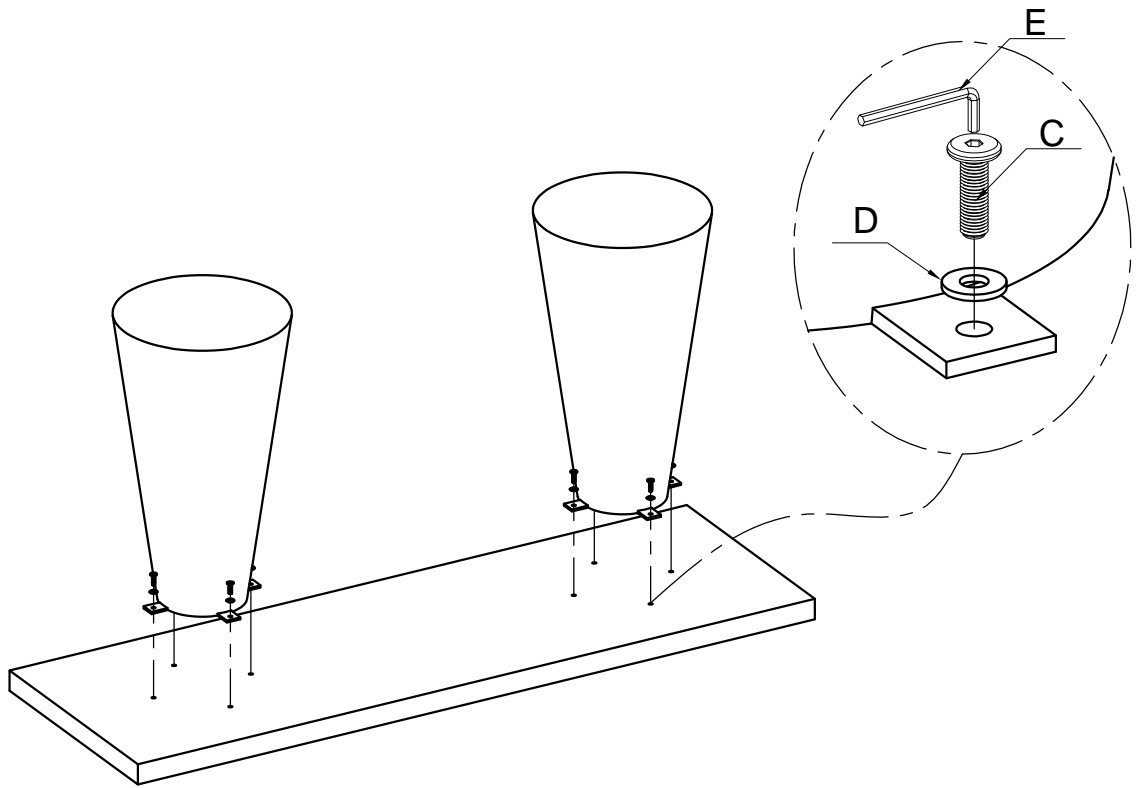
Do NOT assemble on flooring or carpet. Assemble on a clean non-marring surface (ex: packing foam)



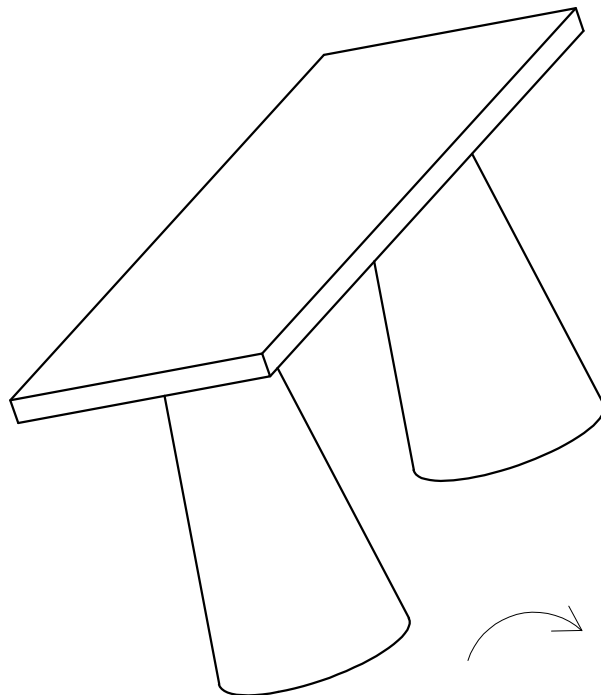
Save all packaging until assembly is completed

ASSEMBLY STEPS

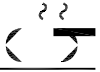
STEP#1



STEP#2



CARE & MAINTENANCE



Do not put hot items directly on furniture surface.



Do not clean furniture with harsh cleansers or polish

Dust and wipe up spills using a clean, non-colored, lint-free cloth.

Stains may be removed with a mild soap solution and a damp cloth.

Do not place furniture under direct sunlight.

Do not place furniture near heating or cooling vents.

Do not write on furniture without a padded barrier to protect the surface.

Safe for outdoor, recommend under roof

"Need a part? Call TOV at 516-888-3355 or

[email service@tovfurniture.com](mailto:email_service@tovfurniture.com)"