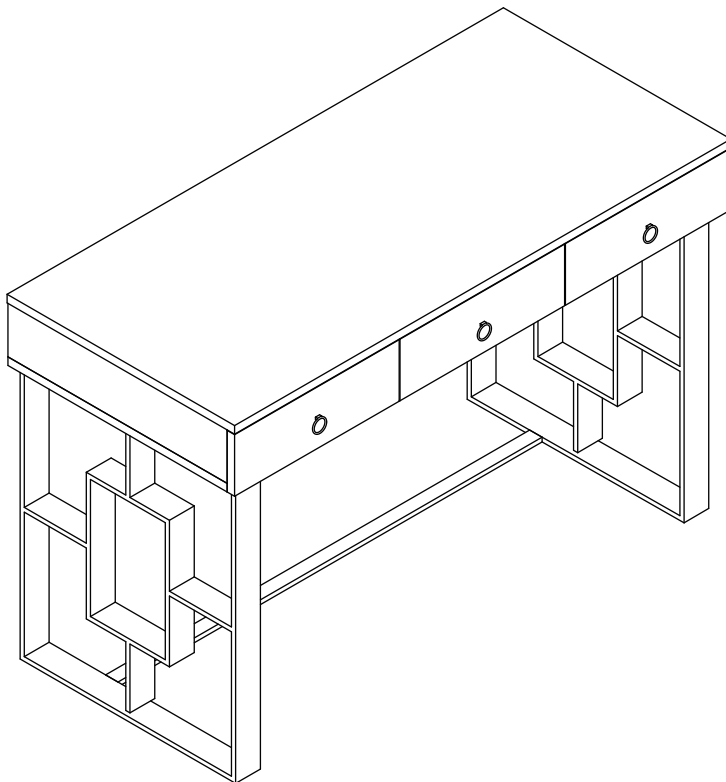


**Audrey Lacquer Desk**

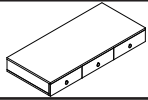
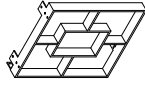
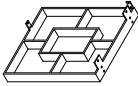

**AUDREY**

---


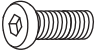


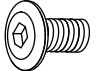
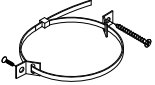
**ASSEMBLY INSTRUCTIONS**



# PARTS LIST

LABEL	PICTURE	DESCRIPTION	QTY
①		Body	1
②		Left Leg	1
③		Right Leg	1
④		Center Bar	2

# HARDWARE

LABEL	PICTURE	DESCRIPTION	QTY
A		Allen Key M5	1
B		Bolt M8*20	12
C		Washer M8*20	12
D		Allen Key M4	1
E		Bolt M6*8	8
F		Furniture Tipping Restraint	2

## BEFORE BEGINNING ASSEMBLY:



*Read instructions cover to cover*



*Have two adults on hand for assembly*



*Do NOT assemble on flooring or carpet. Assemble on a clean non-marring surface (ex: packing foam)*

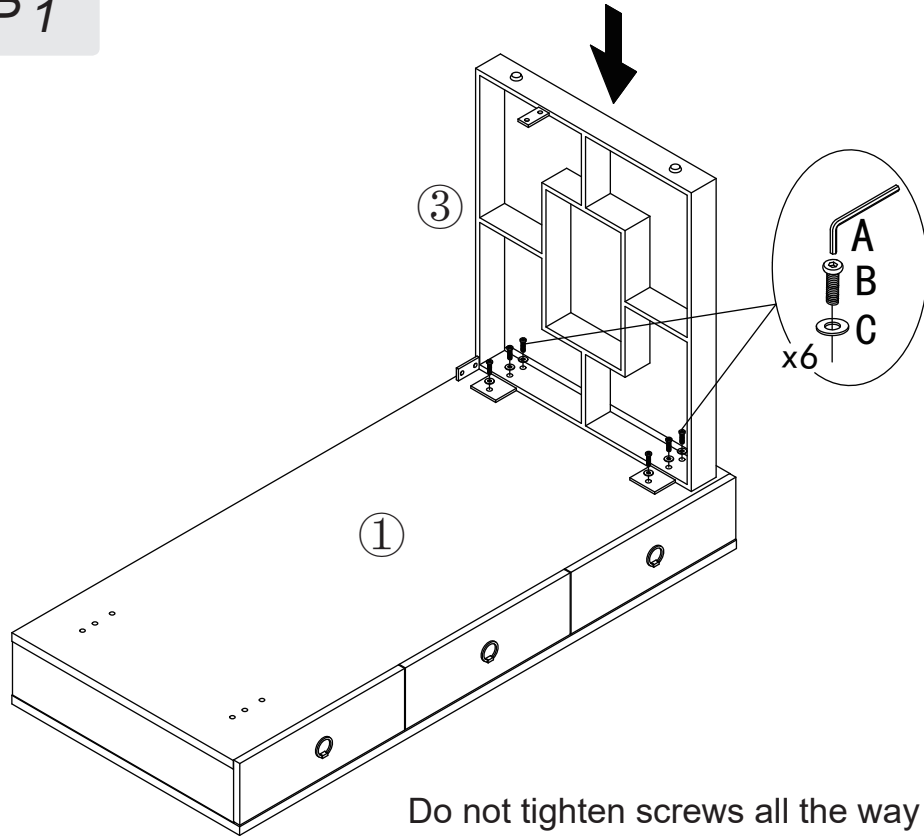


*Save all packaging until assembly is completed*

*Need a part? Call TOV at 516-888-3355 or email [service@tovfurniture.com](mailto:service@tovfurniture.com)*

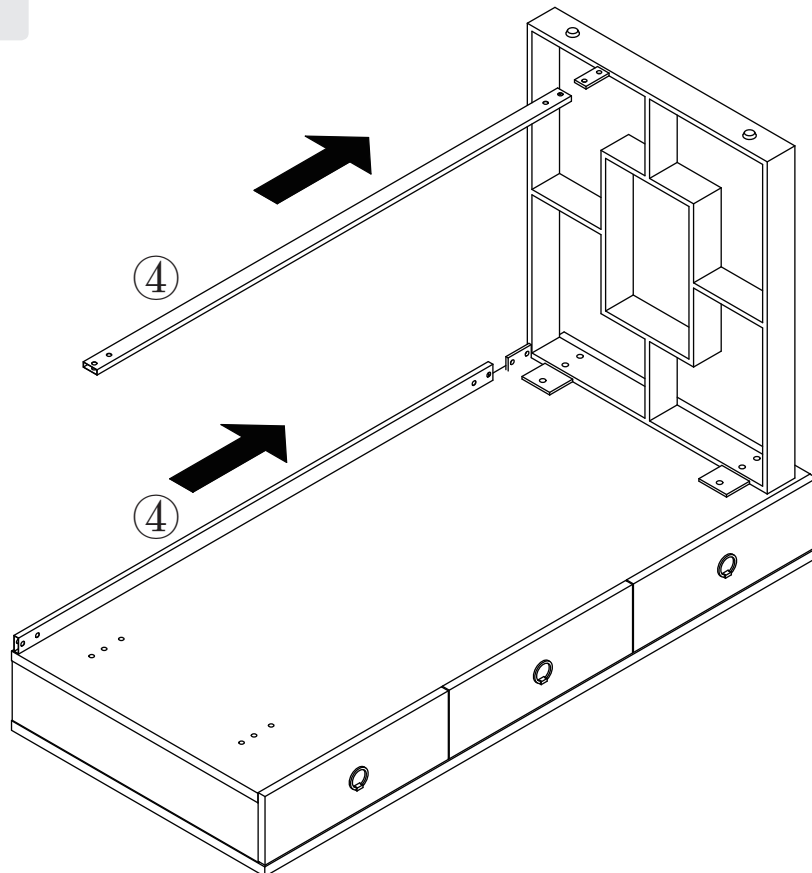
# ASSEMBLY STEPS

## STEP 1

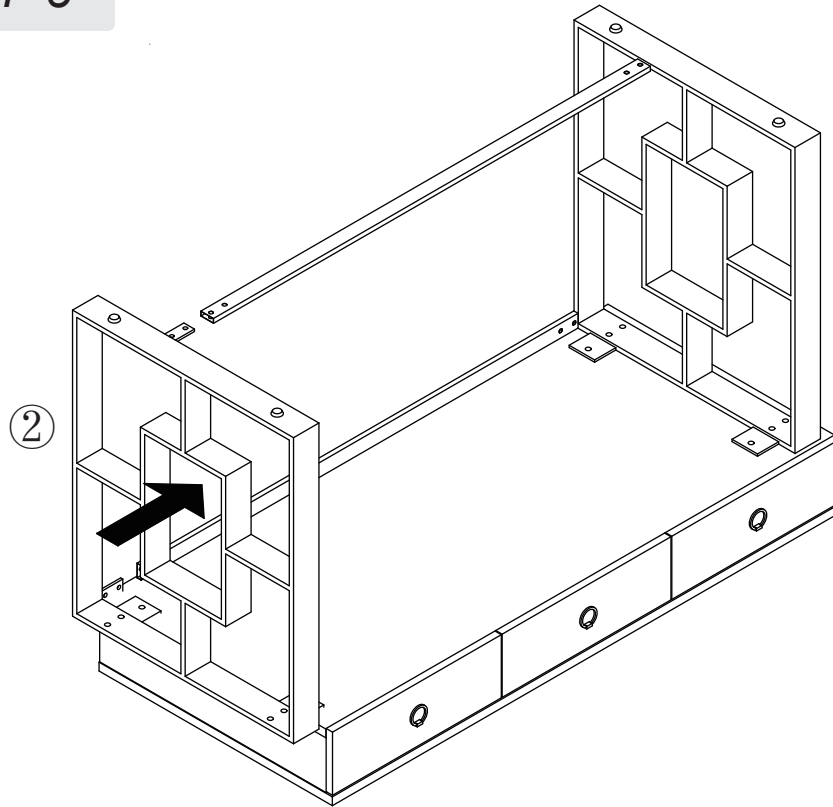


Do not tighten screws all the way at this point

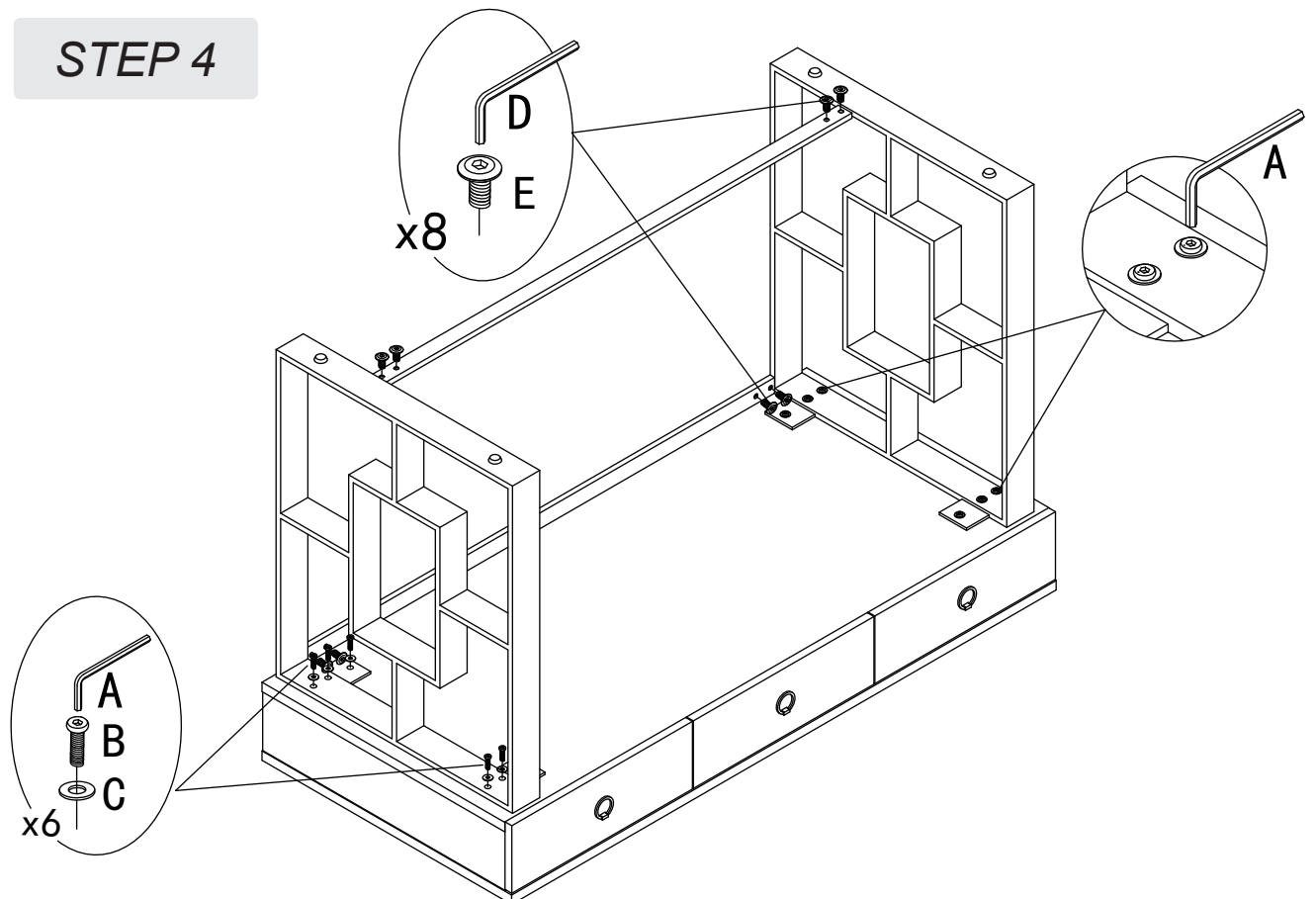
## STEP 2



### STEP 3

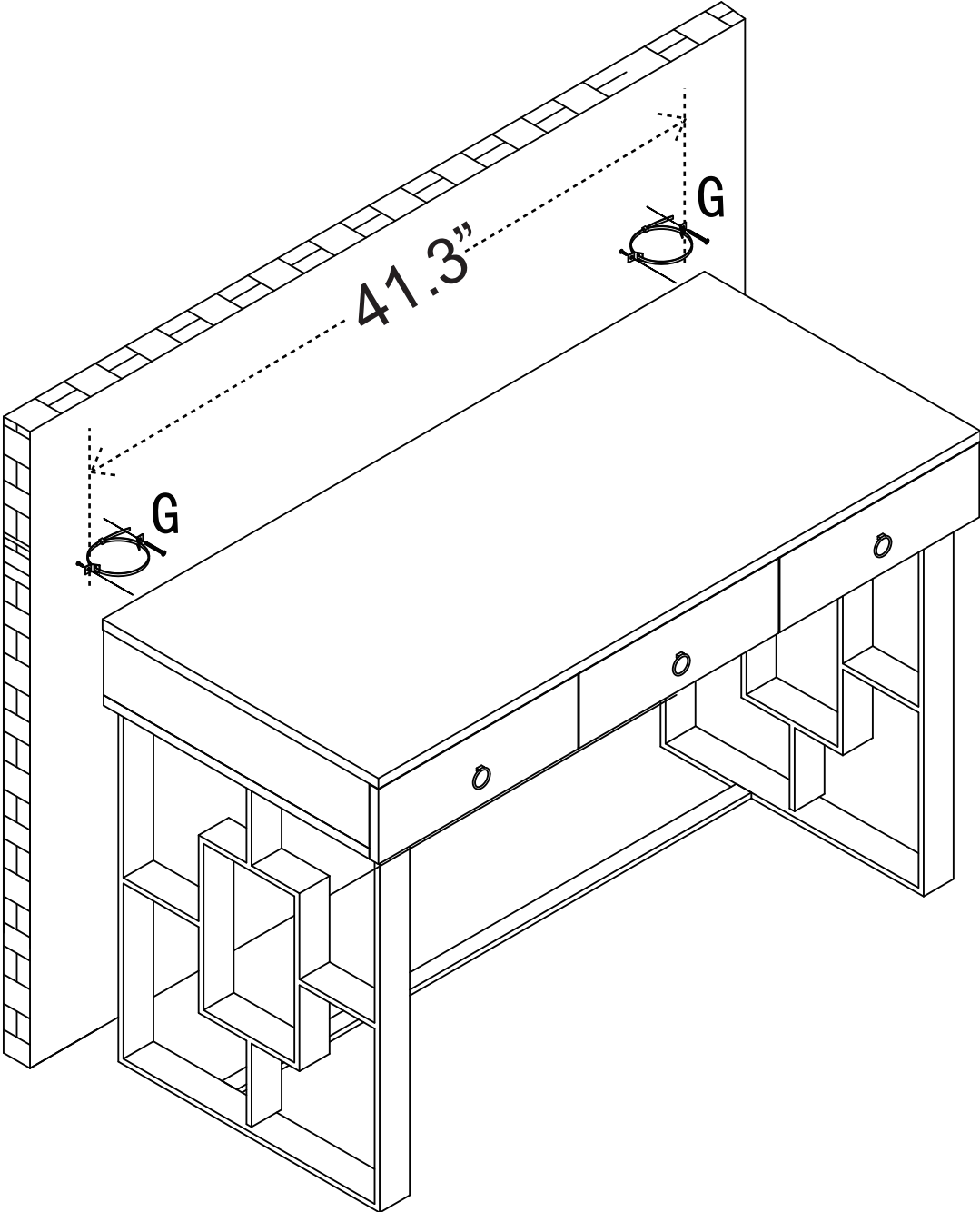


### STEP 4



Once the legs have been installed to the body , all screws should be fully tightened

**STEP 5**



## CARE & MAINTENANCE



**Do not put hot items directly on furniture surface.**



**Do not clean furniture with harsh cleansers or polish.**



**Dust and pick up spills using a clean, non-colored, lint-free cloth.**



**Stains may be removed with mild soap solution and a damp cloth.**



**Do not place furniture under direct sunlight.**



**Do not place furniture near heating or cooling vents.**



**Do not write on furniture without a padded barrier to protect the surface.**



**Do not place furniture outside, for indoor use only.**