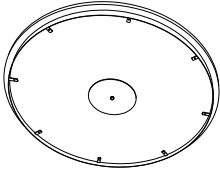
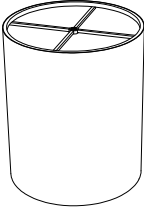
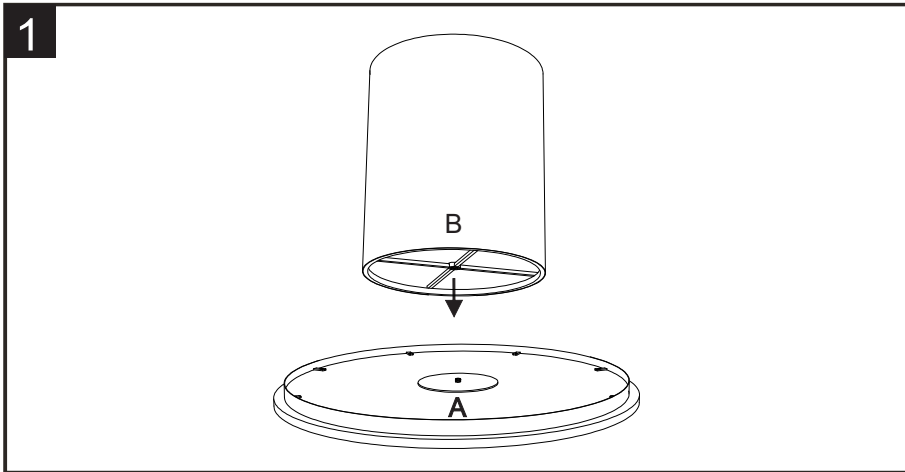


Part List and Hardware List

PRICE	DESCRIPTION	PICTURE	QUANTITY
A	TABLE TOP		1X
B	BASE		1X

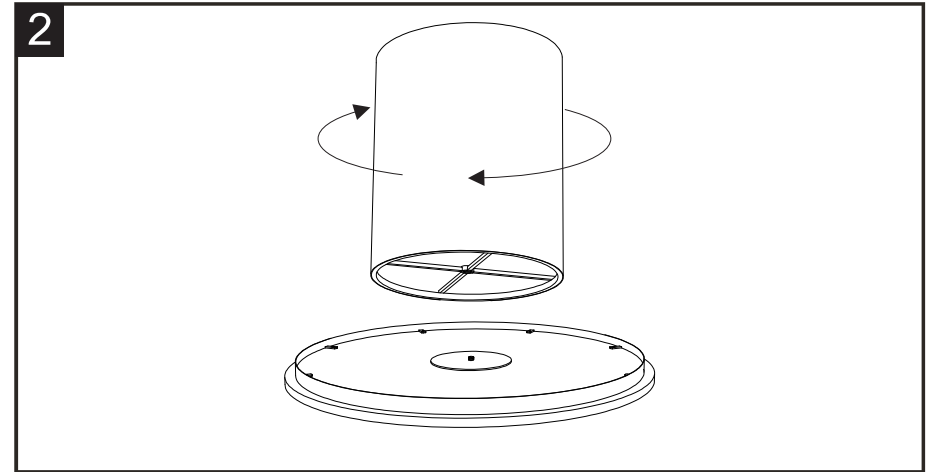
PREPARATION

Before beginning assembly of product, make sure all parts are present. Compare parts with package contents list and hardware contents list. If any part is missing or damaged, do not attempt to assemble the product. Estimated Assembly Time: 10 minutes.



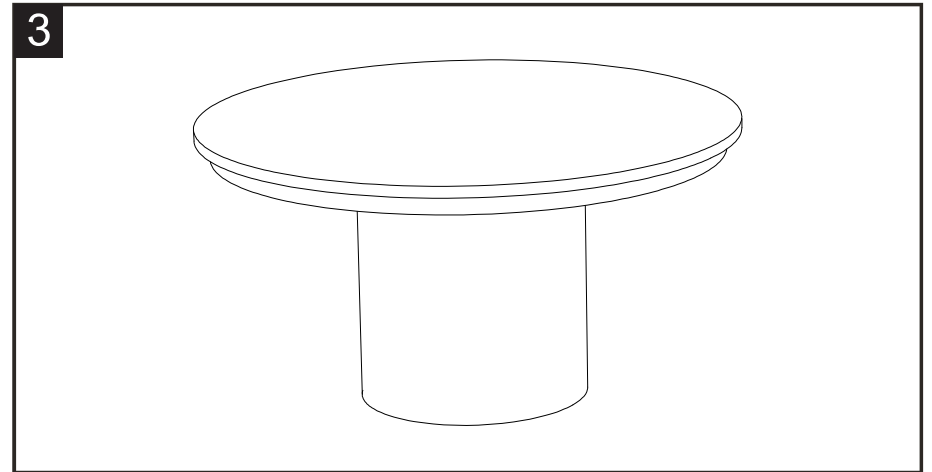
Step - 1

Place the Metal base (B) on the marble top (A)



Step 2

Install the Metal base (B) to the marble top (A) and rotate clockwise Metal base (B) until Metal base (B) fully tightened with marble top (A).



Step 3

Turn over the table for use

CARE AND MAINTENANCE

1. Do not use acids or alkaline cleaning agents.
2. Sharp objects will damage and scratch the surface.
3. Wipe the surface with a soft, damp cloth.
4. Please make sure that you have all parts indicated before you begin assembly of this item
5. This item should be assembled on a soft surface to prevent scratching the finish during assembly
6. This item may require periodic tightening

ALISIN MARBLE DINING TABLE TOV-GT5506

TOV

ALISIN MARBLE DINING TABLE ASSEMBLY INSTRUCTIONS

