

## CARE AND MAINTENANCE

- Do not use acids or alkaline cleaning agents.
- Sharp objects will damage and scratch the surface.
- Wipe the surface with a soft, damp cloth.
- Please make sure that you have all parts indicated before you begin the assembly of this item.
- This item should be assembled on a soft surface to prevent scratching the finish during assembly.
- This item may require periodic tightening.

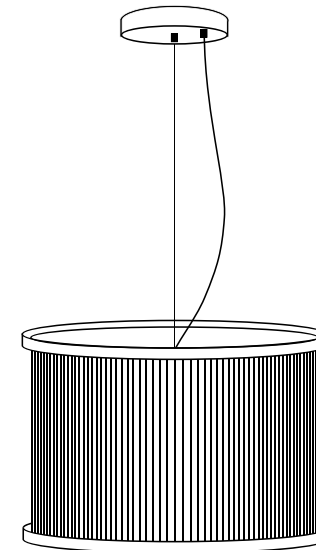
## MARIANA PENDANT LAMP

# TOV

## MARIANA



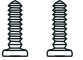


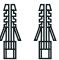
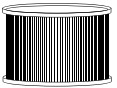
---

### ASSEMBLY INSTRUCTIONS



Need a part? Call TOV at 516-888-3355 or email [service@tovfurniture.com](mailto:service@tovfurniture.com)

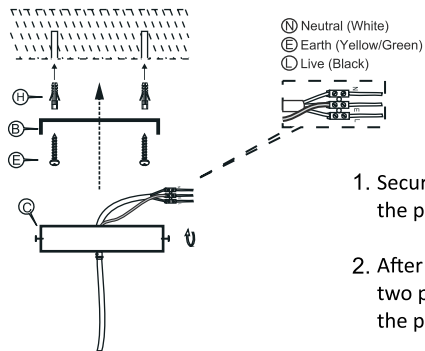
# PARTS LIST & HARDWARE LIST

LABEL	DESCRIPTIONS	PICTURE	QTY
A	CANOPY		1X
B	MOUNTING PLATE		1X
C	SIDE SCREW		2X
D	PLASTIC CONNECTORS		3X
E	SCREW		2X
F	PLASTIC CEILING MOUNTS		2X
G	SHADE		1X

## PREPARATION

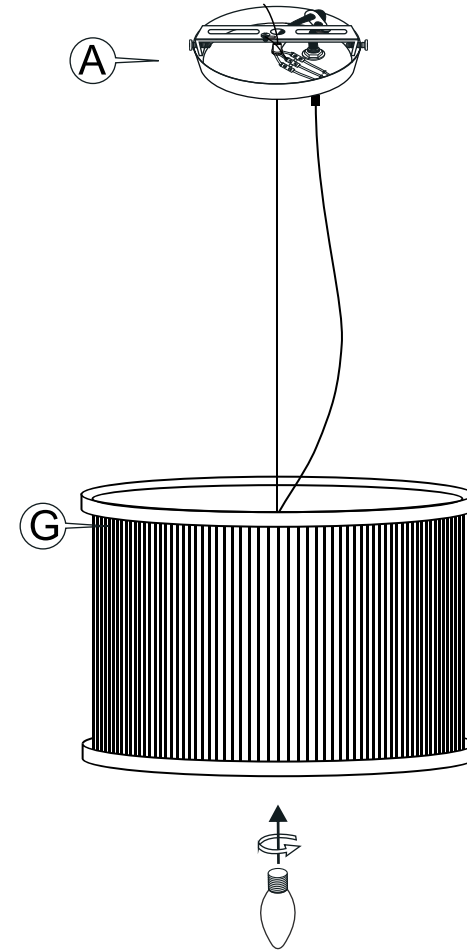
Before beginning assembly of product, make sure all parts are present. Compare parts with package contents list and hardware contents list. If any part is missing or damaged, do not attempt to assemble the product. Estimated assembly time : 10 minutes.

## STEP 1



1. Secure the mounting plate (B) with screw (E) in the plastic ceiling mounts (F).
2. After securing the mounting plate (B), connect the two power wires coming out from the ceiling to the plastic connector (D)

## STEP 2



3. Tighten the canopy (A) with side screw (C) to the mounting plate (B)
4. Secure the Light Bulb / 1 x E26 into the Lamp Holder (bulb not included)