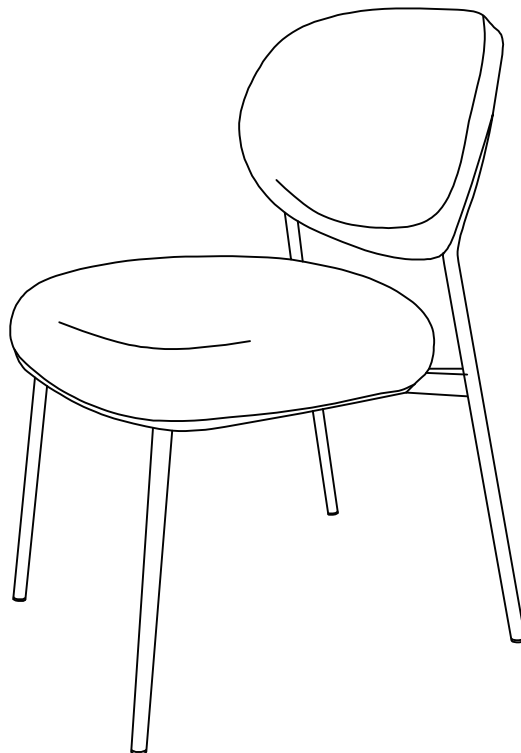


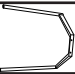



MCKENZIE

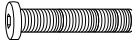



ASSEMBLY INSTRUCTIONS



PARTS LIST

LABEL	PICTURE	DESCRIPTION	QTY
①		Seat	1
②		Back And Legs	1
③		Front Legs	1
④		Felt Pad	2

HARDWARE

LABEL	PICTURE	DESCRIPTION	QTY
A		Bolt (M6x45mm)	4
B		Bolt (M6x16mm)	2
C		Flat Washer (M6x16mm)	6
D		Allen Key	1

BEFORE BEGINNING ASSEMBLY:



Read instructions cover to cover



Have two adults on hand for assembly



Do NOT assemble on flooring or carpet. Assemble on a clean non-marring surface (ex: packing foam)



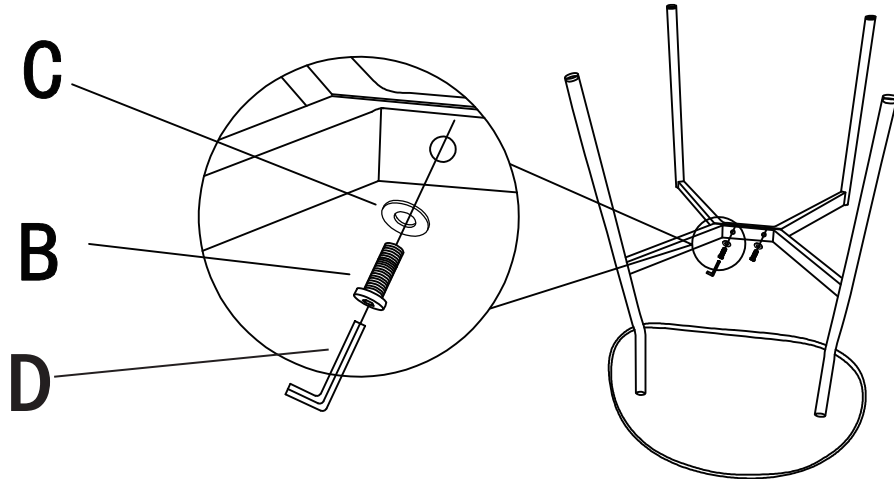
Save all packaging until assembly is completed

Need a part? Call TOV at 516-888-3355 or email service@tovfurniture.com

ASSEMBLY STEPS

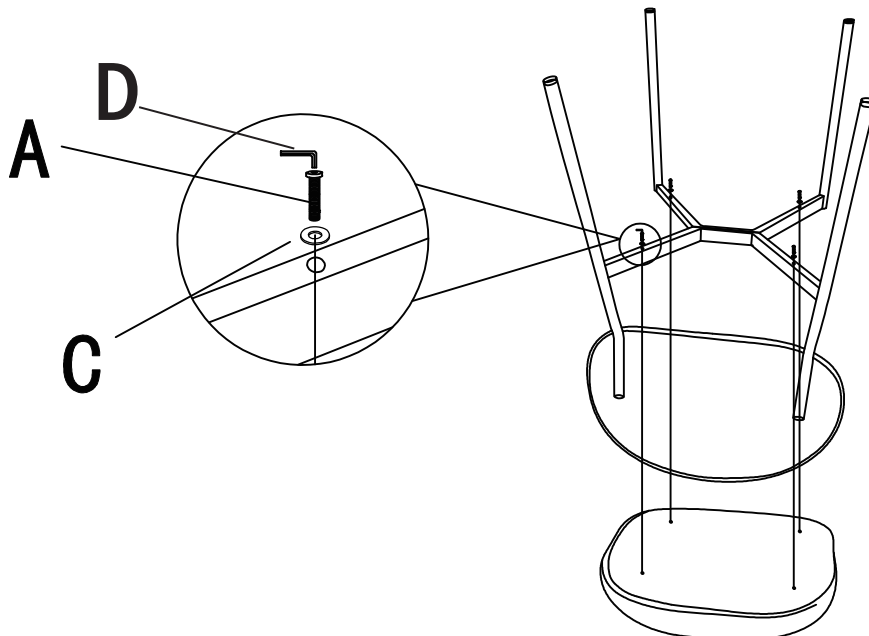
STEP 1

Assemble the back and front legs with the included hardware. Do not tighten the screws fully at this point.



STEP 2

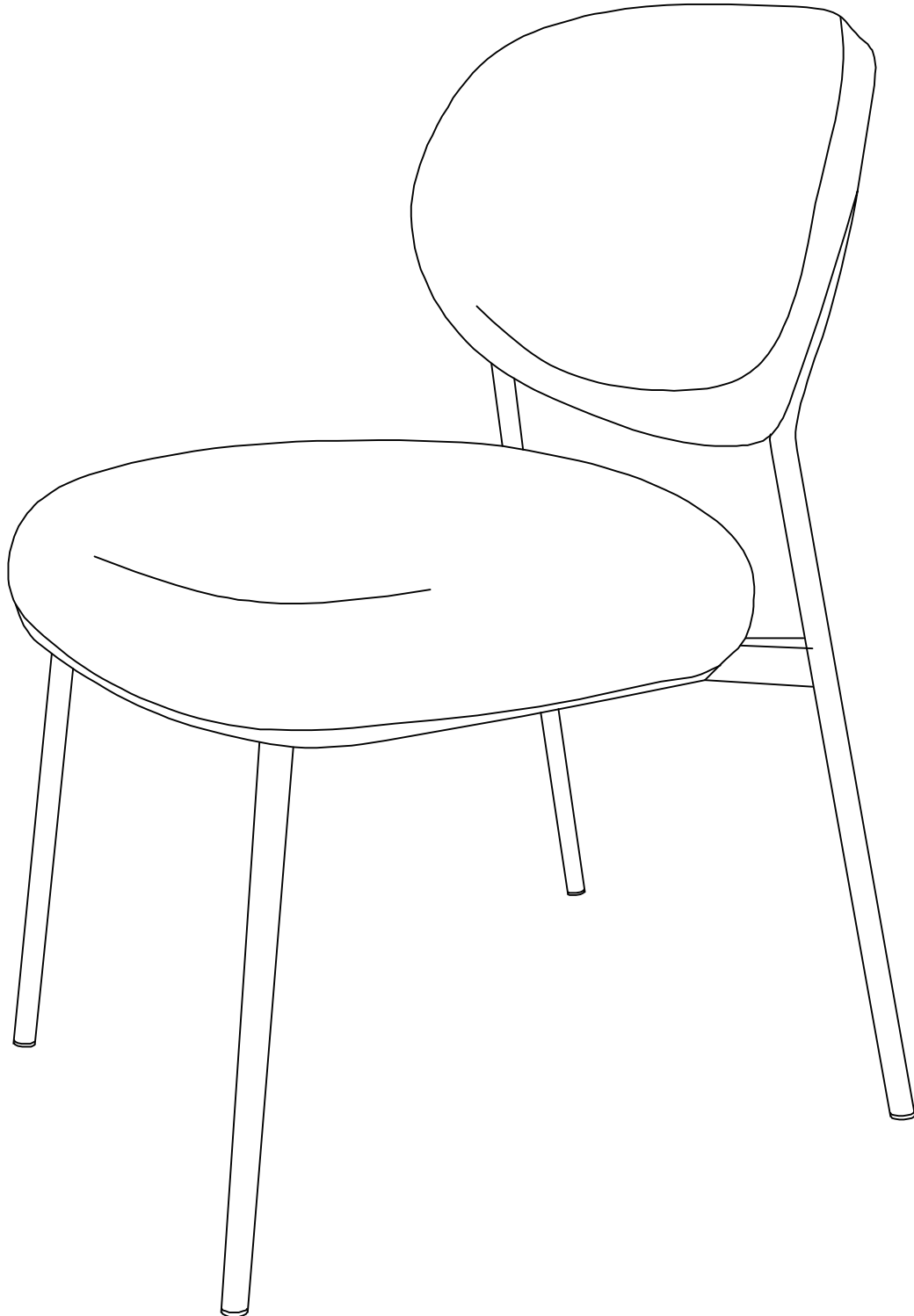
Attach the legs to the seat as shown. Do not tighten the screws fully at this point.



ASSEMBLY STEPS

STEP 3

Set the chair upright and ensure the legs are level. Once done, finish tightening the screws and the assembly is complete.



CARE & MAINTENANCE



Do not put hot items directly on furniture surface.



Do not clean furniture with harsh cleansers or polish.



Dust and pick up spills using a clean, non-colored, lint-free cloth.



Stains may be removed with mild soap solution and a damp cloth.



Do not place furniture under direct sunlight.



Do not place furniture near heating or cooling vents.



Do not write on furniture without a padded barrier to protect the surface.



Do not place furniture outside, for indoor use only.

Important Tip

We don't suggest stacking the chairs together for a long time as it may damage the seat of the chair. We recommend using the included felt pads for short time stacking.

④ Felt Pad

