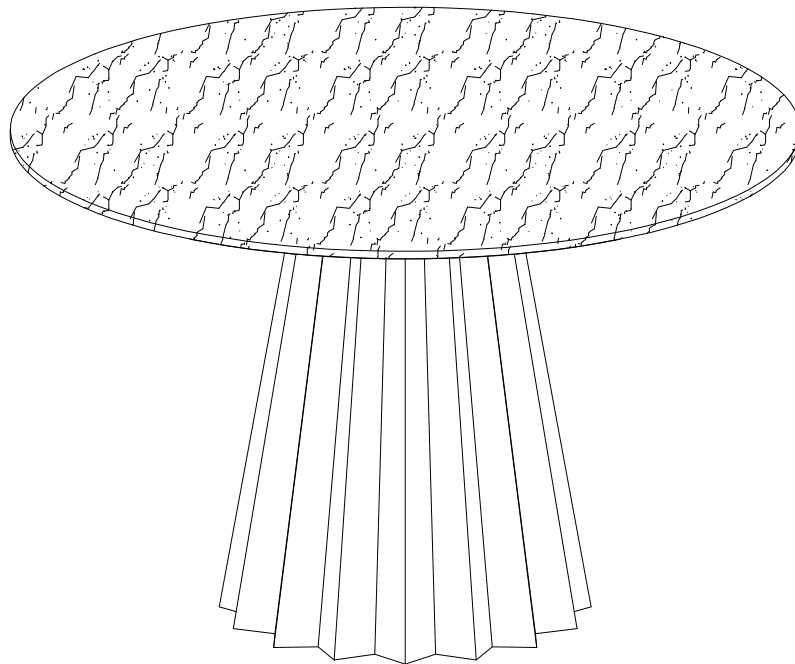


JIMENA DINING TABLE

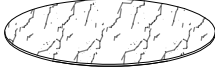

# JIMENA

---

ASSEMBLY INSTRUCTIONS



## PARTS LIST

LABEL	PICTURE	DESCRIPTION	QTY
<b>A</b>		<b>Top</b>	<b>1</b>
<b>B</b>		<b>Base</b>	<b>1</b>

## HARDWARE

LABEL	PICTURE	DESCRIPTION	QTY
<b>C</b>		<b>Screw M6*30</b>	<b>4</b>
<b>D</b>		<b>Spring Washer M6</b>	<b>4</b>
<b>E</b>		<b>Washer Ø(16-6)*1.5</b>	<b>4</b>
<b>F</b>		<b>Allen Key Ø4</b>	<b>1</b>

### BEFORE BEGINNING ASSEMBLY:



*Read instructions cover to cover*



*Have two adults on hand for assembly*



*Do NOT assemble on flooring or carpet. Assemble on a clean non-marring surface (ex: packing foam)*

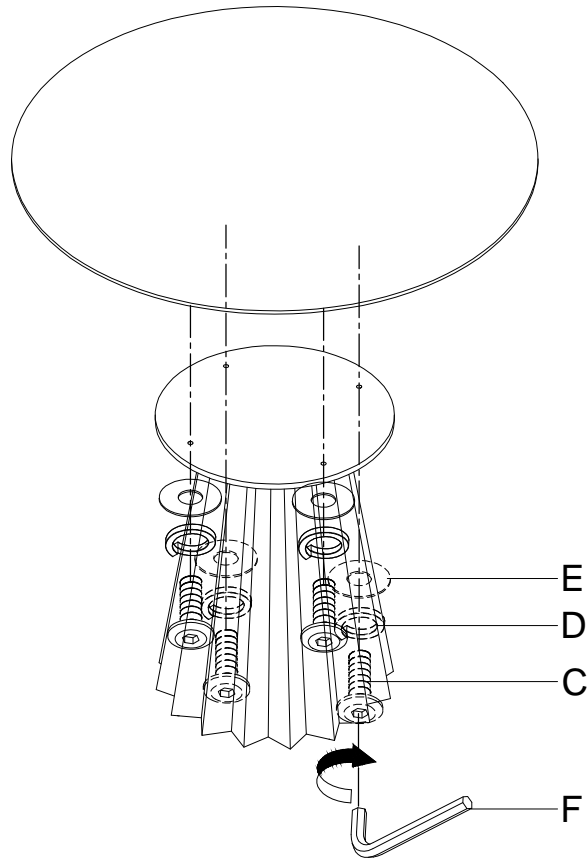


*Save all packaging until assembly is completed*

*Need a part? Call TOV at 516-888-3355 or email [service@tovfurniture.com](mailto:service@tovfurniture.com)*

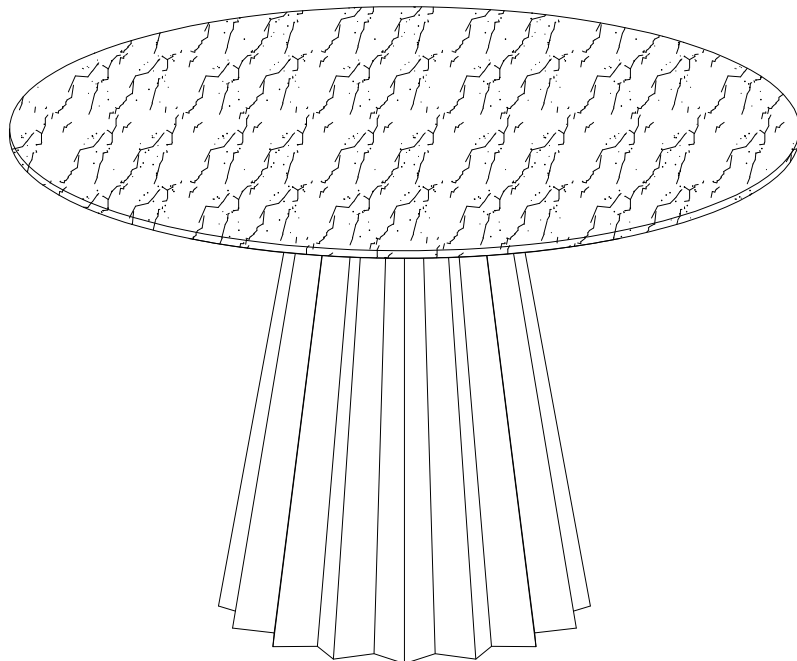
# ASSEMBLY STEPS

## STEP 1



## STEP 2

Assembly is now complete.



---

## CARE & MAINTENANCE

---



**Do not put hot items directly on furniture surface.**



**Do not clean furniture with harsh cleansers or polish.**



**Dust and wipe up spills using a clean, non-colored, lint-free cloth.**



**Stains may be removed with mild soap solution and damp cloth.**



**Do not place furniture under direct sunlight.**



**Do not place furniture near heating or cooling vents.**



**Do not write on furniture without a padded barrier to protect the surface.**



**Do not place furniture outside. For indoor use only.**