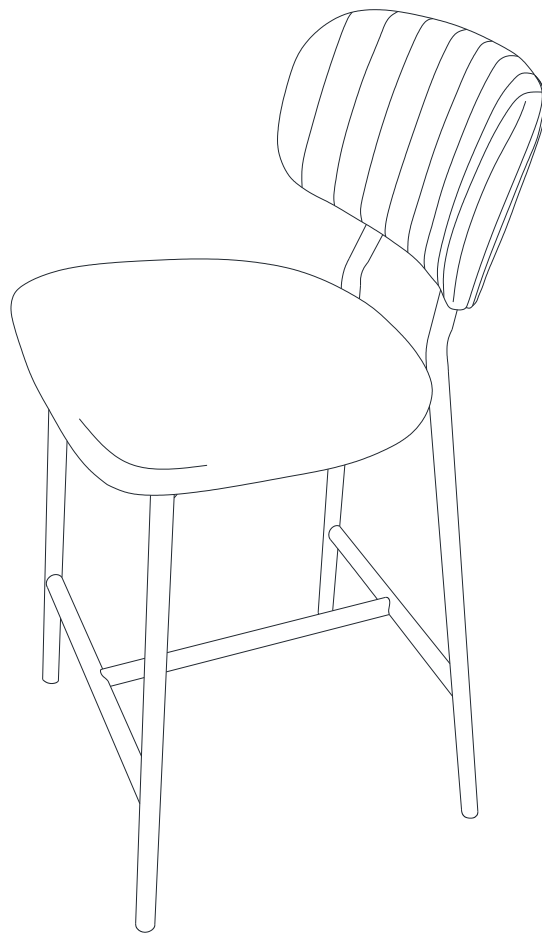





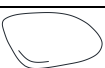
T O V

Ariana Counter Stool - Gold Legs

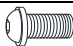
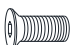



Assembly Instructions



Parts List






Label	Picture	Description	QTY
A		Seat	1
B		Chair Leg	1
C		Link bar	1
D		Big chair	1

Hardware

Label	Picture	Description	QTY
F		Bolt	4
G		Countersunk head screw	4
H		Flat Washer	4
I		Allen Key	1
J		Allen Key	1

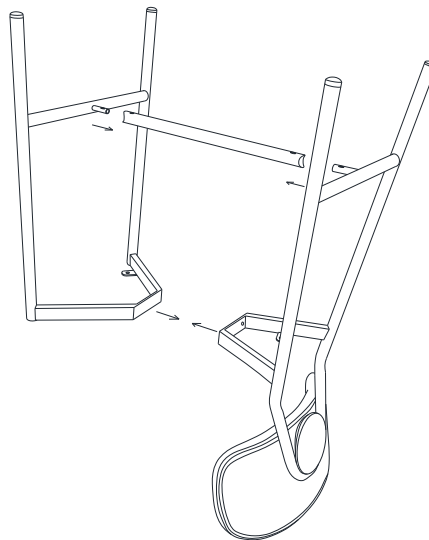
Assembly Preparation

Before Beginning Assembly:

-  • Read instructions, cover to cover-
-  • Have 2 adults on hand for assembly-
-  • Do not assemble on flooring or carpet-
-  • Assemble on a clean non-marring surface (packing foam)-
-  • Save all packaging until finished-

Assembly Steps

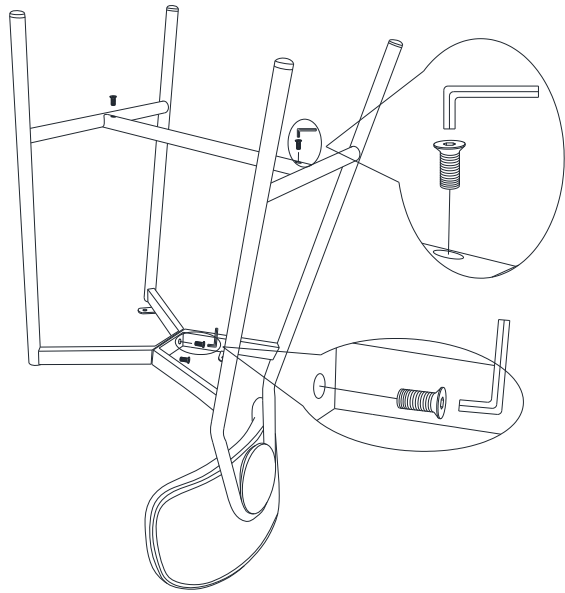
Step 1



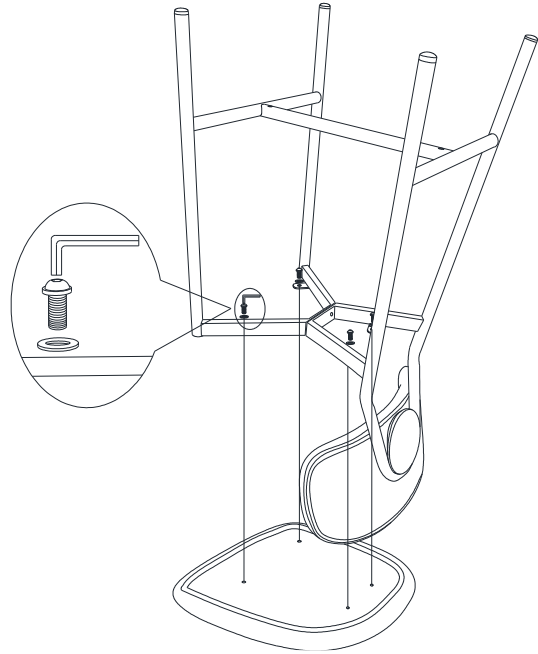
Place the seat faced down as shown

Align the holes of the leg frame and seat and attach with provided hardware.

Step 2



Step3



Care & Maintenance



• Do not put hot items directly on furniture surface.



• Do not clean furniture with harsh cleansers or polish.



• Do not place furniture under direct sunlight.



• Do not place furniture near heating or cooling vents.



• Do not write on furniture without a padded barrier to protect the surface.



• Do not place furniture outside. For indoor use only.



• Not for commercial use. For residential use only.



• Stains may be removed with mild soap solution and damp cloth.



• Dust and pick-up spills using a clean, non-colored, lint-free cloth.