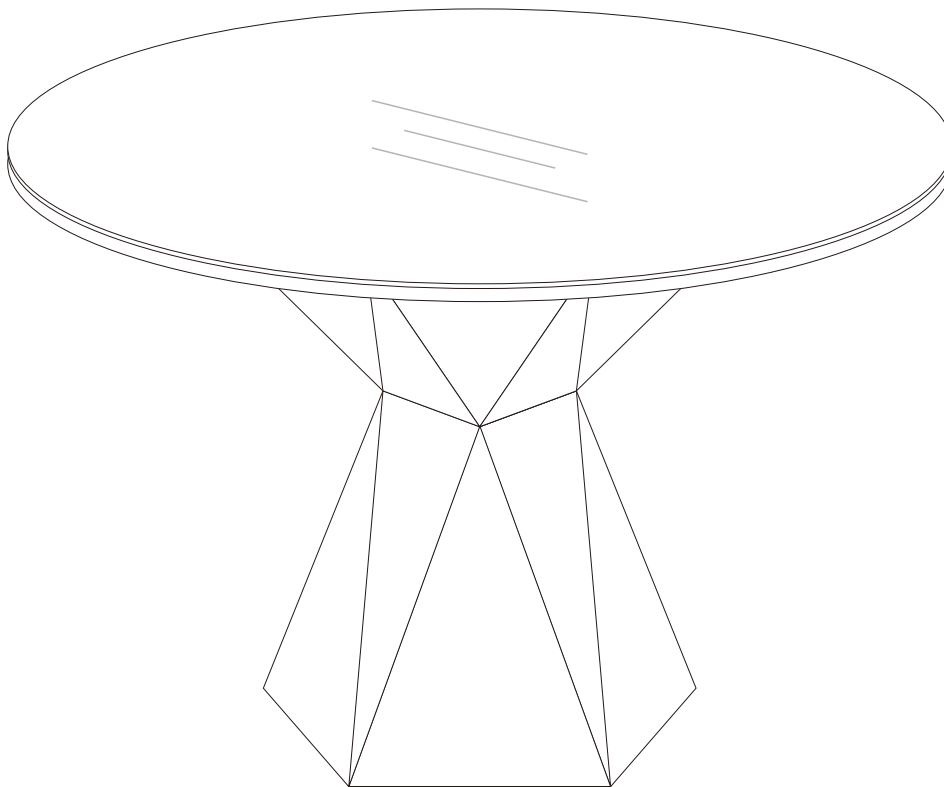




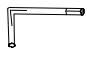




Iris Glass Dining Table

Iris Glass Dining Table

ASSEMBLY INSTRUCTIONS



PARTS LIST

LABEL	PICTURE	DESCRIPTION	QTY
A		TOP	1
B		Base	1
C		AllenKey	1
D		Bolts M8*35mm	6
E		Flat Washer	6
F		Spring Washer	6
G		Wood Peg	2

BEFORE BEGINNING ASSEMBLY:



Read instructions cover to cover



Have two adults on hand for assembly



Do NOT assemble on flooring or carpet. Assemble on a clean non-marring surface (ex: packing foam)

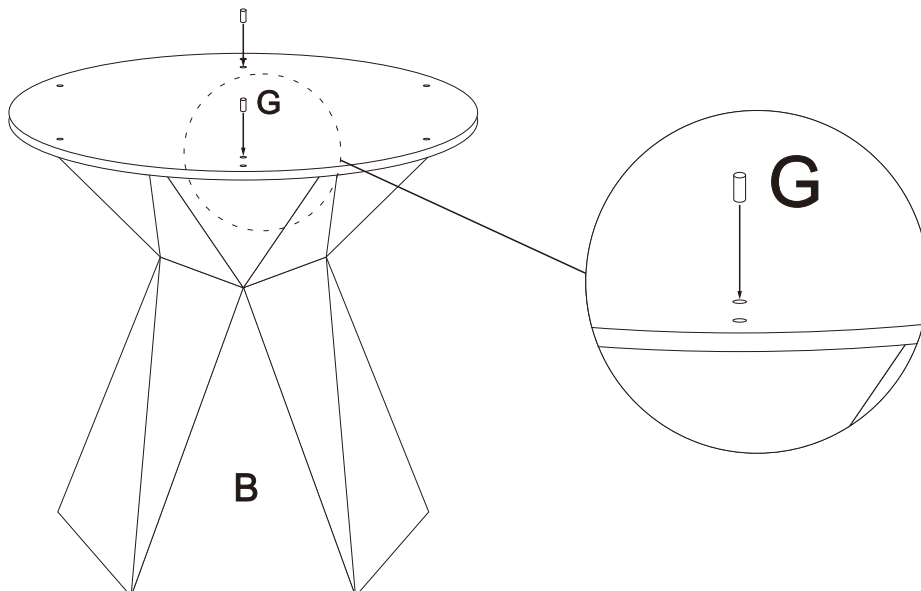


Save all packaging until assembly is completed

Need a part? Call TOV at [516-888-3355](tel:516-888-3355) or email service@tovfurniture.com

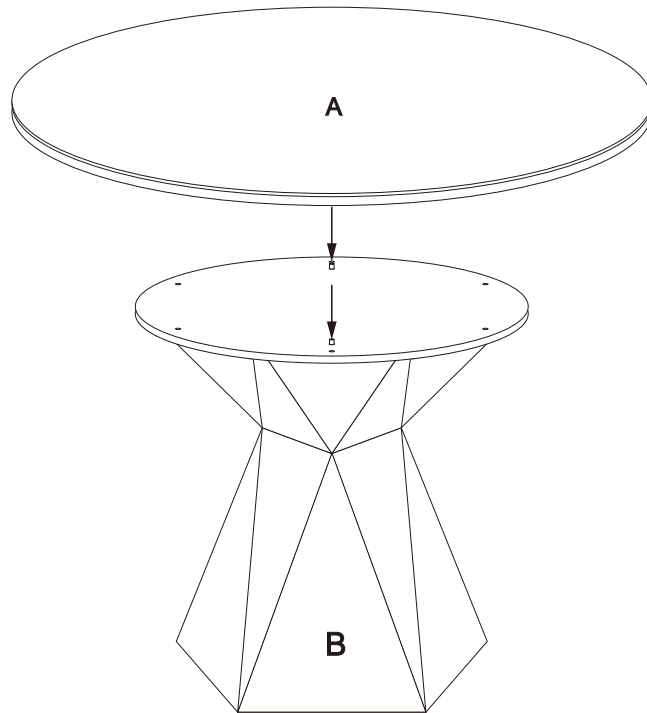
ASSEMBLY STEPS

STEP 1

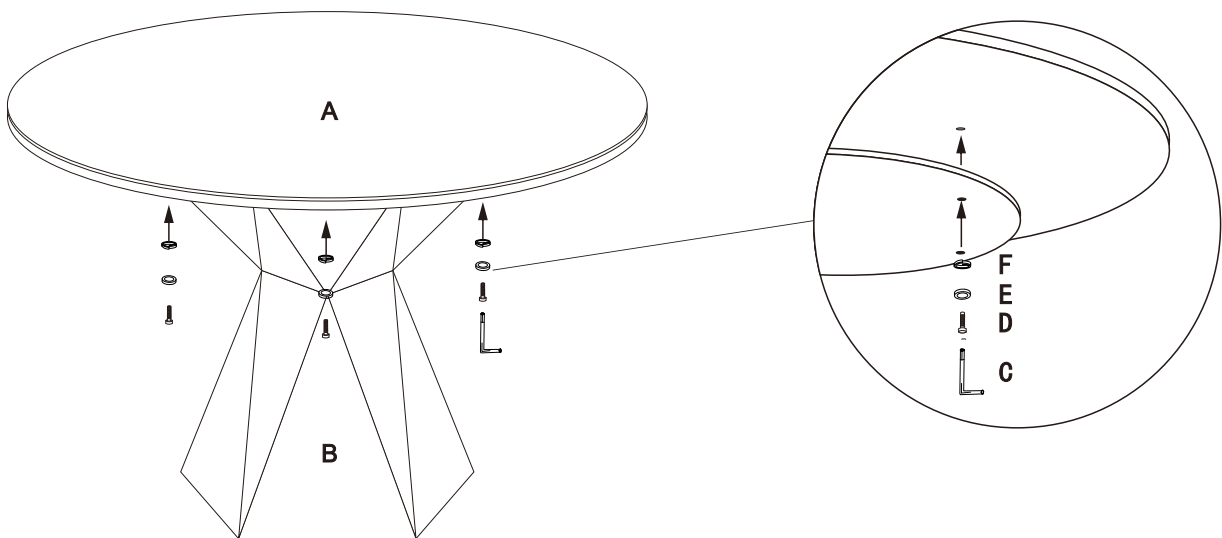


ASSEMBLY STEPS

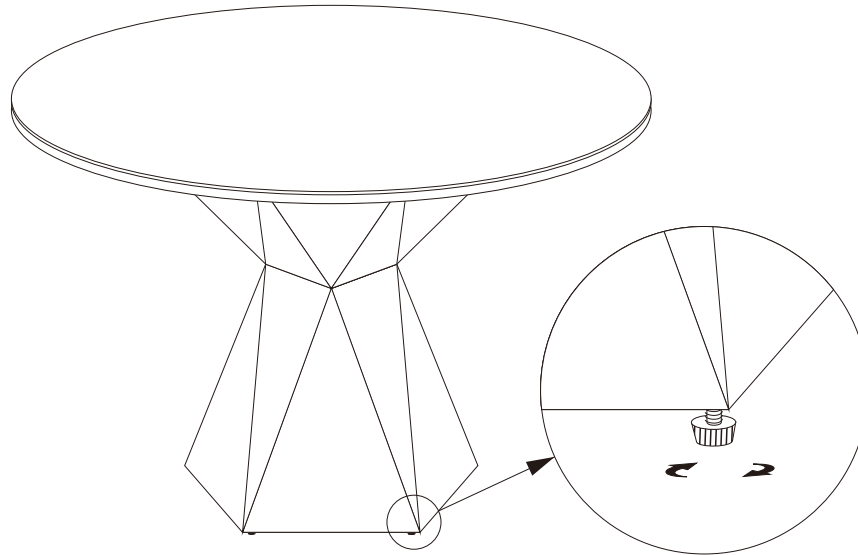
STEP 2



STEP 3



STEP 4



CARE & MAINTENANCE



Do not put hot items directly on furniture surface.



Do not clean furniture with harsh cleansers or polish.



Dust and wipe up spills using a clean, non-colored, lint-free cloth.



Stains may be removed with mild soap solution and a damp cloth.



Do not place furniture under direct sunlight.



Do not place furniture near heating or cooling vents.



Do not write on furniture without a padded barrier to protect the surface.



Do not place furniture outside, for indoor use only.