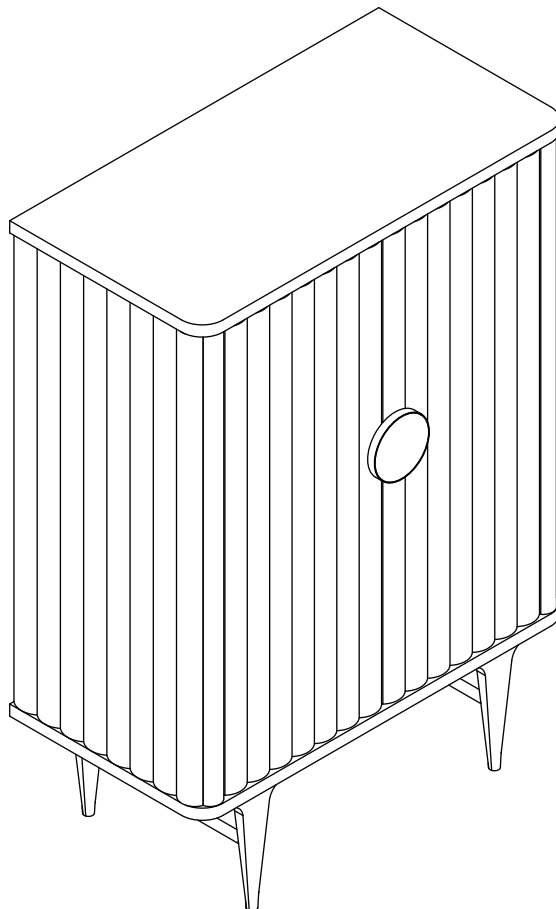


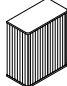

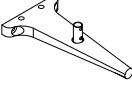
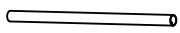

Cordoba Bar Cabinet

CORDOBA


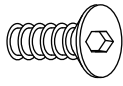
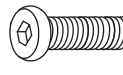

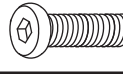
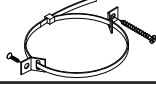


ASSEMBLY INSTRUCTIONS







PARTS LIST

LABEL	PICTURE	DESCRIPTION	QTY
①		Body	1
②		Handle	1
③		Leg	4
④		Support Tube	2
⑤		Support Bar	2

HARDWARE

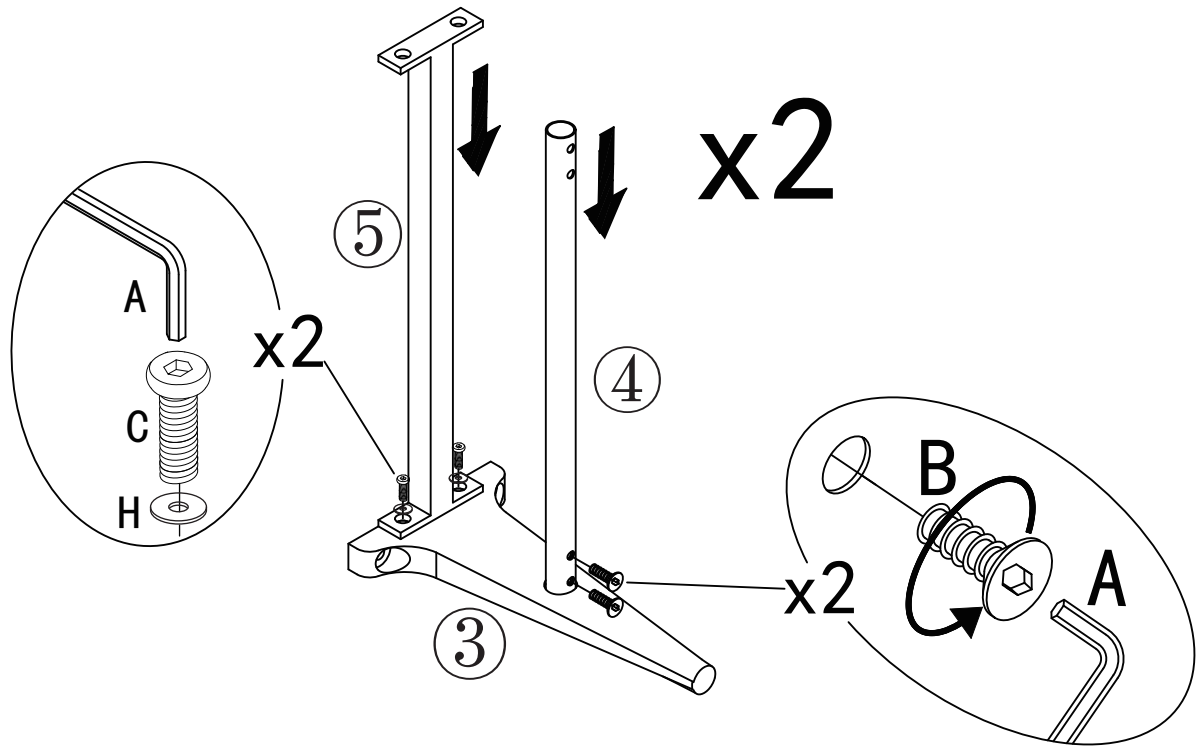
LABEL	PICTURE	DESCRIPTION	QTY
A		Allen Key M4	1
B		Bolt M6*10	8
C		Bolt M6*15	8
D		Allen Key M5	1
E		Bolt M8*35	8
F		Furniture Tipping Restraint	2
G		Washer M8*16	8
H		Washer M6*16	8

BEFORE BEGINNING ASSEMBLY:

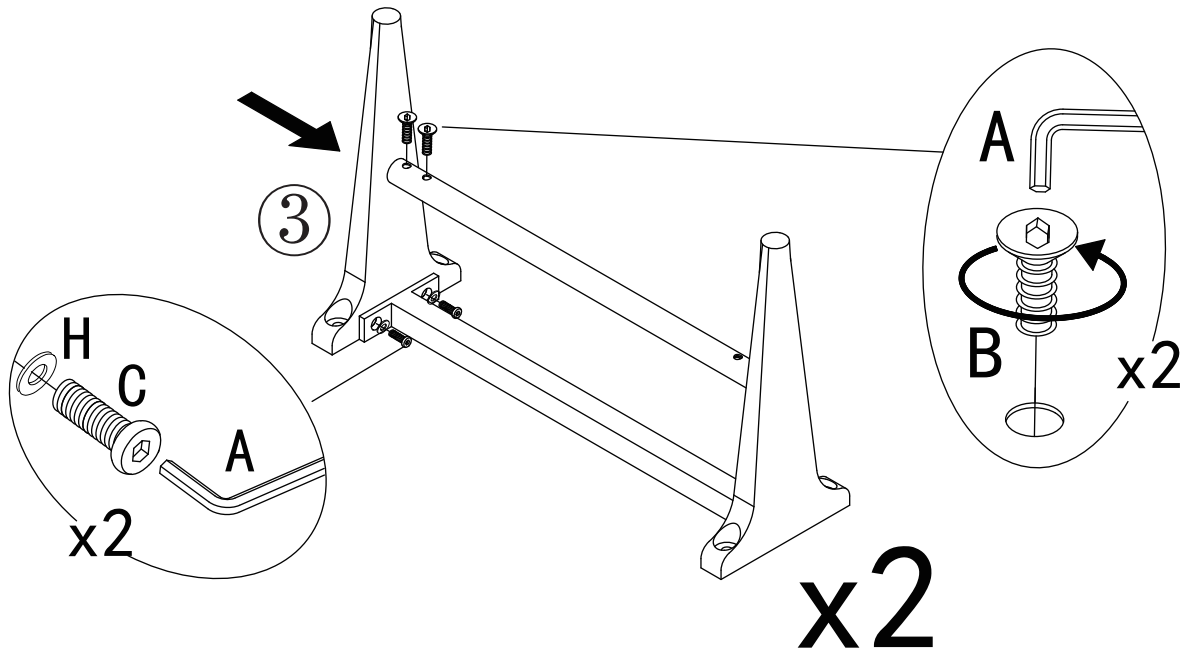
-  Read instructions cover to cover
 -  Have two adults on hand for assembly
 -  Do NOT assemble on flooring or carpet. Assemble on a clean non-marring surface (ex: packing foam)
 -  Save all packaging until assembly is completed
- Need a part? Call TOV at 516-888-3355 or email service@tovfurniture.com

ASSEMBLY STEPS

STEP 1

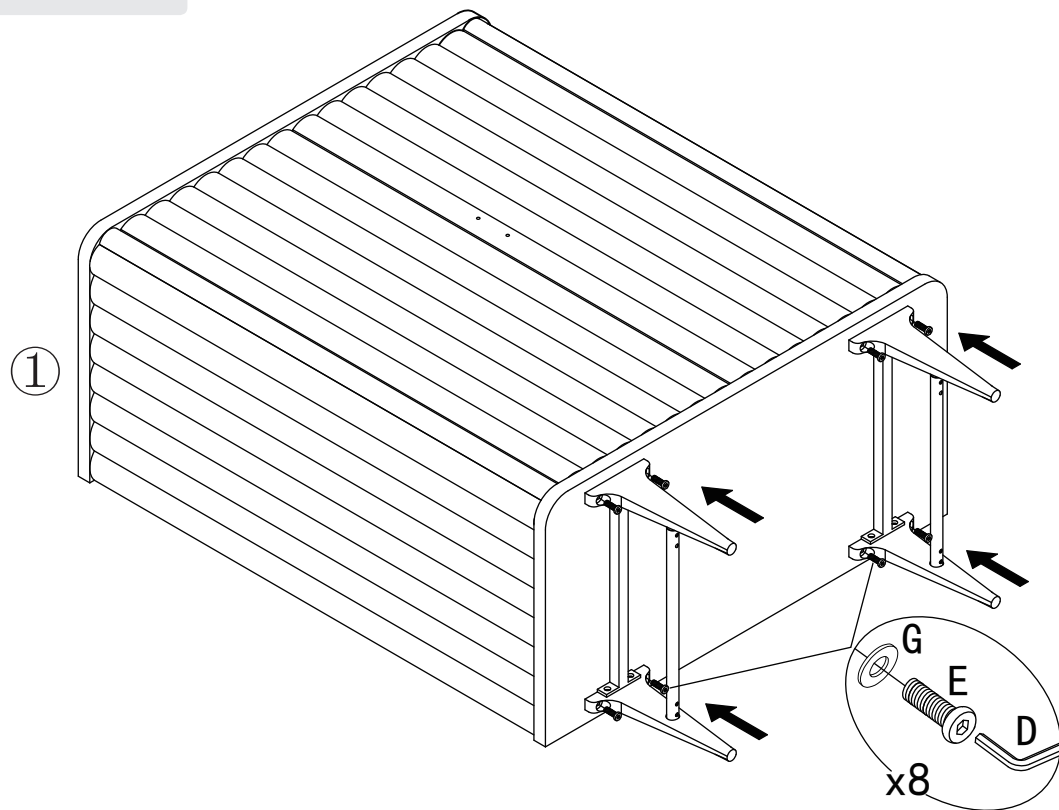


STEP 2



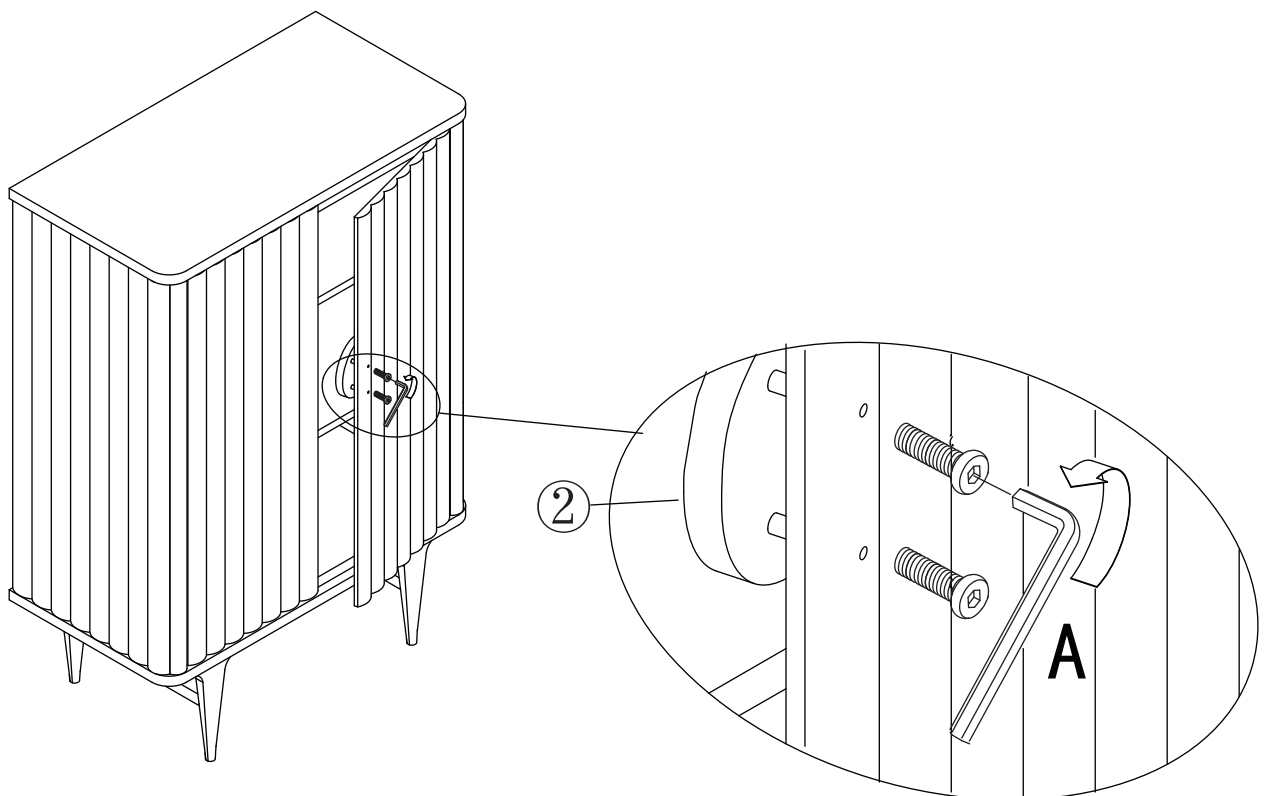
Do not tighten screws all the way at this point

STEP 3

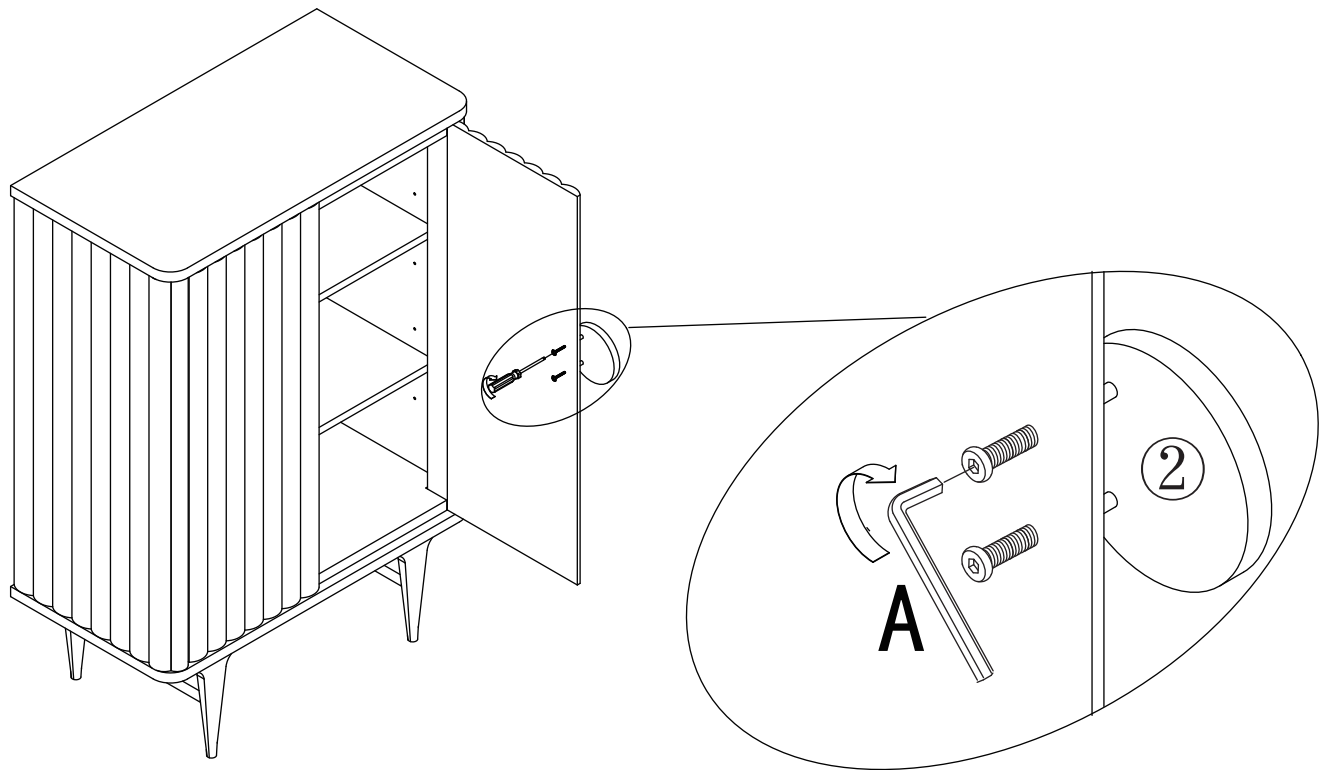


Once the legs have been installed to the body , all screws should be fully tightened

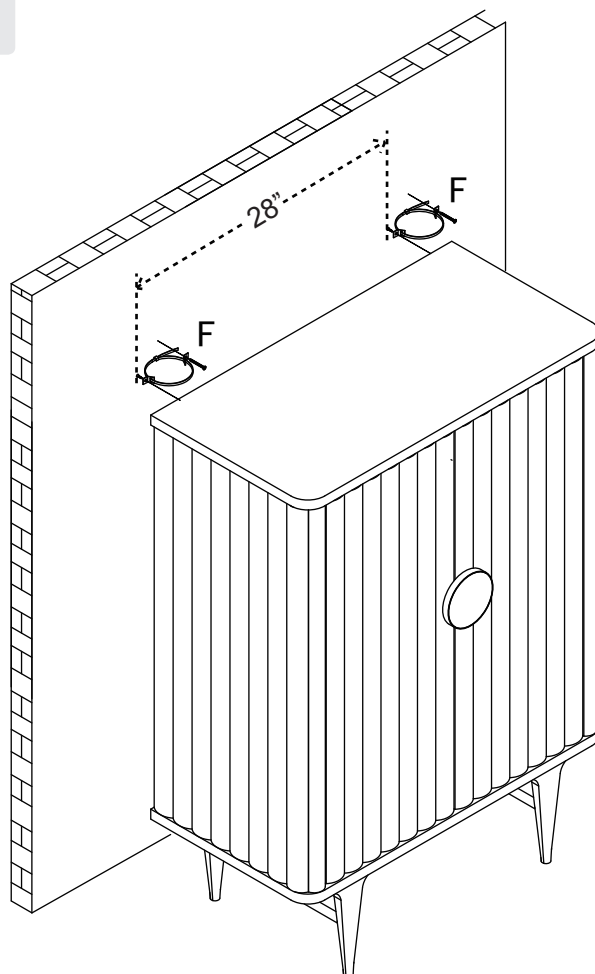
STEP 4



STEP 5

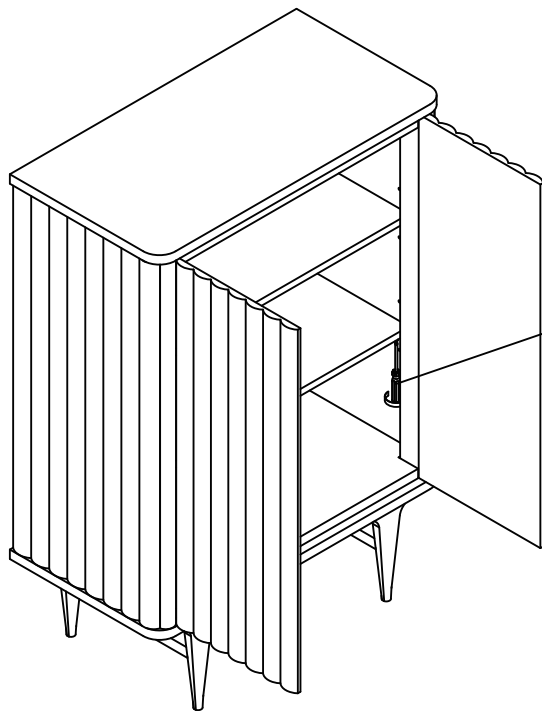


STEP 6

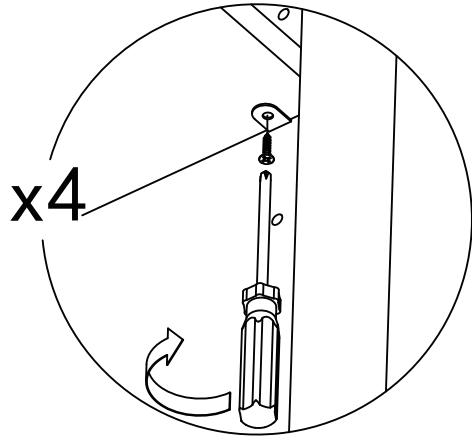


STEP 7

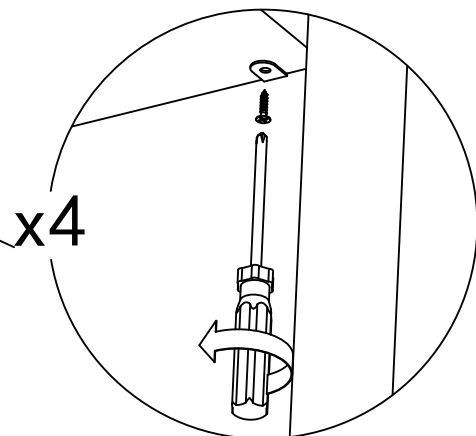
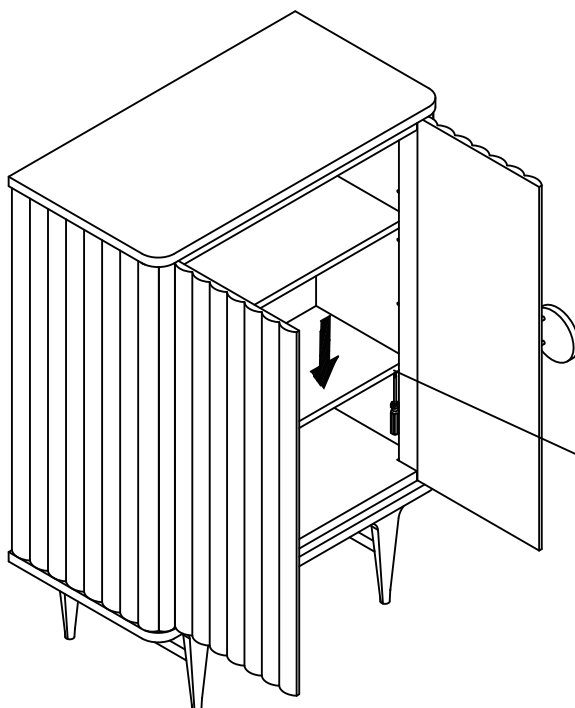
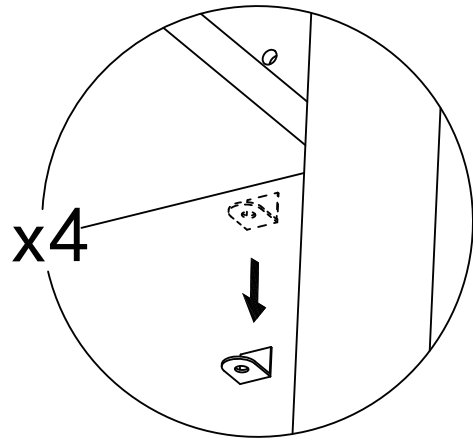
Guideline to adjust the shelf height



Turn the screwdriver counterclockwise to remove the screws from the laminate holder



Move the laminate support from the center to the bottom



Turn the screwdriver clockwise to screw in the laminate holder

CARE & MAINTENANCE



Do not put hot items directly on furniture surface.



Do not clean furniture with harsh cleansers or polish.



Dust and pick up spills using a clean, non-colored, lint-free cloth.



Stains may be removed with mild soap solution and a damp cloth.



Do not place furniture under direct sunlight.



Do not place furniture near heating or cooling vents.



Do not write on furniture without a padded barrier to protect the surface.



Do not place furniture outside, for indoor use only.