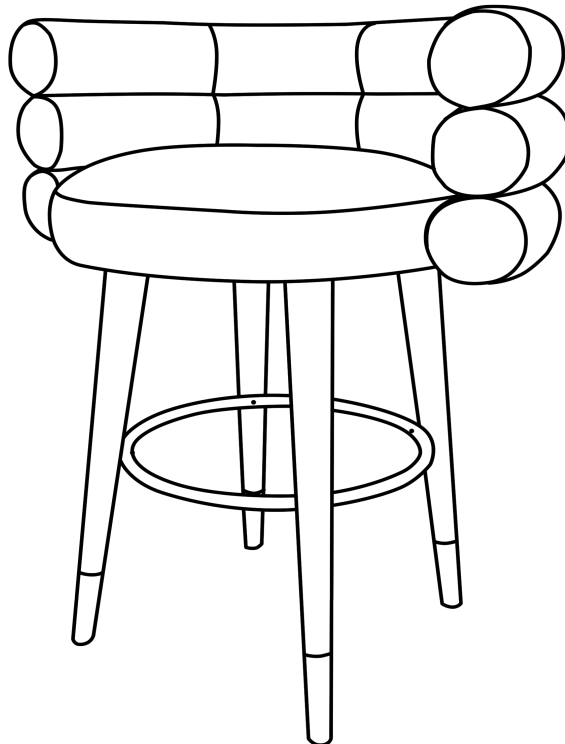


Betty Barstool  
TOV-D6452/TOV-D6453  
TOV-D6454/TOV-D6455

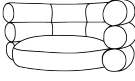

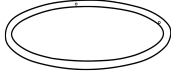
# **BETTY**

---






## **ASSEMBLY INSTRUCTIONS**



## PARTS LIST

LABEL	PICTURE	DESCRIPTION	QTY
<b>A</b>		<b>Chair Body</b>	<b>1</b>
<b>B</b>		<b>Leg</b>	<b>4</b>
<b>C</b>		<b>Foot rest</b>	<b>1</b>

## HARDWARE

LABEL	PICTURE	DESCRIPTION	QTY
<b>D</b>		<b>Metal Gasket</b>	<b>8</b>
<b>E</b>		<b>Spring Washer</b>	<b>8</b>
<b>F</b>		<b>Screw(M6*65)</b>	<b>8</b>
<b>G</b>		<b>Screw(M6*35)</b>	<b>4</b>
<b>H</b>		<b>Wrench</b>	<b>1</b>

### BEFORE BEGINNING ASSEMBLY:



*Read instructions cover to cover*



*Have two adults on hand for assembly*



*Do NOT assemble on flooring or carpet. Assemble on a clean non-marring surface (ex: packing foam)*



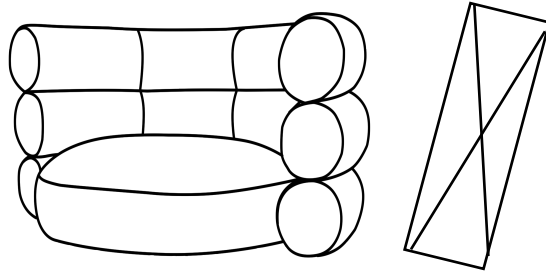
*Save all packaging until assembly is completed*

---

## ASSEMBLY STEPS

---

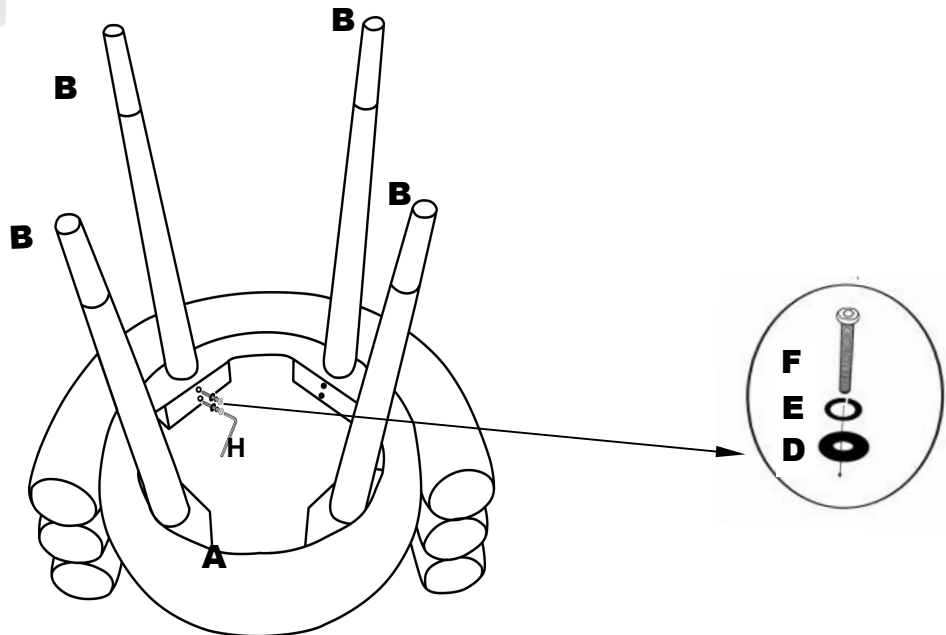
### STEP 1



Open the carton to take out the chair body ,leg and hardware package.

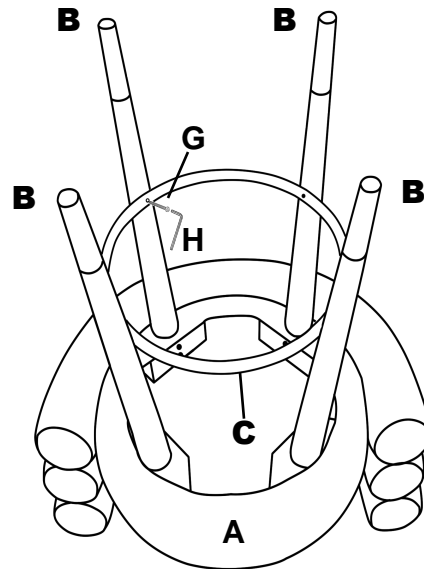
---

### STEP 2



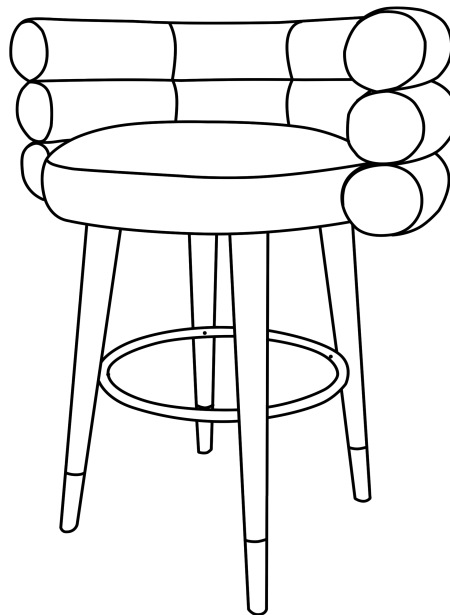
Use provided hardware to attach the legs as shown.  
Do not fully tightened until the last step.

## STEP 4



Use provided hardware to attach the Foot rest to the legs as shown.

## STEP 5



Turn over the barstool and adjust the angle of the legs until they are even, then fully tightened the bolts(F).Assembly is completed.

## **CARE & MAINTENANCE**



**Do not put hot items directly on furniture surface.**



**Do not clean furniture with harsh cleansers or polish.**



**Dust and pick up spills using a clean, non-colored, lint-free cloth.**



**Stains may be removed with mild soap solution and a damp cloth.**



**Do not place furniture under direct sunlight.**



**Do not place furniture near heating or cooling vents.**



**Do not write on furniture without a padded barrier to protect the surface.**



**Do not place furniture outside, for indoor use only.**