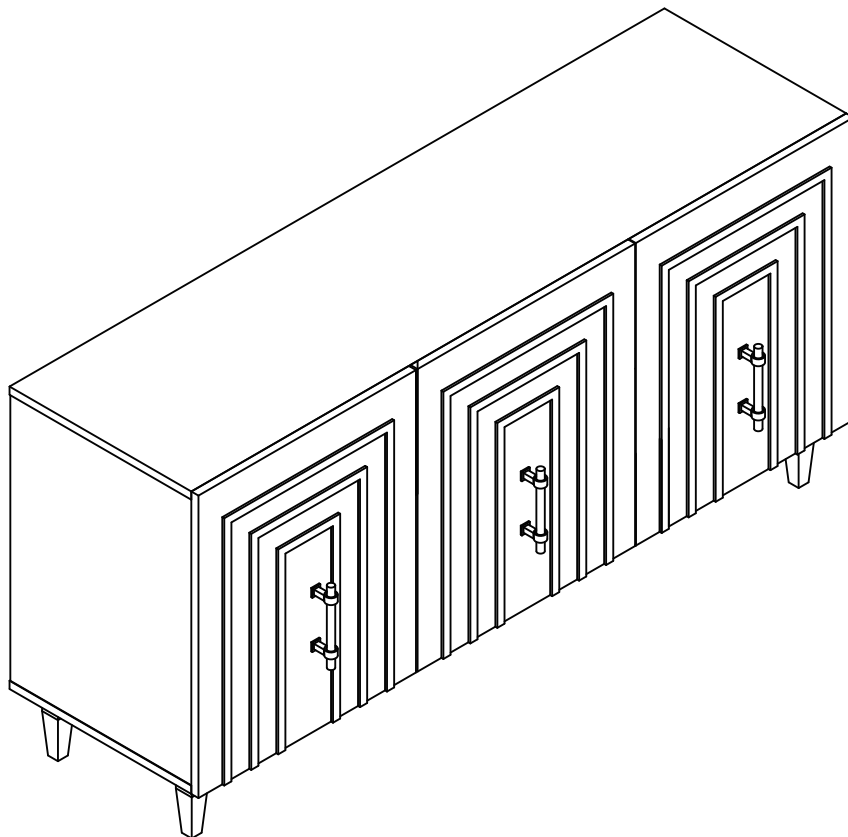


**Famke Buffet**

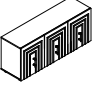
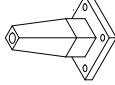
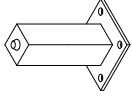
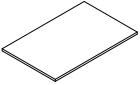
**FAMKE**

---


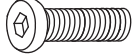
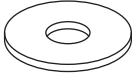
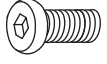
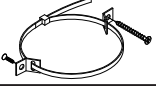
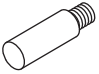
# **ASSEMBLY INSTRUCTIONS**



# PARTS LIST

LABEL	PICTURE	DESCRIPTION	QTY
①		Body	1
②		Leg	4
③		Middle Leg	1
④		Shelf	3

# HARDWARE

LABEL	PICTURE	DESCRIPTION	QTY
A		Allen Key M4	1
B		Bolt M6*20	16
C		Washer M6*18	20
D		Bolt M6*15	4
E		Furniture Tipping Restraint	2
F		Shelf Support	12

## BEFORE BEGINNING ASSEMBLY:



*Read instructions cover to cover*



*Have two adults on hand for assembly*



*Do NOT assemble on flooring or carpet. Assemble on a clean non-marring surface (ex: packing foam)*

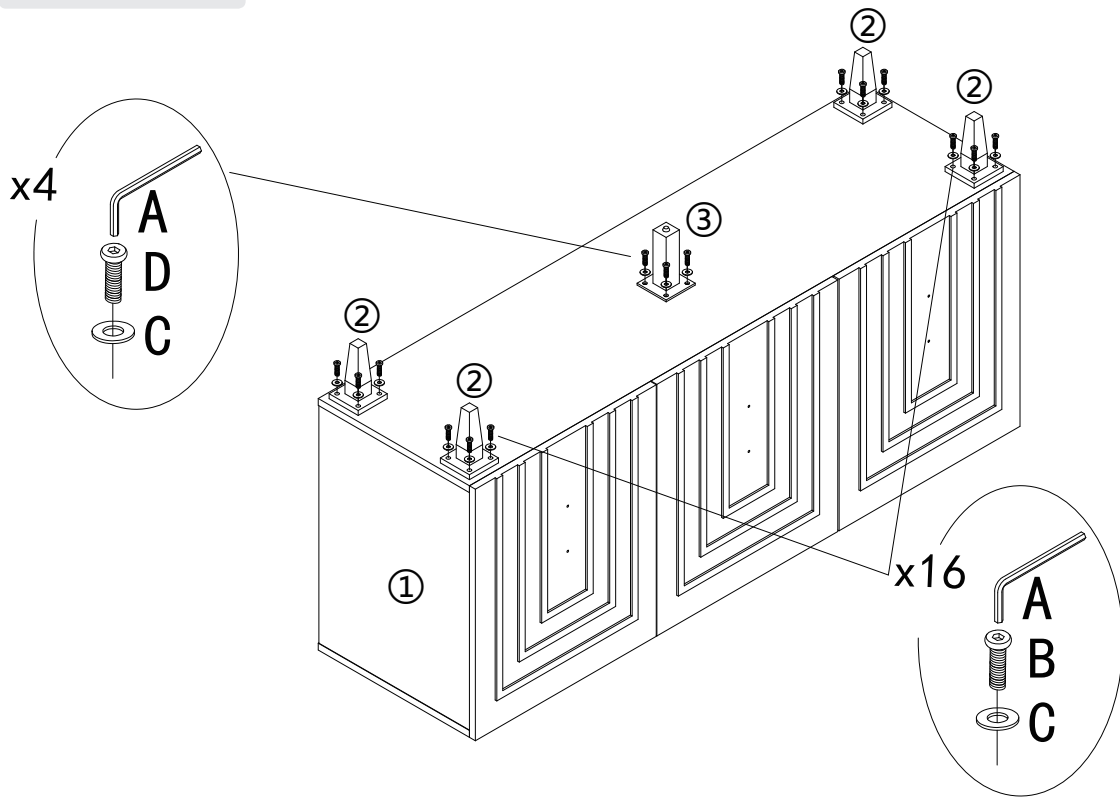


*Save all packaging until assembly is completed*

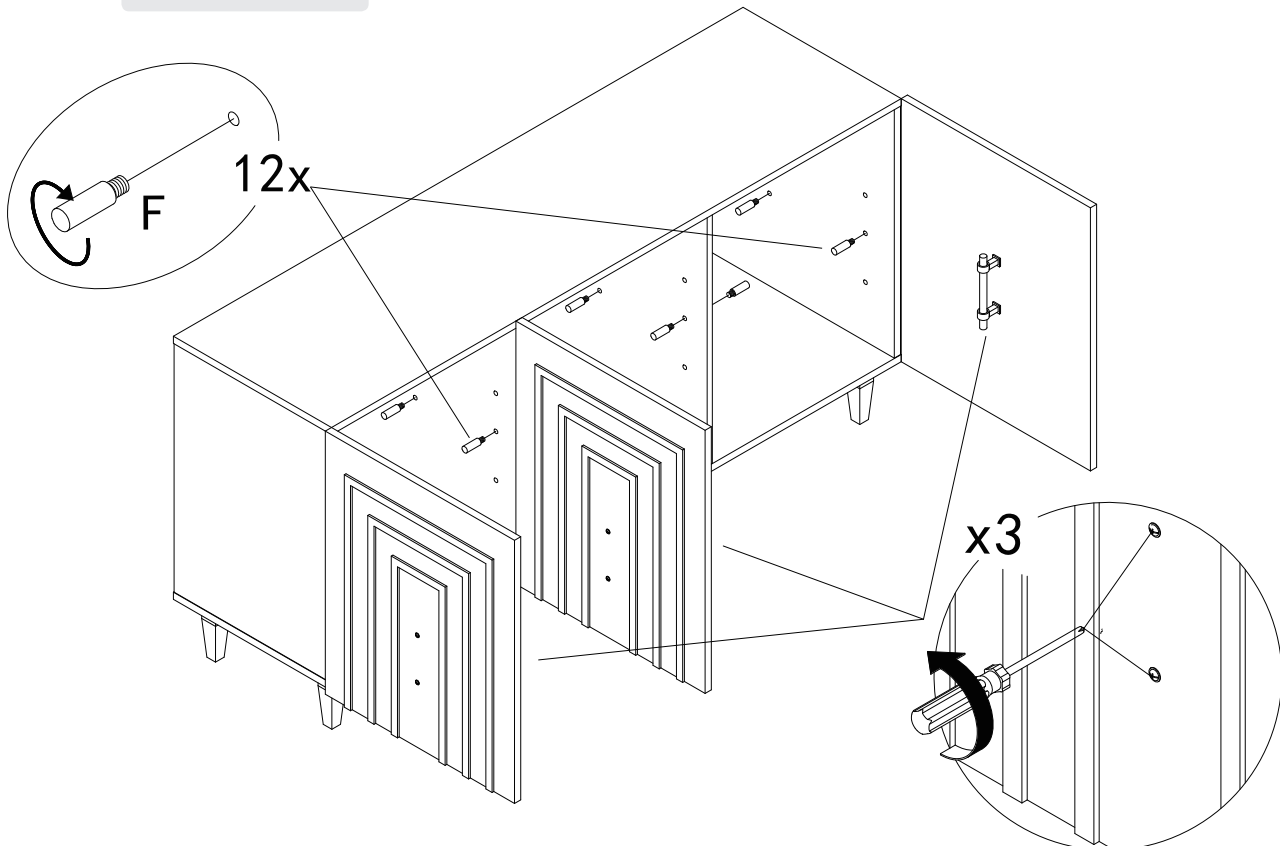
*Need a part? Call TOV at 516-888-3355 or email [service@tovfurniture.com](mailto:service@tovfurniture.com)*

# ASSEMBLY STEPS

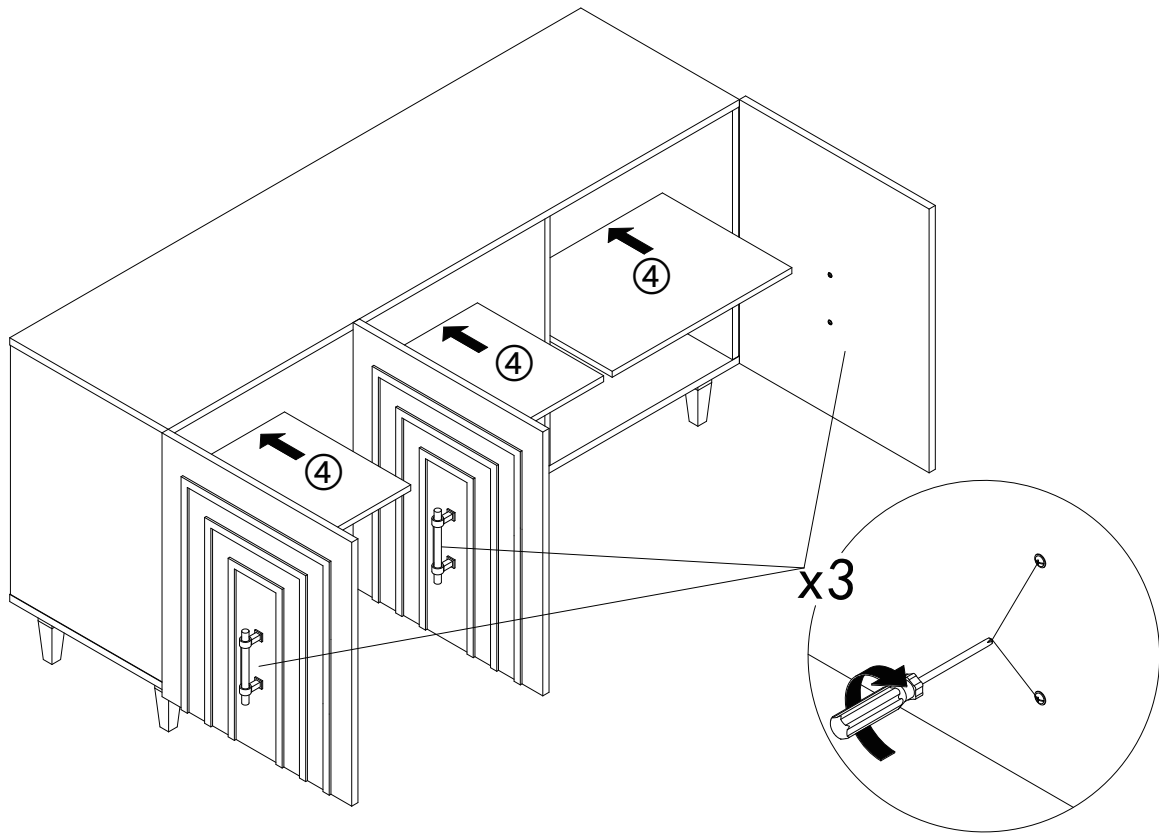
## STEP 1



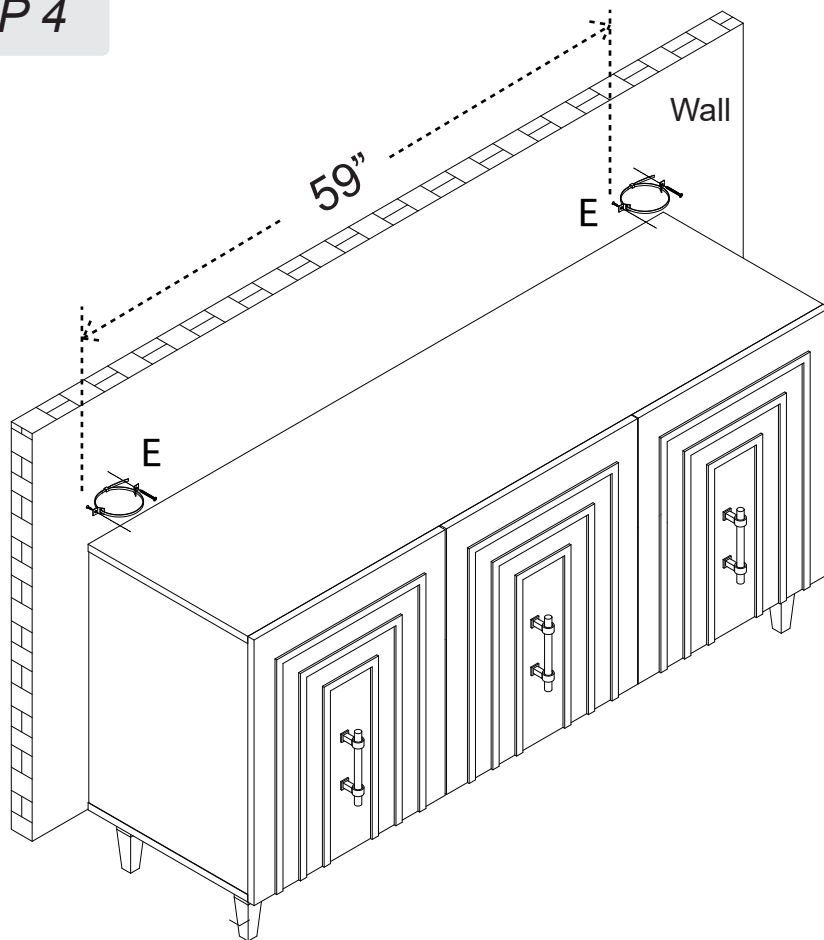
## STEP 2



### STEP 3



### STEP 4



## CARE & MAINTENANCE



**Do not put hot items directly on furniture surface.**



**Do not clean furniture with harsh cleansers or polish.**



**Dust and pick up spills using a clean, non-colored, lint-free cloth.**



**Stains may be removed with mild soap solution and a damp cloth.**



**Do not place furniture under direct sunlight.**



**Do not place furniture near heating or cooling vents.**



**Do not write on furniture without a padded barrier to protect the surface.**



**Do not place furniture outside, for indoor use only.**