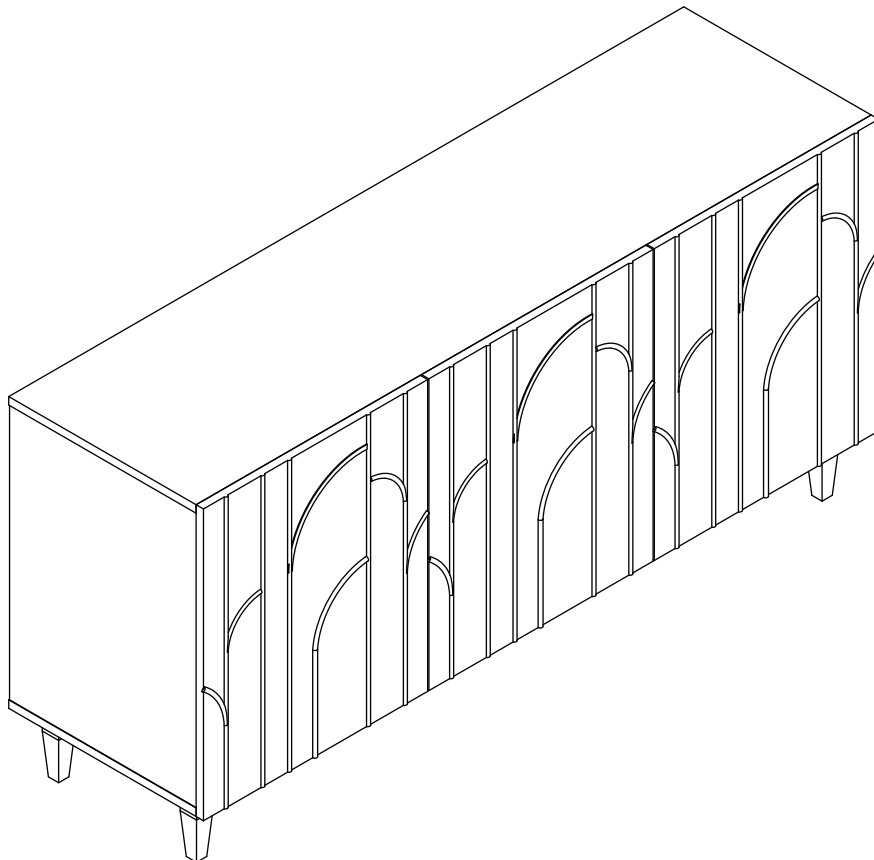


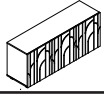
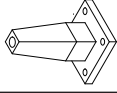
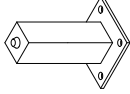
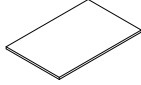
Deco Lacquer Buffet

Deco


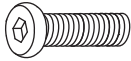
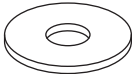
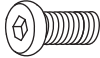
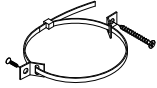
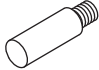
ASSEMBLY INSTRUCTIONS



PARTS LIST

LABEL	PICTURE	DESCRIPTION	QTY
①		Body	1
②		Leg	4
③		Middle Leg	1
④		Shelf	3

HARDWARE

LABEL	PICTURE	DESCRIPTION	QTY
A		Allen Key M4	1
B		Bolt M6*20	16
C		Washer M6*18	20
D		Bolt M6*15	4
E		Furniture Tipping Restraint	2
F		Shelf Support	12

BEFORE BEGINNING ASSEMBLY:



Read instructions cover to cover



Have two adults on hand for assembly



Do NOT assemble on flooring or carpet. Assemble on a clean non-marring surface (ex: packing foam)

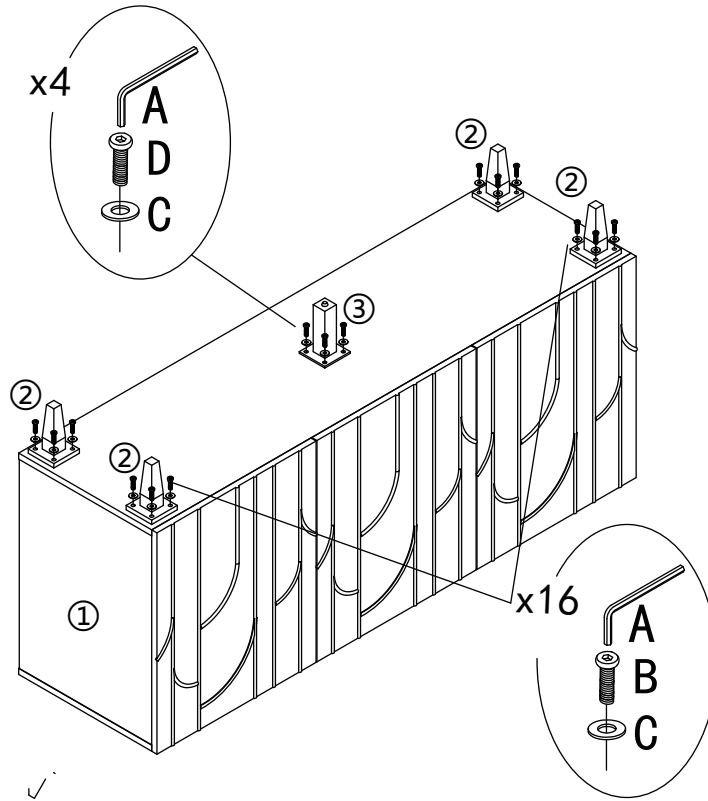


Save all packaging until assembly is completed

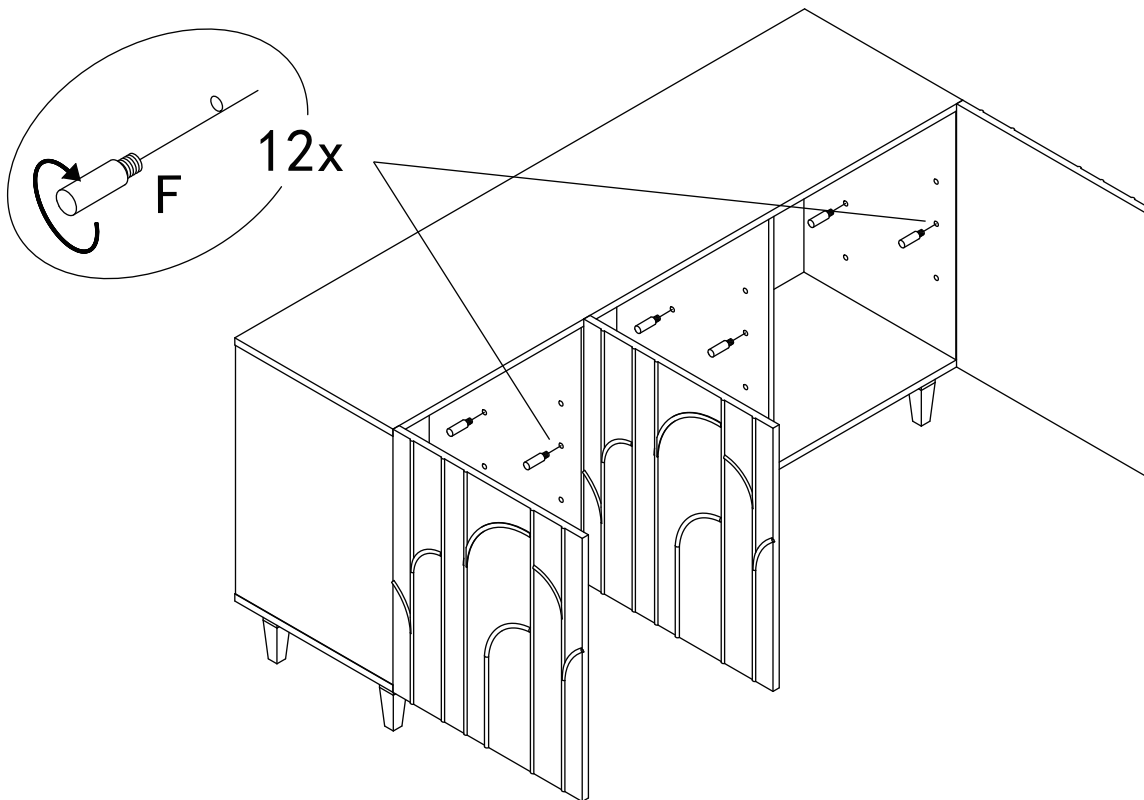
Need a part? Call TOV at 516-888-3355 or email service@tovfurniture.com

ASSEMBLY STEPS

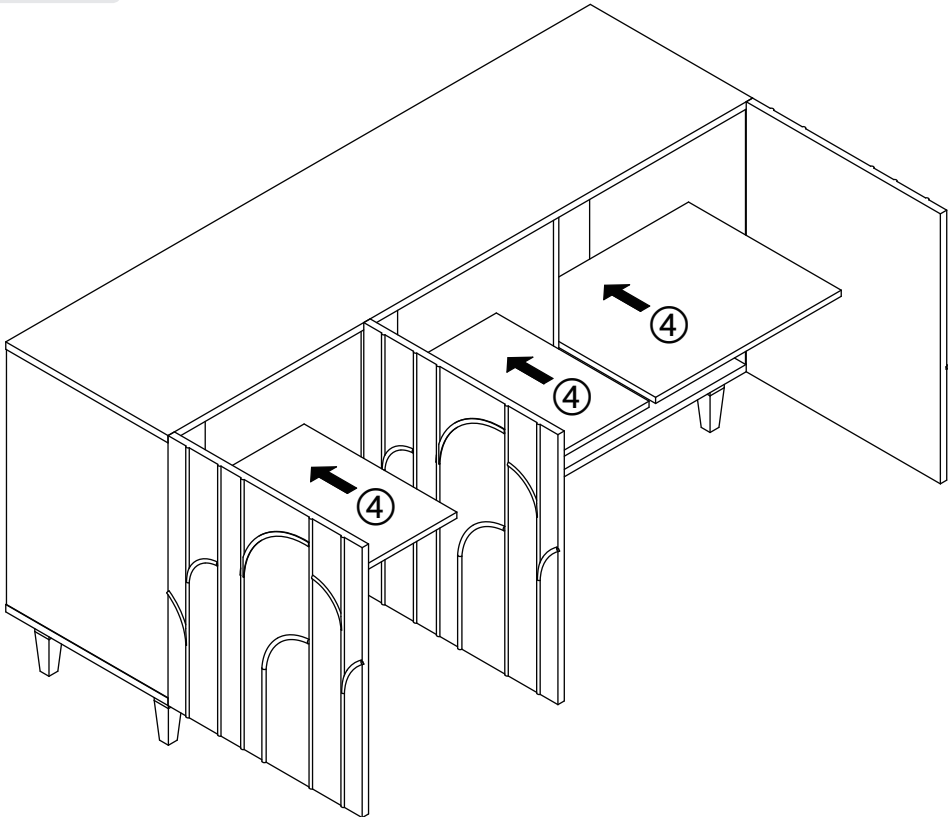
STEP 1



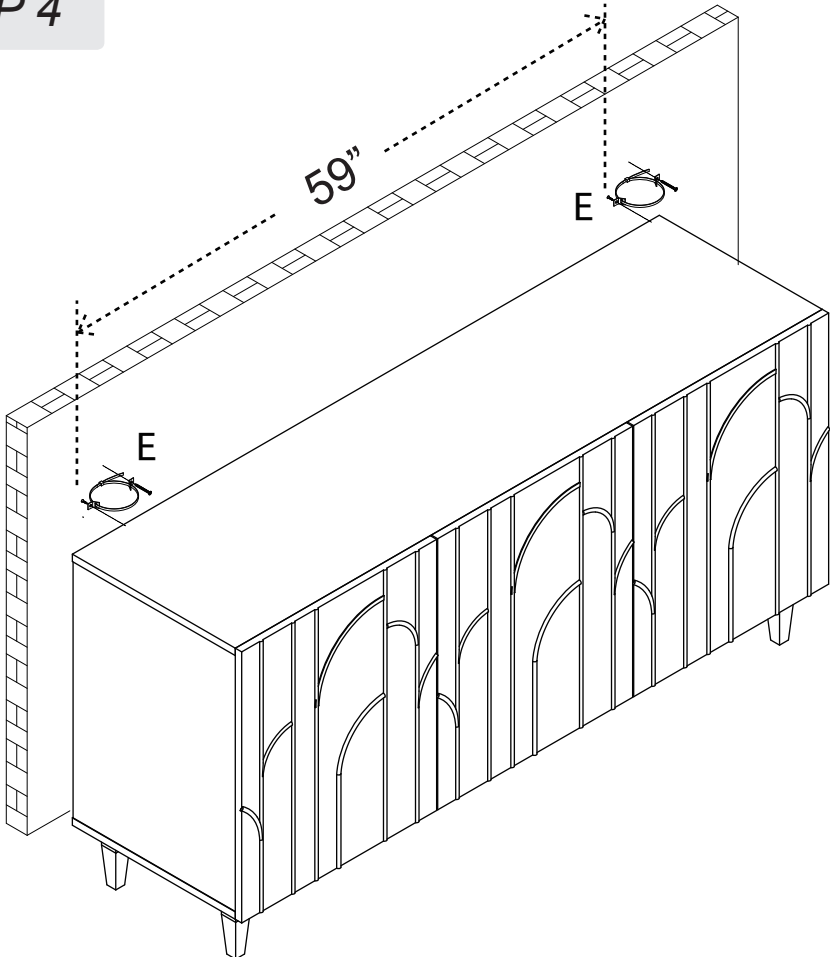
STEP 2



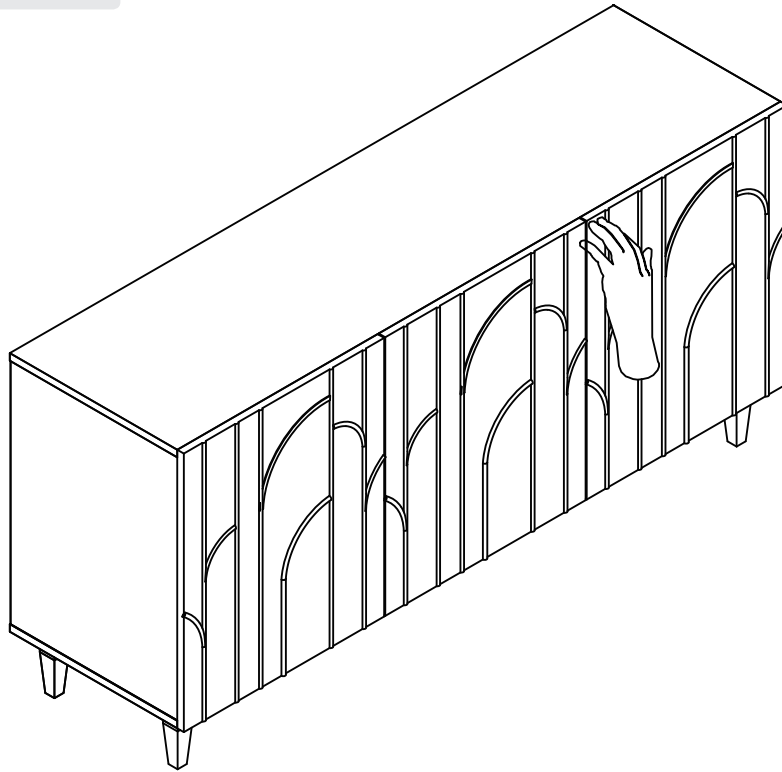
STEP 3



STEP 4

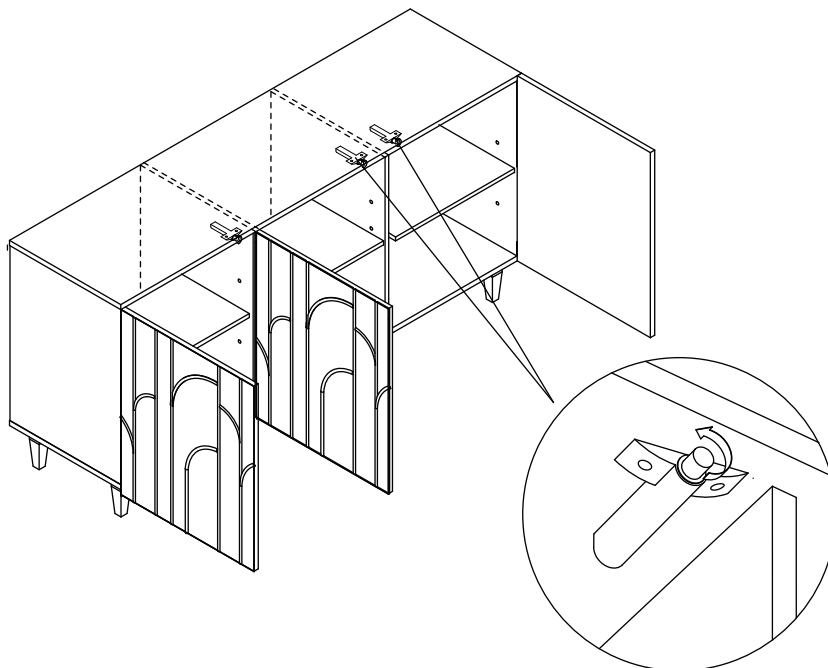


STEP 5



The door can be opened by pressing the corner of the panel

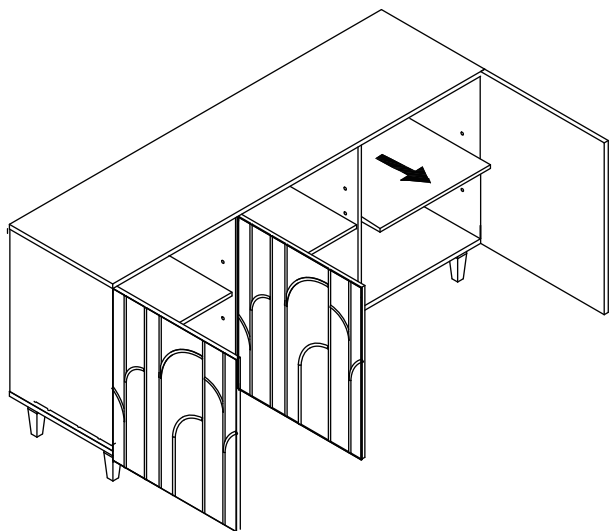
STEP 6



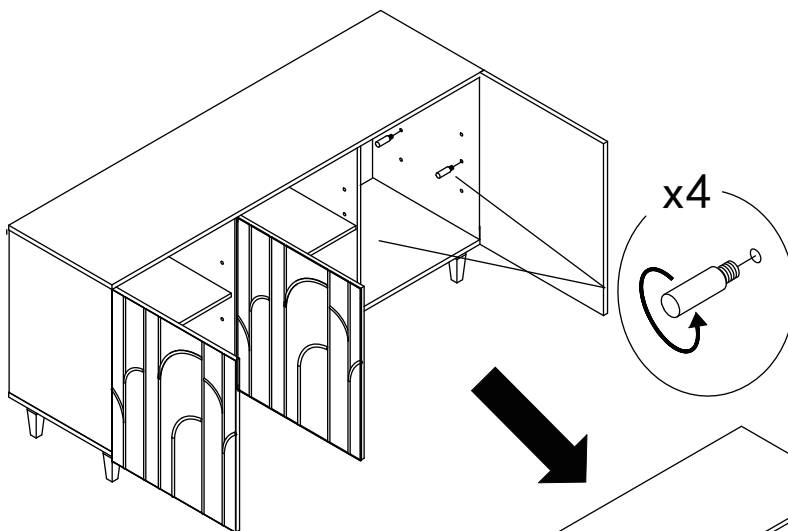
You can adjust its length
by rotating it

STEP 7

Guide for adjusting the shelf height

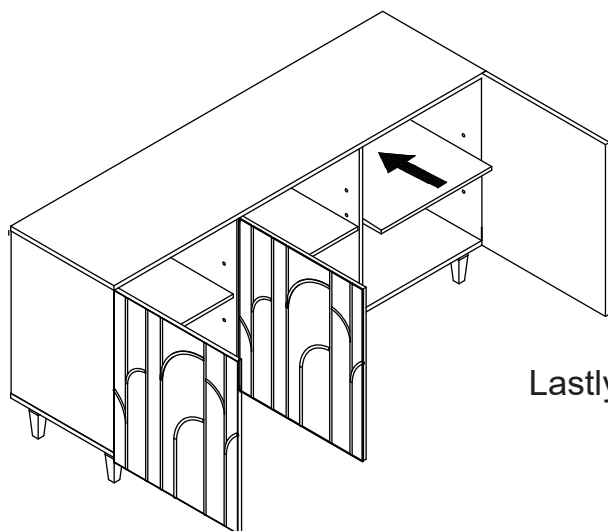
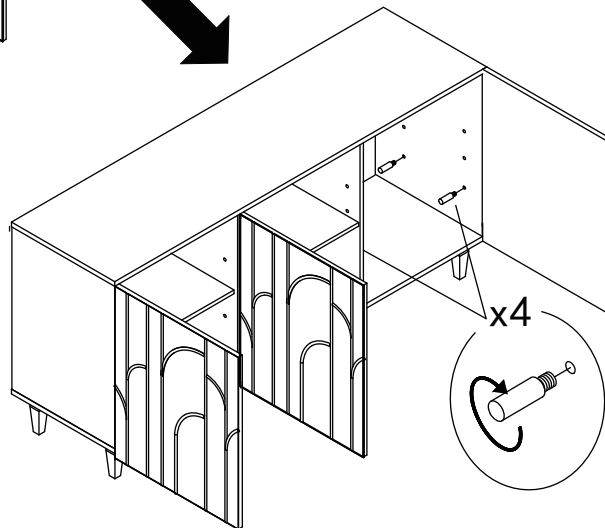


Open the door and remove the shelf



Twist the shelf support pegs counter-clockwise to remove them.

Choose one of the alternate heights and re-install the pegs by twisting them clockwise



Lastly, replace the shelf at its new height

CARE & MAINTENANCE



Do not put hot items directly on furniture surface.



Do not clean furniture with harsh cleansers or polish.



Dust and pick up spills using a clean, non-colored, lint-free cloth.



Stains may be removed with mild soap solution and a damp cloth.



Do not place furniture under direct sunlight.



Do not place furniture near heating or cooling vents.



Do not write on furniture without a padded barrier to protect the surface.



Do not place furniture outside, for indoor use only.