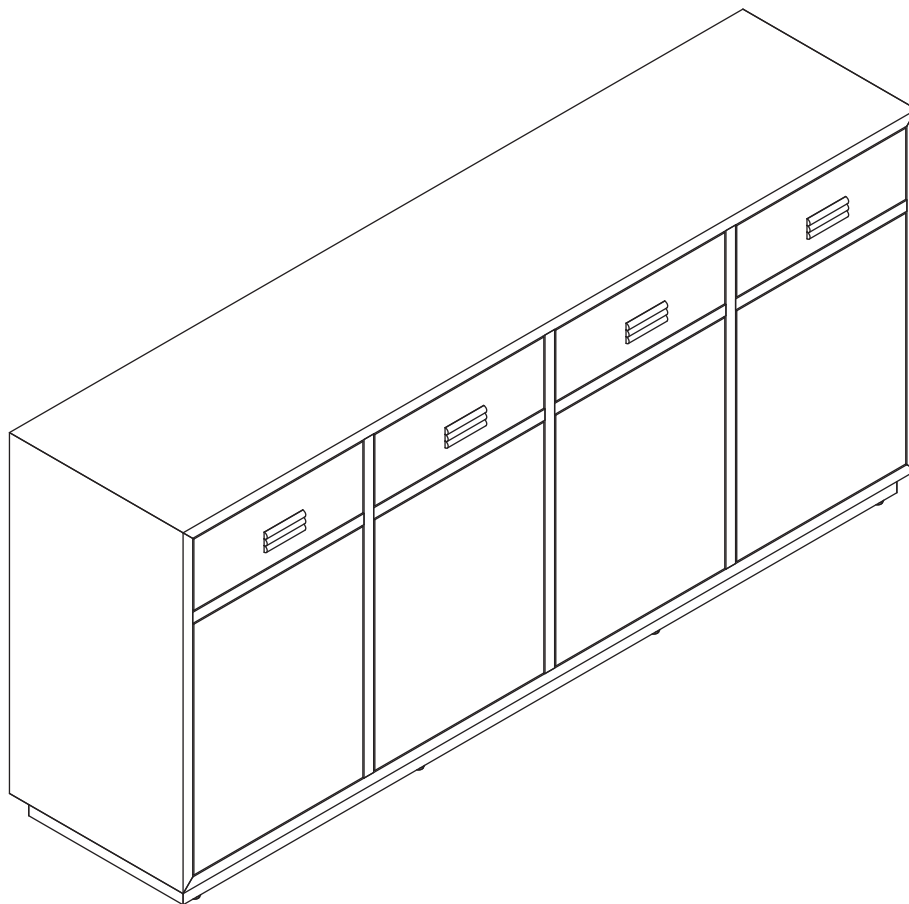


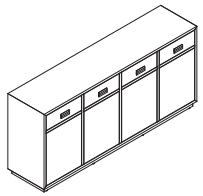
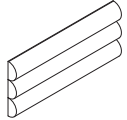
ARIA BUFFET

ARIA

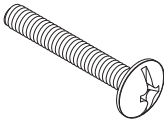
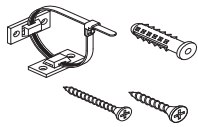
ASSEMBLY INSTRUCTIONS







PARTS LIST

| LABEL | PICTURE | DESCRIPTION | QTY |
|-------|---|-------------|-----|
| A |  | BUFFET | 1 |
| B |  | HANDLES | 4 |

HARDWARE

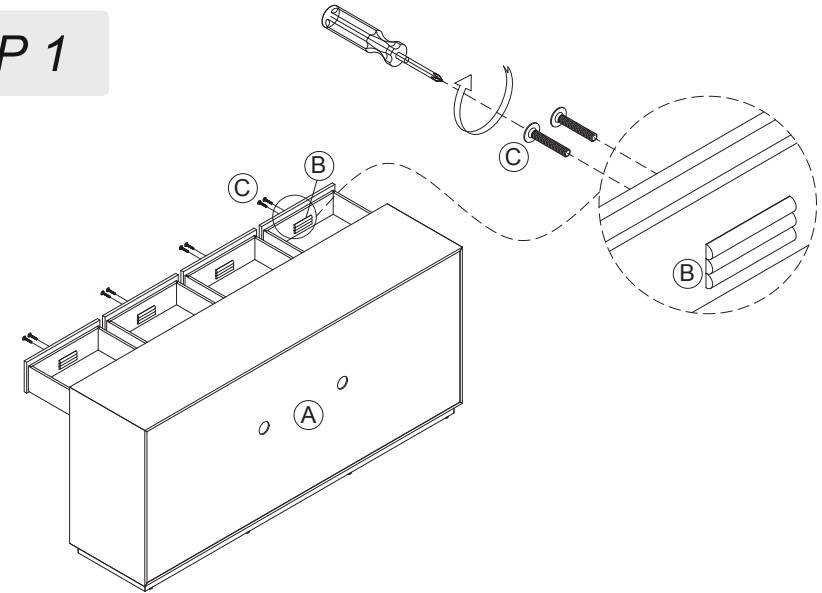
| LABEL | PICTURE | DESCRIPTION | QTY |
|-------|--|--------------|-----|
| C |  | BOLT | 8 |
| D |  | ANTI-TIP KIT | 2 |

BEFORE BEGINNING ASSEMBLY:

-  Read instructions cover to cover
-  Have two adults on hand for assembly
-  Do NOT assemble on flooring or carpet. Assemble on a clean non-marring surface (ex: packing foam)
-  Save all packaging until assembly is completed

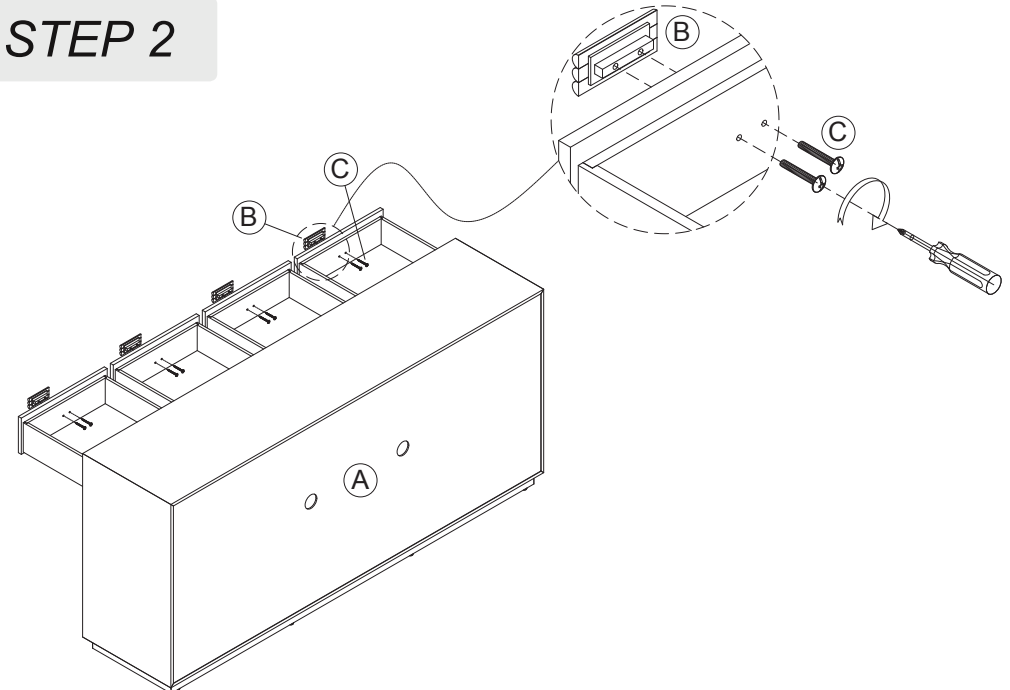
ASSEMBLY STEPS

STEP 1



Step 1: Open the drawers and remove the handles that have been preinstalled to the inside of the drawers.

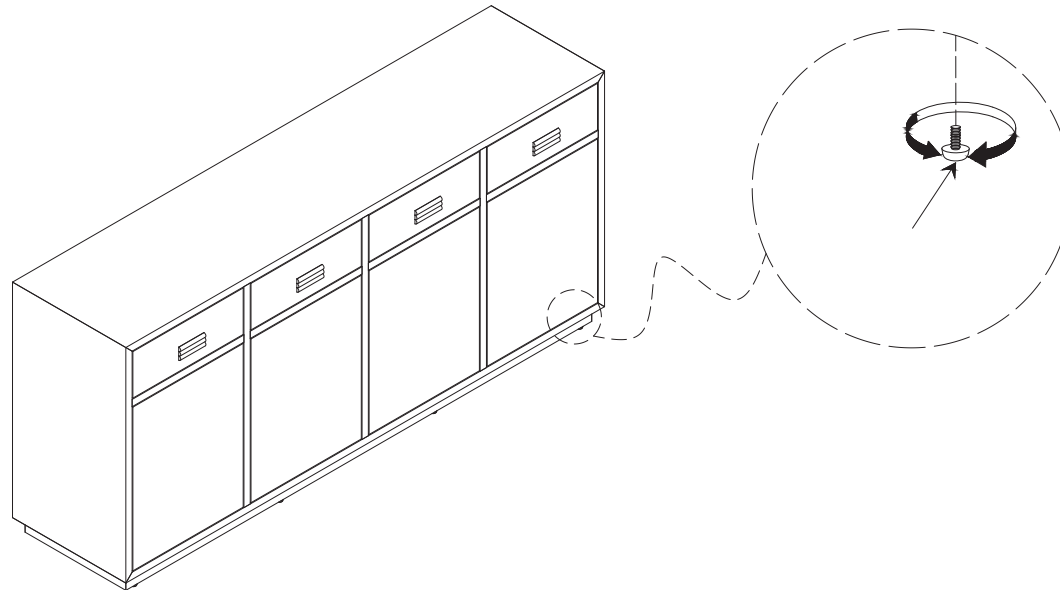
STEP 2



Step 2: Install the handles (B) to the outside of the drawers as illustrated.

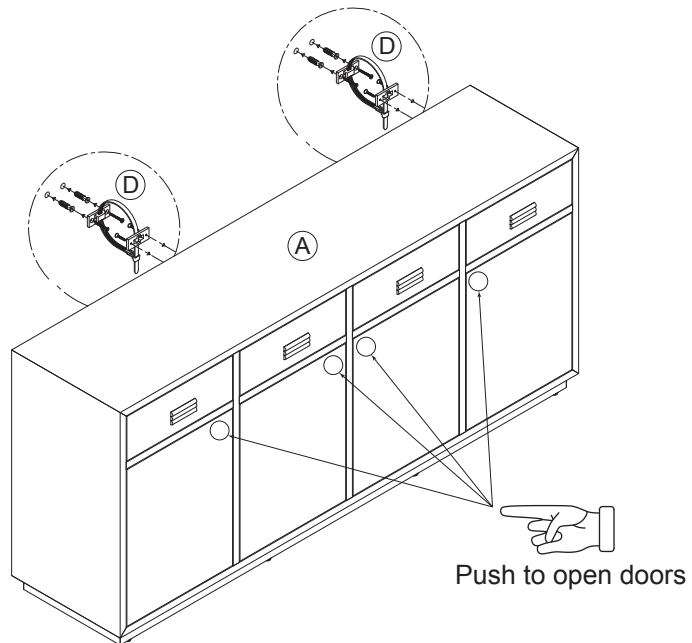
ASSEMBLY STEPS

STEP 3



Step 3: Adjust the levelers as necessary to ensure the buffet is level.

STEP 4



Step 4: . Install the Anti Tip Kit (D) to the back of the buffet, and attach it securely to the wall.

CARE & MAINTENANCE



Do not put hot items directly on furniture surface.



Do not clean furniture with harsh cleansers or polish



Dust and wipe up spills using a clean, non-colored, lint-free cloth.



Stains may be removed with a mild soap solution and a damp cloth.



Do not place furniture under direct sunlight.



Do not place furniture near heating or cooling vents.



Do not write on furniture without a padded barrier to protect the surface.



Do not place furniture outside, for indoor use only.

**"Need a part? Call TOV at 516-888-3355 or
email service@tovfurniture.com"**