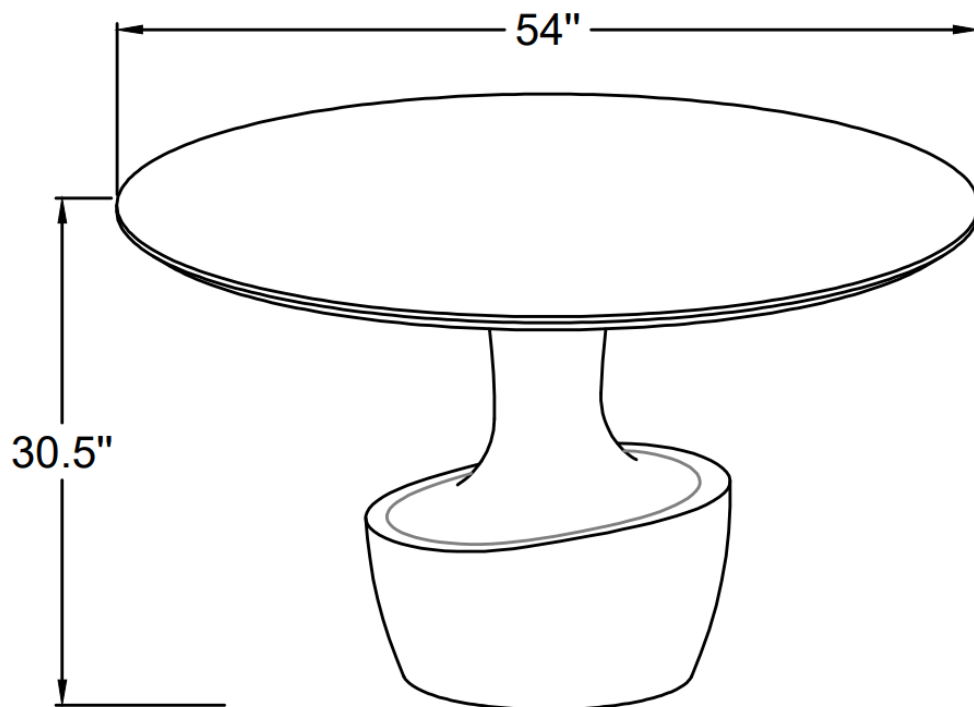


Gevra Dining Table





# GEVRA

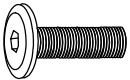
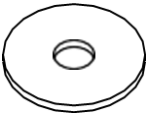

## ASSEMBLY INSTRUCTIONS



## PARTS LIST

LABEL	PICTURE	DESCRIPTION	QTY
A		TOP	1
B		BASE	1

## PARTS LIST

LABEL	PICTURE	DESCRIPTION	QTY
C		BOLT M8x50	4
D		WASHER Ø22x2	4
E		ALLEN KEY	1

### BEFORE BEGINNING ASSEMBLY:



*Read instructions cover to cover*



*Have two adults on hand for assembly*



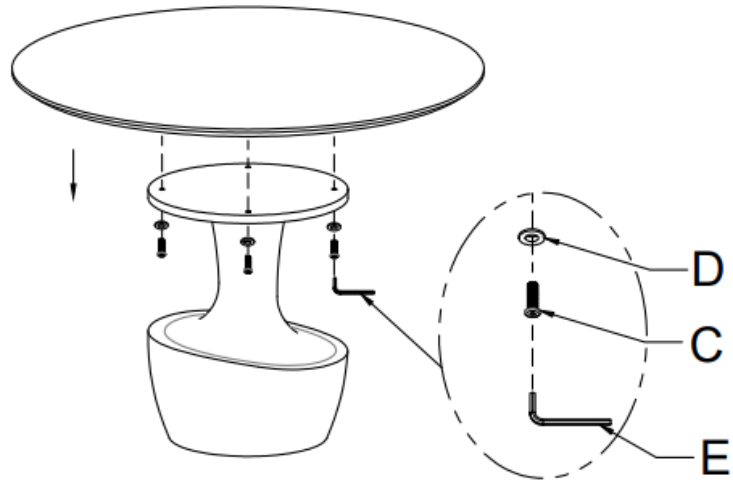
*Do NOT assemble on flooring or carpet. Assemble on a clean non-marring surface (ex: packing foam)*



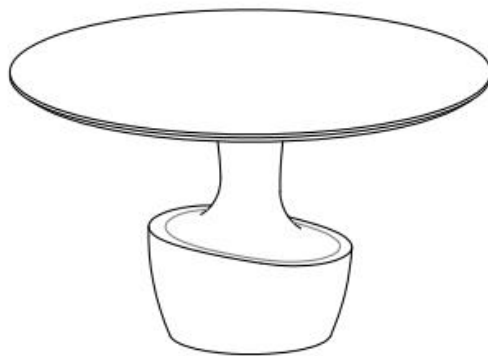
*Save all packaging until assembly is completed*

# ASSEMBLY STEPS

## STEP#1



## STEP#2



# CARE & MAINTENANCE



Do not put hot items directly on furniture surface.



Do not clean furniture with harsh cleansers or polish



Dust and wipe up spills using a clean, non-colored, lint-free cloth.



Stains may be removed with a mild soap solution and a damp cloth.



Do not place furniture under direct sunlight.



Do not place furniture near heating or cooling vents.



Do not write on furniture without a padded barrier to protect the surface.



Do not place furniture outside, for indoor use only.

"Need a part? Call TOV at 516-888-3355 or  
[email service@tovfurniture.com](mailto:email_service@tovfurniture.com)"