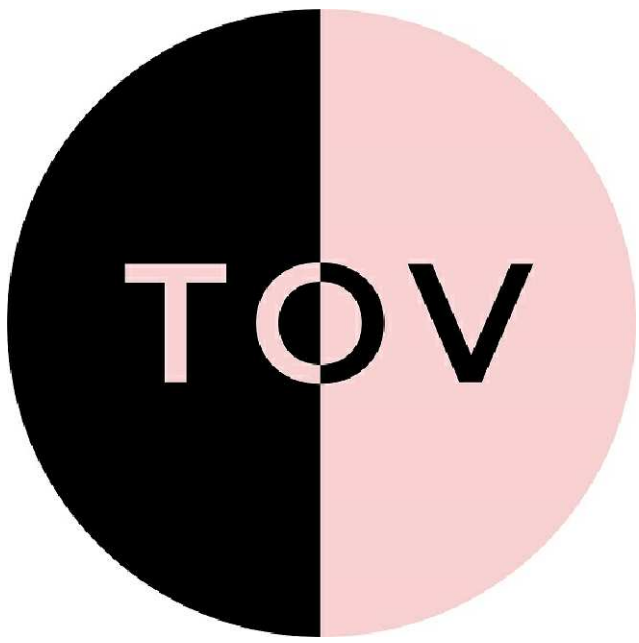
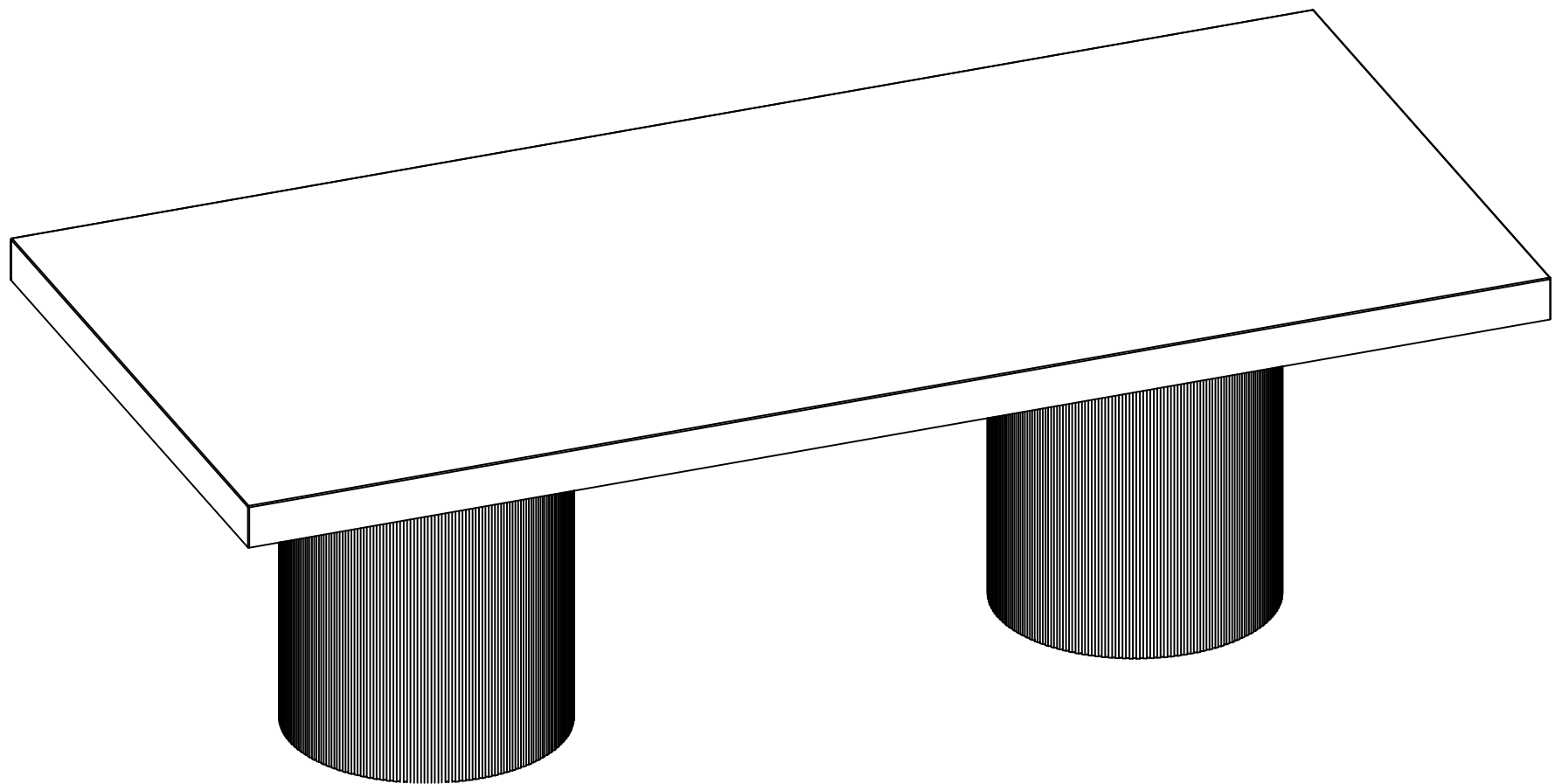


NOVA DINING TABLE

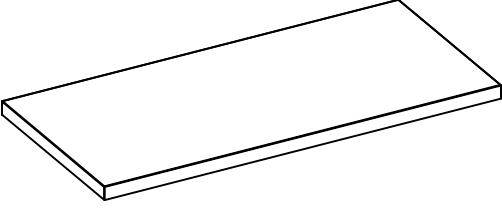
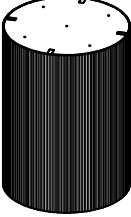
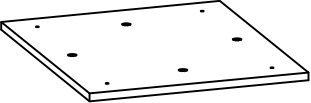




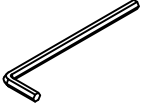
# NOVA

## ASSEMBLY INSTRUCTIONS



# NOVA DINING TABLE

PART LIST			
LABEL	PICTURE	DESCRIPTIONS	QTY
A		TOP	1
B		LEGS	2
C		SUPPORT BOARD	2

HARDWARE LIST.			
LABEL	PICTURE	DESCRIPTIONS	QTY
1		SOCKET HEAD BOLTS M8-30	16
2		WASHER M8-19	16
3		L WRENCH M4-60.	1

## BEFORE BEGINNING ASSEMBLY:



Read instructions cover to cover



Have two adults on hand for assembly

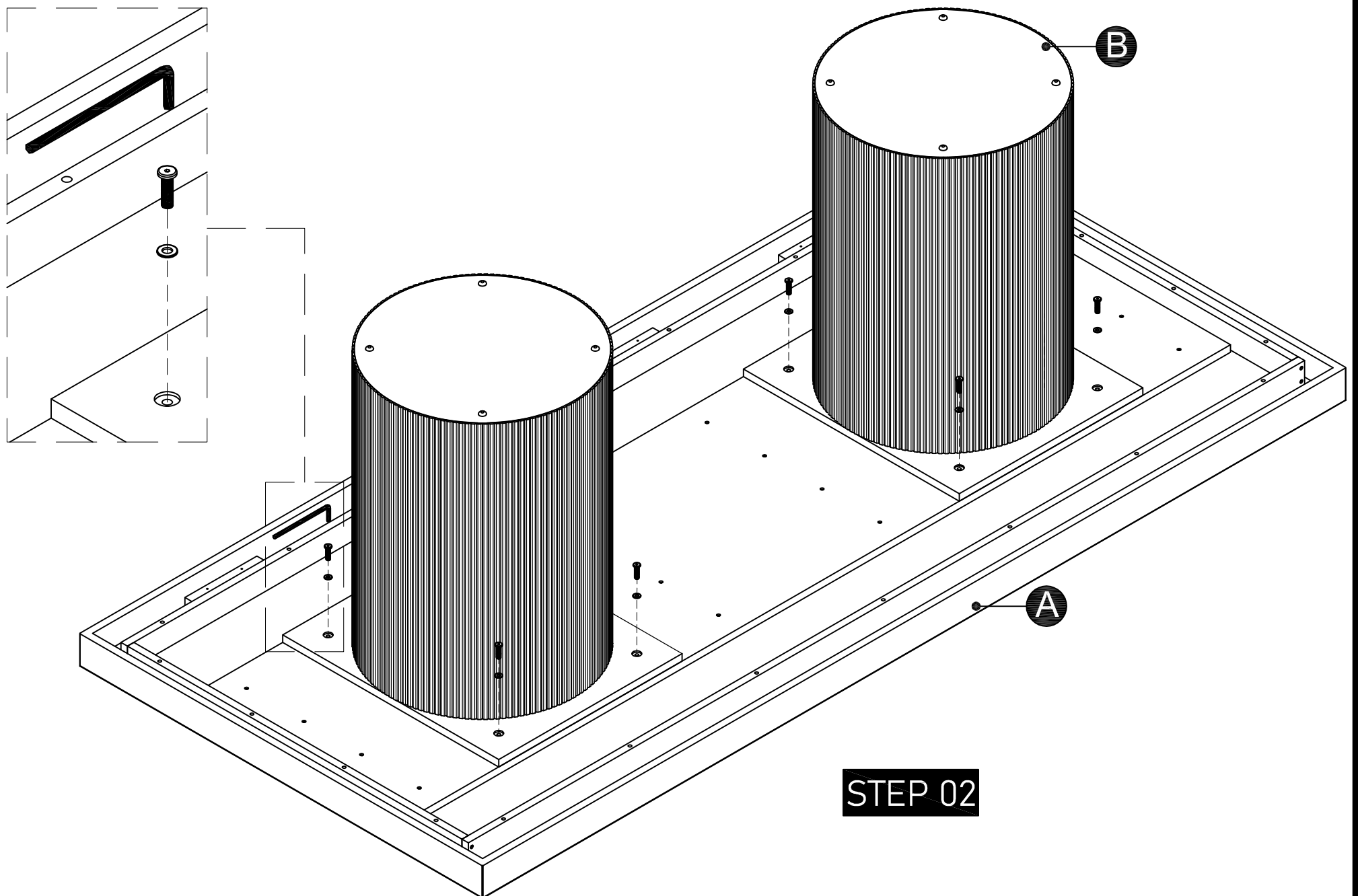
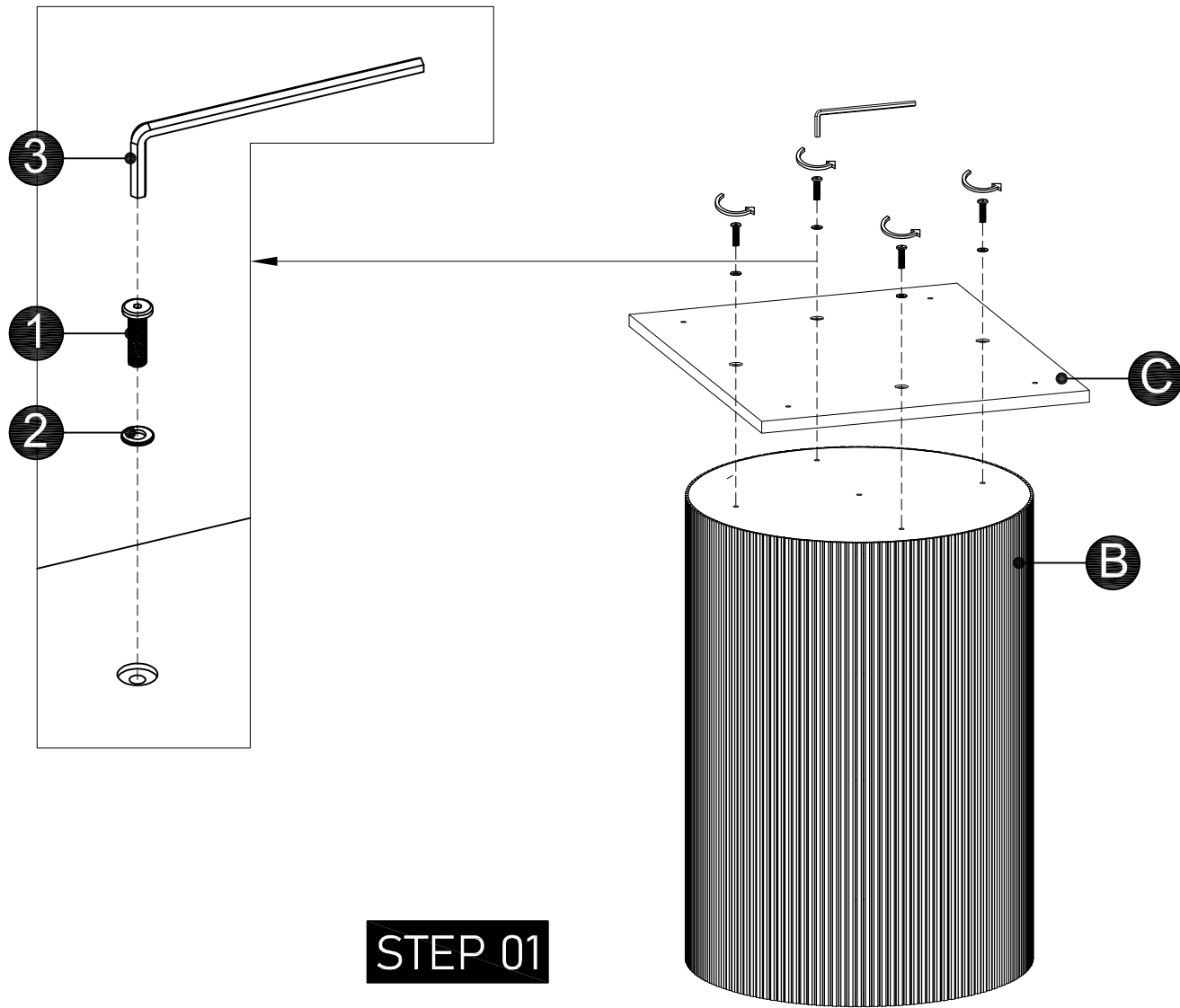


Do NOT assemble on flooring or carpet Assemble on a clean not-marring surface (ex: packing foam)



Save all packaging until assembly is completed

# NOVA DINING TABLE



# CARE & MAINTENANCE

## **1. Choose an appropriate location for your furniture**

The surface of high gloss furniture is fragile. The best spot for your furniture is anywhere far from direct sunlight, heaters, air vents or air conditioners.

## **2. For regular cleaning, less is more**

Dusting your furniture frequently prolongs its life and maintains its beauty. High gloss paint and finishes give protective benefits to any type of furniture, but proper maintenance and care maximize its durability. Dust and smudges can become overly apparent when neglected. For day-to-day cleaning, all you need is a clean, soft, lint-free cloth.

Without applying too much pressure, wipe the furniture's surface using long, straight strokes. A damp cloth with gentle detergent can be used for dirty surfaces. Wipe water droplets away immediately as they may leave streaks or spots when dried. Using a soft, dry cloth, buff the surface back to its natural shine.

Avoid using cleaners with chemicals such as furniture sprays, glass cleaners or furniture polish. Cleaners with silicone will leave an oily film over the surface of your furniture that may be difficult to remove. Glass cleaners are highly corrosive and can be damaging to your furniture's finish.

## **3. Know the right cleaning products to use**

The types of polishes you can use are those that contain detergents, emulsifiers, and mineral oil. The detergent cleans surface dirt; the emulsifiers and mineral oil leave a barrier to repel dirt and moisture. Polishing high gloss furniture should not be a daily routine. A few times a year is enough to keep your furniture in pristine condition.

## **4. Know how to tackle food and drink spills**

When you spill a drink on your high gloss furniture, wipe it off right away. Don't wait for the liquid to dry onto the surface. A soft, dry, absorbent cloth is enough to do the trick. For stubborn dirt or sticky fluid, spray a bit of water on the area or use a damp cloth with gentle detergent.

Do not underestimate the importance of removing spills from your furniture as quickly as possible. For instance, spilling a dark colored drink or anything that has a potential to dye (e.g., red wine, tea, and coffee) in a light colored piece of furniture can spell disaster if not dealt with immediately.

## **5. Hot items should not be placed directly onto high gloss surfaces**

Hot items and hot dishes should never be placed directly onto high gloss surfaces

## **6. High gloss furniture are not scratchproof**

When writing on a high-gloss surface with a ballpoint pen, use a protective pad underneath to avoid scratching. Some objects made of plastic or rubber derivatives can also damage your furniture because of certain chemicals that react to its finish.

Do not drag objects across the furniture's surface; lift and place objects that need to be moved. If you need to put flower vases, pots, and beverages on your furniture's surface, protect it with cloth pads or coasters. Rotate accessories on high gloss surfaces periodically to prevent stains and uneven surfaces.

## **7. Furniture damage requires professional help**

If your furniture suffers some type of damage, you must contact a furniture restoration company to fix it. Do not attempt a DIY fix as it may only worsen the problem.

**"Need a part? Call TOV at 516-888-3355 or  
email [service@tovfurniture.com](mailto:service@tovfurniture.com)"**

## CARE & MAINTENANCE



Do not put hot items directly on furniture surface



Do not clean furniture with harsh cleansers or polish



Dust and wipe up spills using a clean, non-colored, lint-free cloth



Stains may be removed with a mild soap solution and a damp cloth



Do not place furniture under direct sunlight



Do not place furniture near heating or cooling vents



Do not write on furniture without a padded barrier to protect the surface



Do not place furniture outside, for indoor use only

**"Need a part? Call TOV at 516-888-3355 or  
email [service@tovfurniture.com](mailto:service@tovfurniture.com)"**