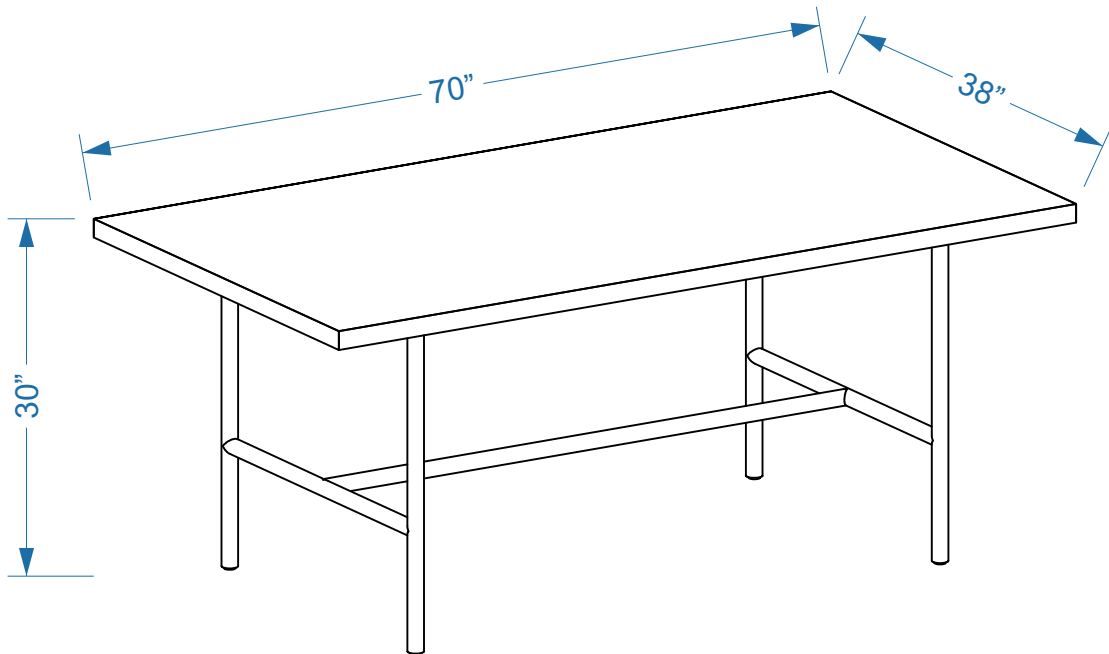


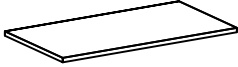
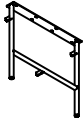
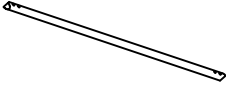
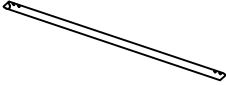
AMARI WOODEN DINING TABLE

AMARI


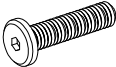
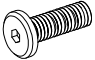

ASSEMBLY INSTRUCTIONS



PARTS LIST

LABEL	PICTURE	DESCRIPTION	QTY
A		TOP	1
B		LEG	2
C		METAL BAR	1
D		BRACING BAR	2

HARDWARE

LABEL	PICTURE	DESCRIPTION	QTY
E		WASHER Ø16xØ6x2mm	16
F		SCREW M6X20	16
G		SCREW M6X10	12
H		WRENCH M4X60	1

BEFORE BEGINNING ASSEMBLY:



Read instructions cover to cover



Have two adults on hand for assembly



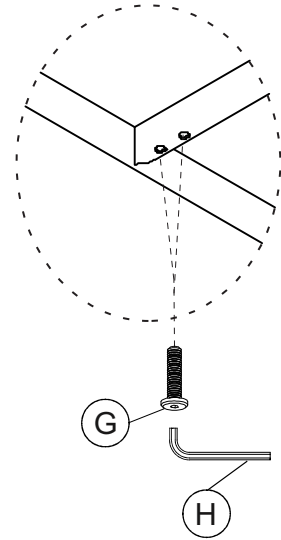
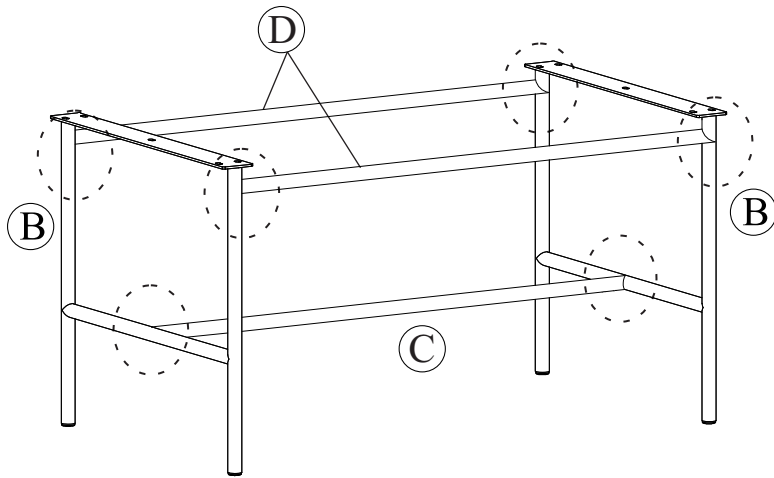
Do NOT assemble on flooring or carpet. Assemble on a clean non-marring surface (ex: packing foam)



Save all packaging until assembly is completed

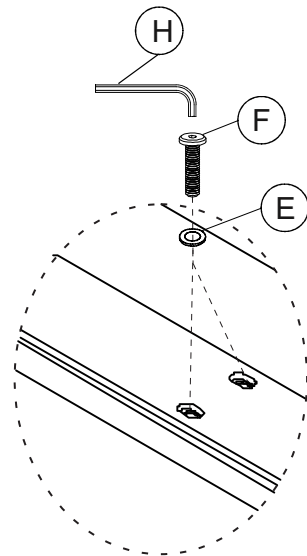
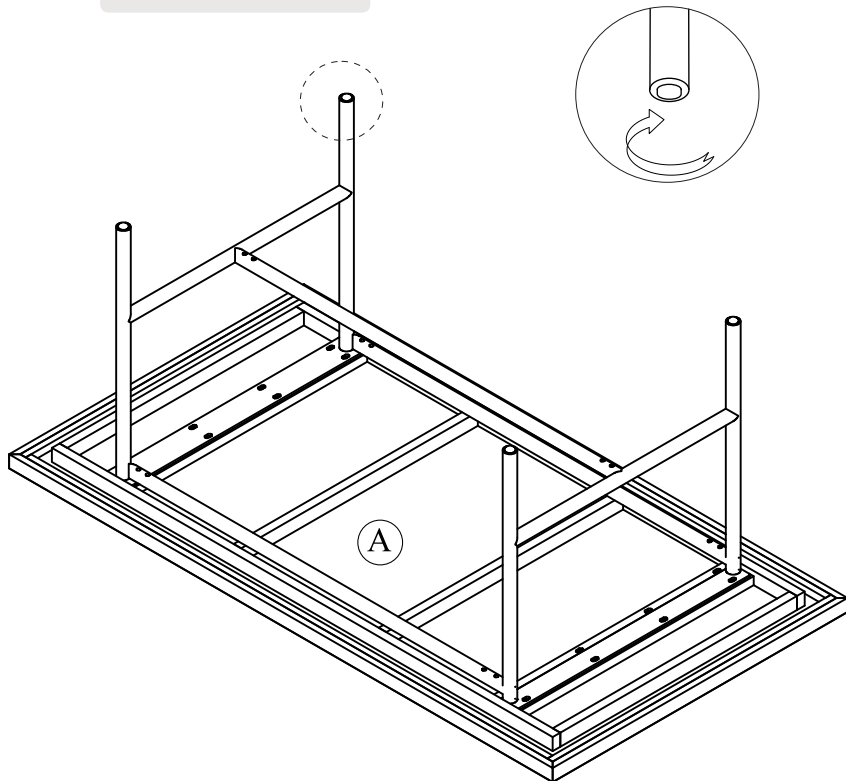
ASSEMBLY STEPS

STEP 1



STEP 2

Adjust leveler if case of need



CARE & MAINTENANCE



Do not put hot items directly on furniture surface.



Do not clean furniture with harsh cleansers or polish.



Dust and wipe up spills using a clean, non-colored, lint-free cloth.



Stains may be removed with mild soap solution and a damp cloth.



Do not place furniture under direct sunlight.



Do not place furniture near heating or cooling vents.



Do not write on furniture without a padded barrier to protect the surface.



Do not place furniture outside, for indoor use only.