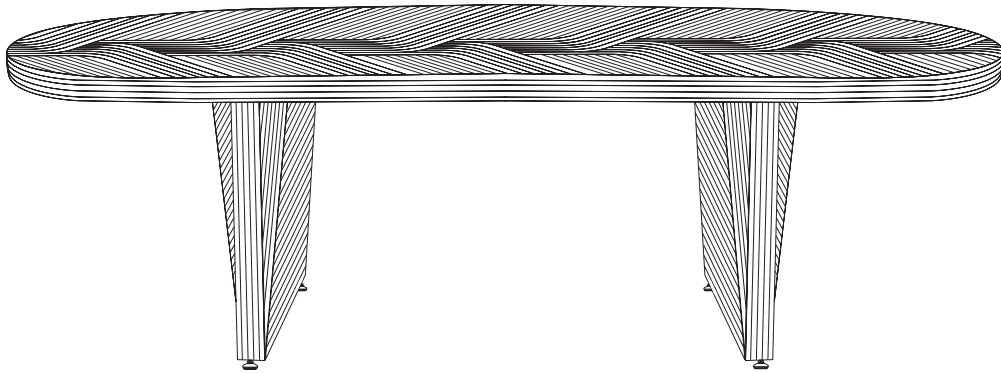







CAREN DINING TABLE

CAREN







ASSEMBLY INSTRUCTIONS







PARTS LIST

LABEL	PICTURE	DESCRIPTION	QTY
A		TABLE TOP	1
B		RIGHT LEG	1
C		LEFT LEG	1
D		SUPPORT BAR	1
E		GLASS TOP 10 MM	1

HARDWARE

LABEL	PICTURE	DESCRIPTION	QTY
F		WASHER	17
G		SCREW M6 X 50	14
H		SCREW M6 X 100	3
I		WRENCH M4 x 60	1
J		GLASS TOP BUMPERS	17
K		ADJUSTABLE LEVELER	4

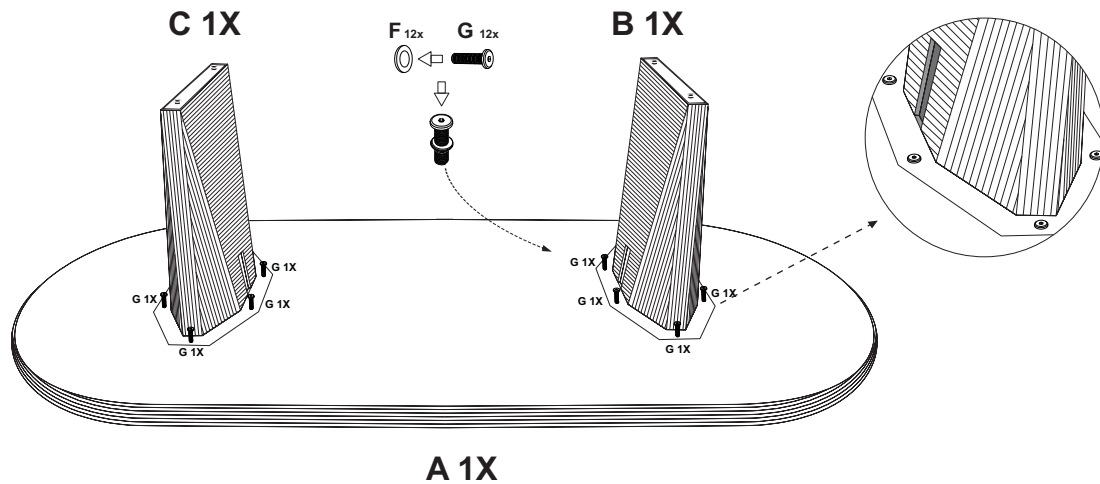
BEFORE BEGINNING ASSEMBLY :

-  *Read instructions cover to cover*
-  *Have two adults on hand for assembly*
-  *Do NOT assemble on flooring or carpet. Assemble on a clean non-marring surface (ex: packing foam)*
-  *Save all packaging until assembly is completed*

ASSEMBLY STEPS

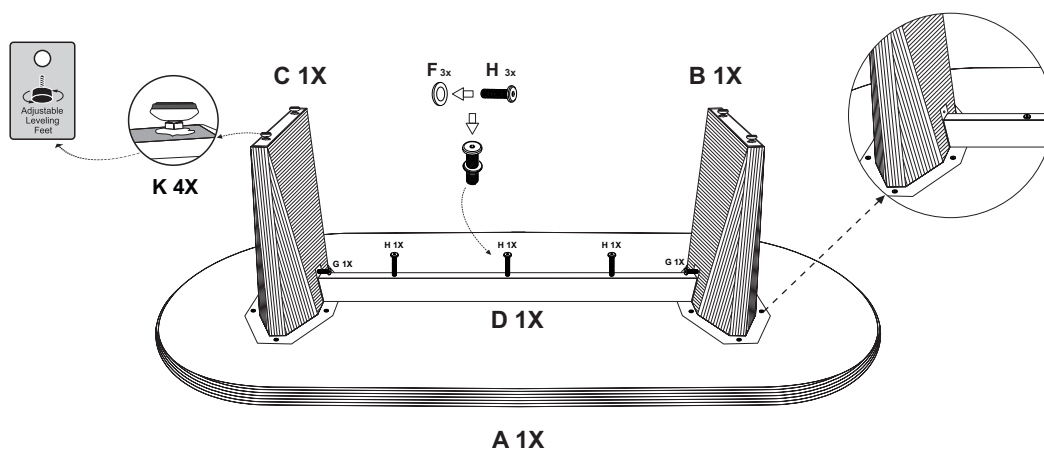
STEP 1

1) Attach the right leg (B) and left leg (C) to the tabletop (A).
Secure them with the hardware (F) and (G) by wrench (I) as illustrated.



STEP 2

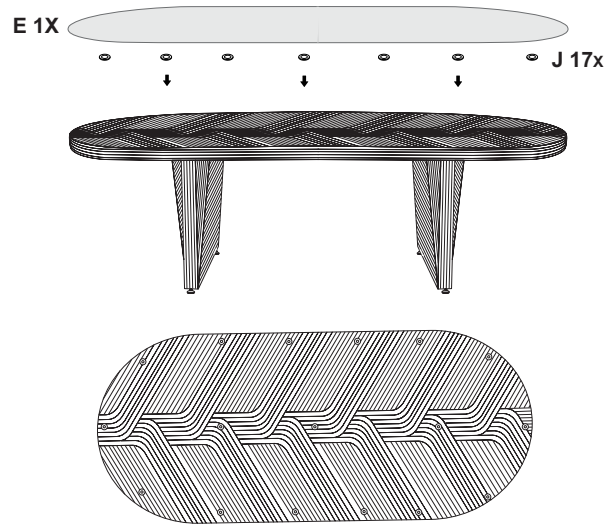
2) Install the support bar (D) as shown, and secure it with the hardware (H) and (F) and wrench (I) as illustrated. Install the adjustable levelers (K) at the bottom of legs as shown.



ASSEMBLY STEPS

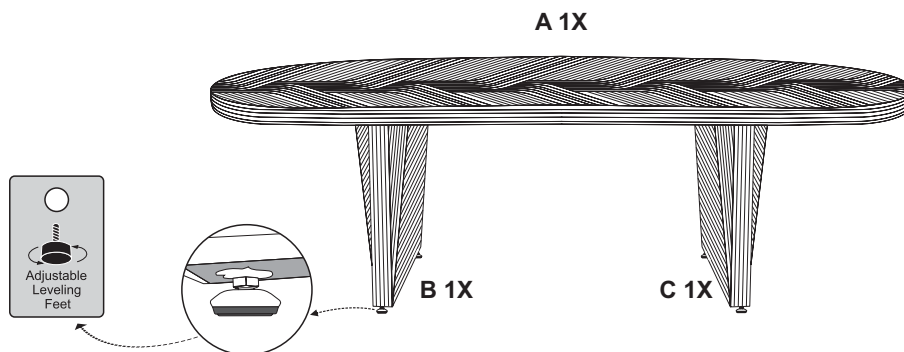
STEP 3

3.) Lay the glass top bumpers (J) on the table top as shown, place the glass top on (E) with care.



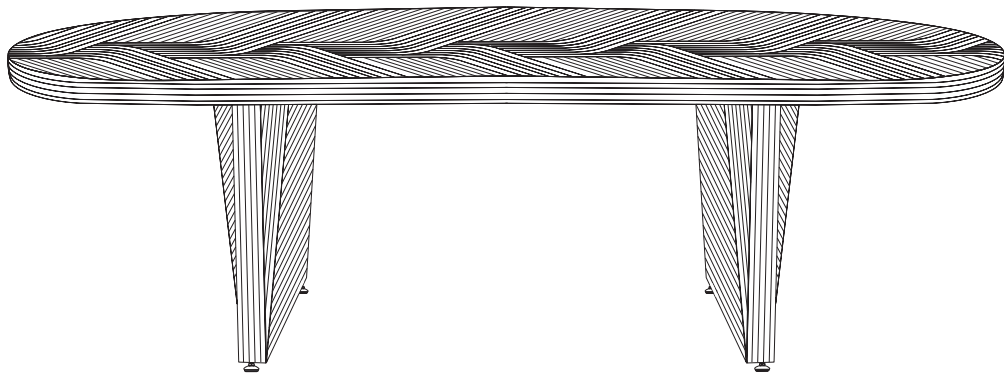
STEP 4

4.) Adjust the levelers as needed to ensure the table stability.



———— **Finished assembly** ————

COMPLETE



CARE & MAINTENANCE



Do not put hot items directly on furniture surface.



Do not clean furniture with harsh cleansers or polish



Dust and wipe up spills using a clean, non-colored, lint-free cloth.



Stains may be removed with a mild soap solution and a damp cloth.



Do not place furniture under direct sunlight.



Do not place furniture near heating or cooling vents.



Do not write on furniture without a padded barrier to protect the surface.



Do not place furniture outside, for indoor use only.

**"Need a part? Call TOV at 516-888-3355 or
email service@tovfurniture.com"**