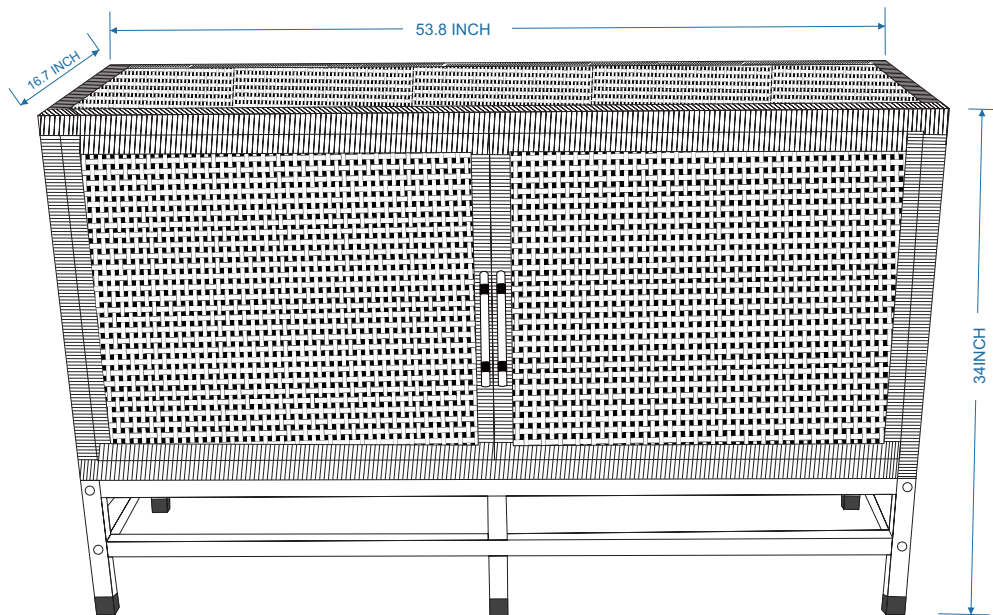



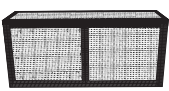


AMARA WOVEN RATTAN BUFFET


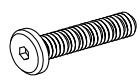



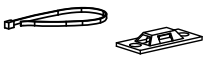
AMARA WOVEN RATTAN BUFFET ASSEMBLY INSTRUCTIONS



PARTS LIST

LABEL	PICTURE	DESCRIPTION	QTY
A		FRONT LEGS AND BACK LEGS	2 PCS
B		TOP SIDE BAR	2 PCS
C		BOTTOM SIDE BAR	2 PCS
D		BUFFET	1 PCS

HARDWARE

LABEL	PICTURE	DESCRIPTION	QTY
E		WASHER	20 PCS
F		SCREW M6 X 50	20 PCS
G		WRENCH	1 PCS
H		HANDLE	2 PCS
I		HOLE COVER	8 PCS
J		TIPPING RESTRAINT	2 PCS

BEFORE BEGINNING ASSEMBLY:



Read instructions cover to cover



Have two adults on hand for assembly



Do NOT assemble on flooring or carpet. Assemble on a clean non-marring surface (ex: packing foam)

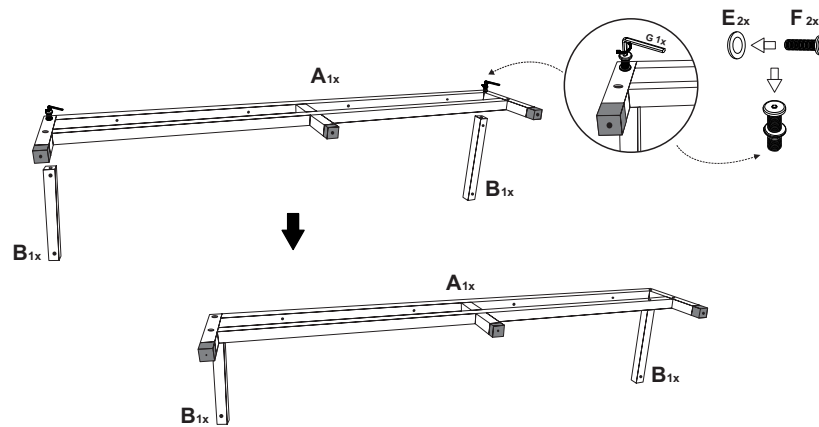


Save all packaging until assembly is completed

ASSEMBLY STEPS

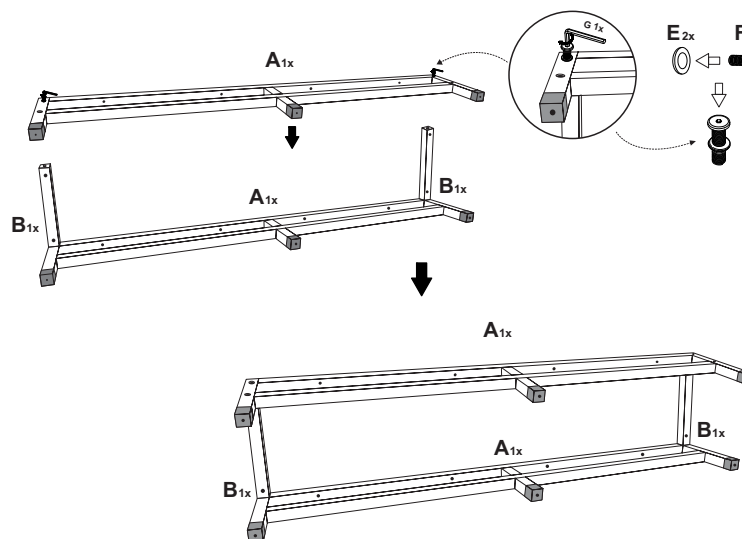
STEP 1

1.) Attach the top side bar (B) to the leg (A) with the hardware (E) and (F)



STEP 2

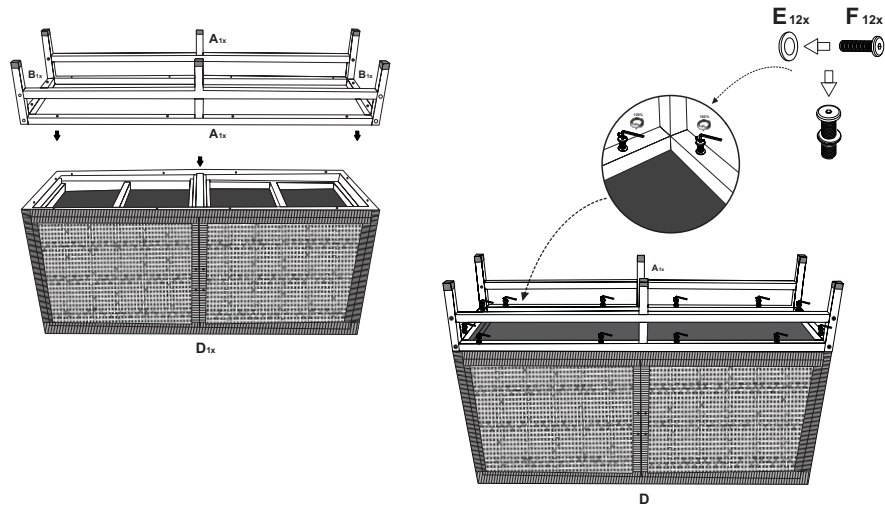
2.) Repeat this process with the other leg



ASSEMBLY STEPS

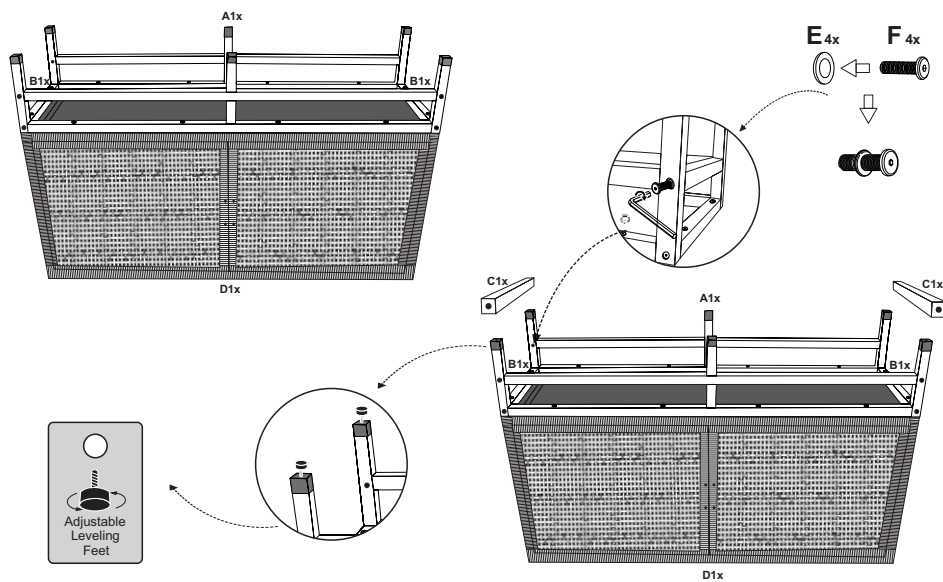
STEP 3

3.) Position the product with care, fasten the leg to the buffet as shown.



STEP 4

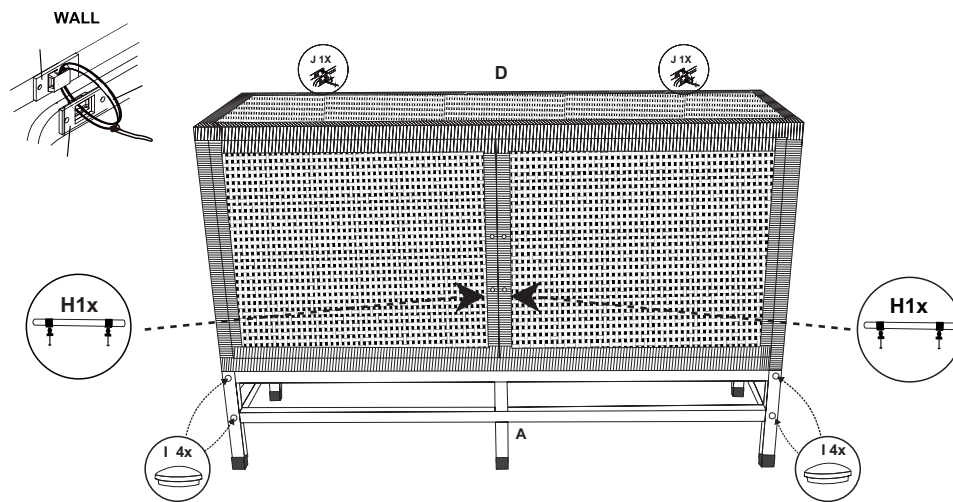
4.) Attached the bottom side bar (C) to the leg frame and secure with hardware (E) and (F)



ASSEMBLY STEPS

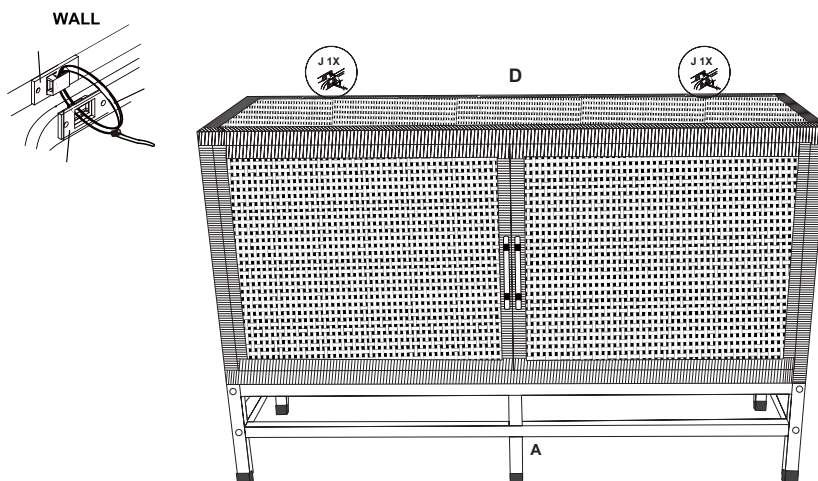
STEP 5

5) Remove the handles from the hardware box and install the handles on the door as shown.



STEP 6

6.) Ensure the legs are leveled, then fully tighten the hardware.



CARE & MAINTENANCE



Do not put hot items directly on furniture surface.



Do not clean furniture with harsh cleansers or polish

Dust and wipe up spills using a clean, non-colored, lint-free cloth.

Stains may be removed with a mild soap solution and a damp cloth.



Do not place furniture under direct sunlight.

Do not place furniture near heating or cooling vents.

Do not write on furniture without a padded barrier to protect the surface.

Do not place furniture outside, for indoor use only.

**"Need a part? Call TOV at 516-888-3355 or
email service@tovfurniture.com"**