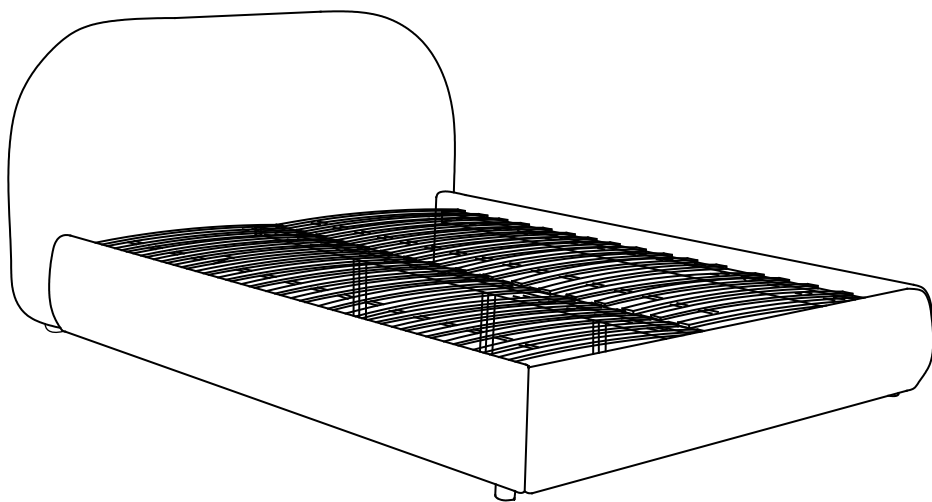





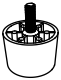
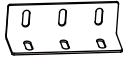



BARA BED

BARA


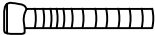


Assembly Instructions



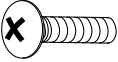
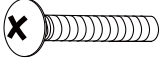

PARTS LIST

LABEL	PICTURE	DESCRIPTION	QTY
A		Head board	1
B		Side board	2
C		Foot board	1
D		Leg	4
E		Iron Plate	4
F		Center Support Bar	1
G		Mid Leg	1
H		Bed Slat	2

HARDWARE

LABEL	PICTURE	DESCRIPTION	QTY
1		Metal Gasket	24
2		Screw M6x30	24
3		Wrench	1
4		Spring Washer	24

HARDWARE

LABEL	PICTURE	DESCRIPTION	QTY
5		Screw M6x30	8
6		Screw M6x50	3
7		Screwdriver	1

BEFORE BEGINNING ASSEMBLY:



Read instructions cover to cover



Have two adults on hand for assembly



Do NOT assemble on flooring or carpet. Assemble on a clean non-marring surface (ex: packing foam)

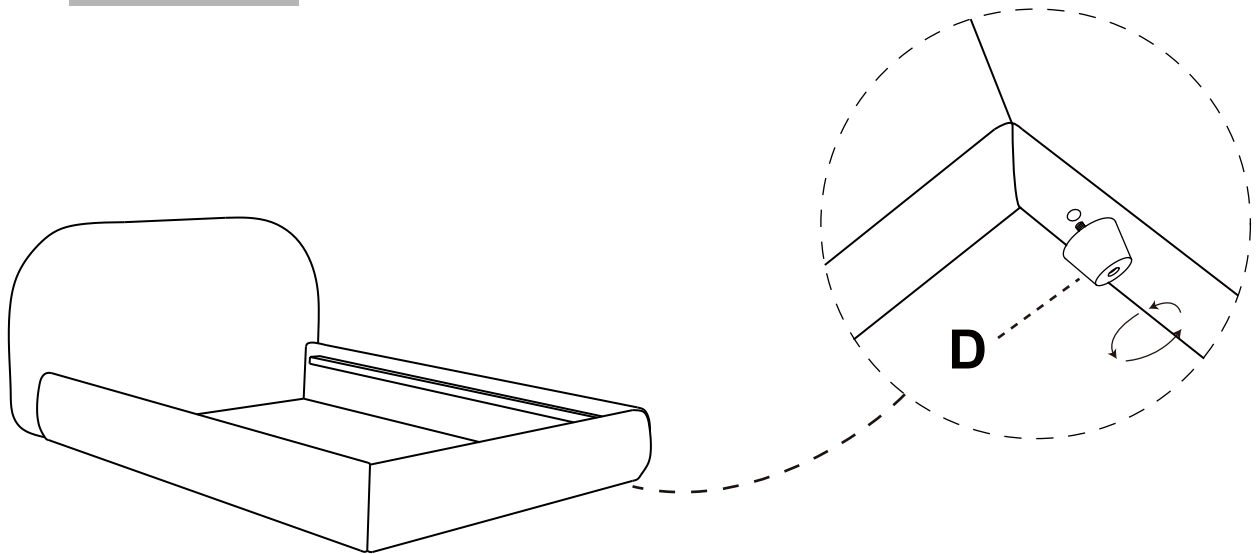


Save all packaging until assembly is completed

Need a part? Call TOV at 516-888-3355 or email service@tovfurniture.com

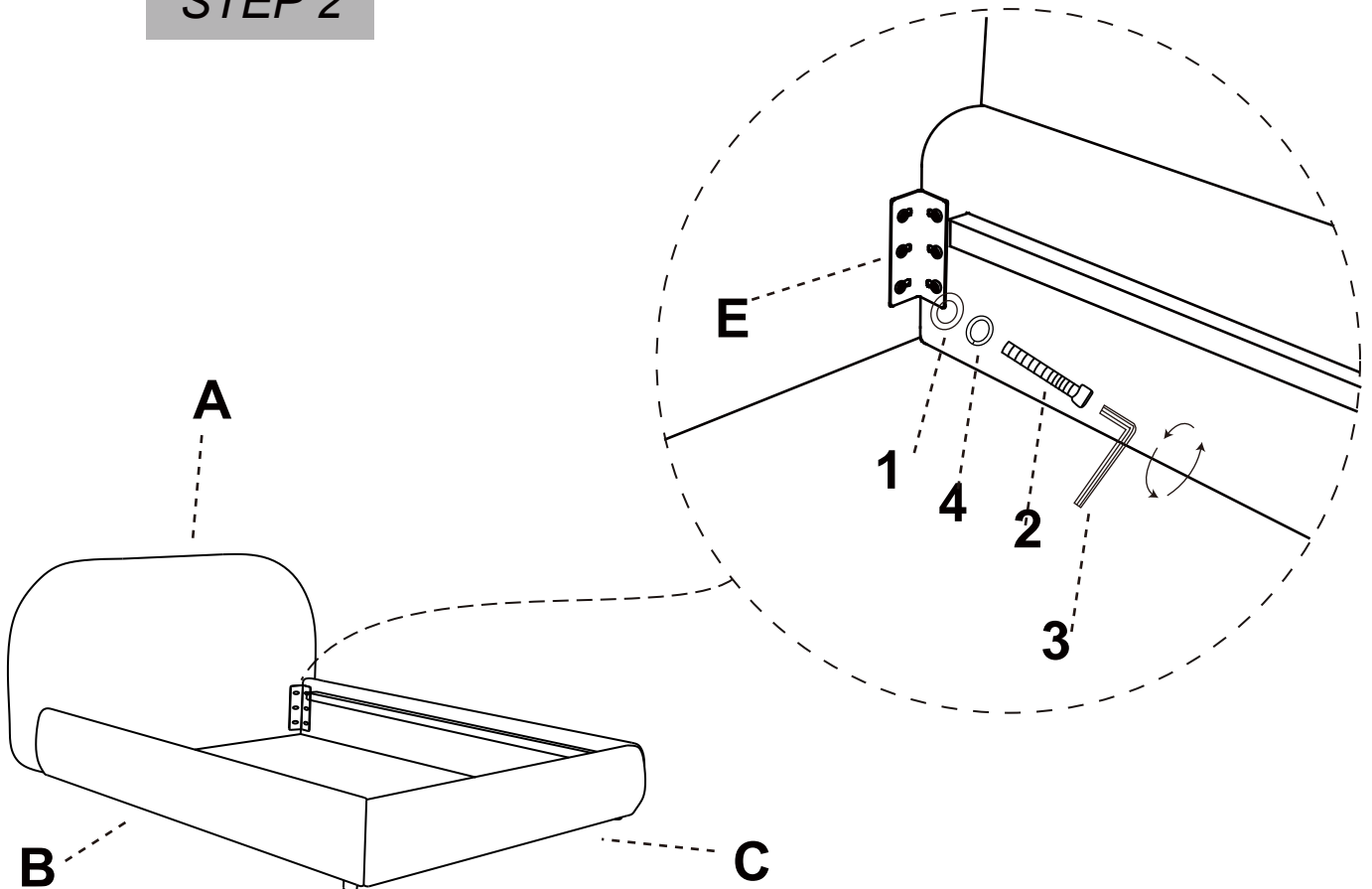
ASSEMBLY STEPS

STEP 1



> Simply screw the legs into the pre-drilled holes as illustrated.

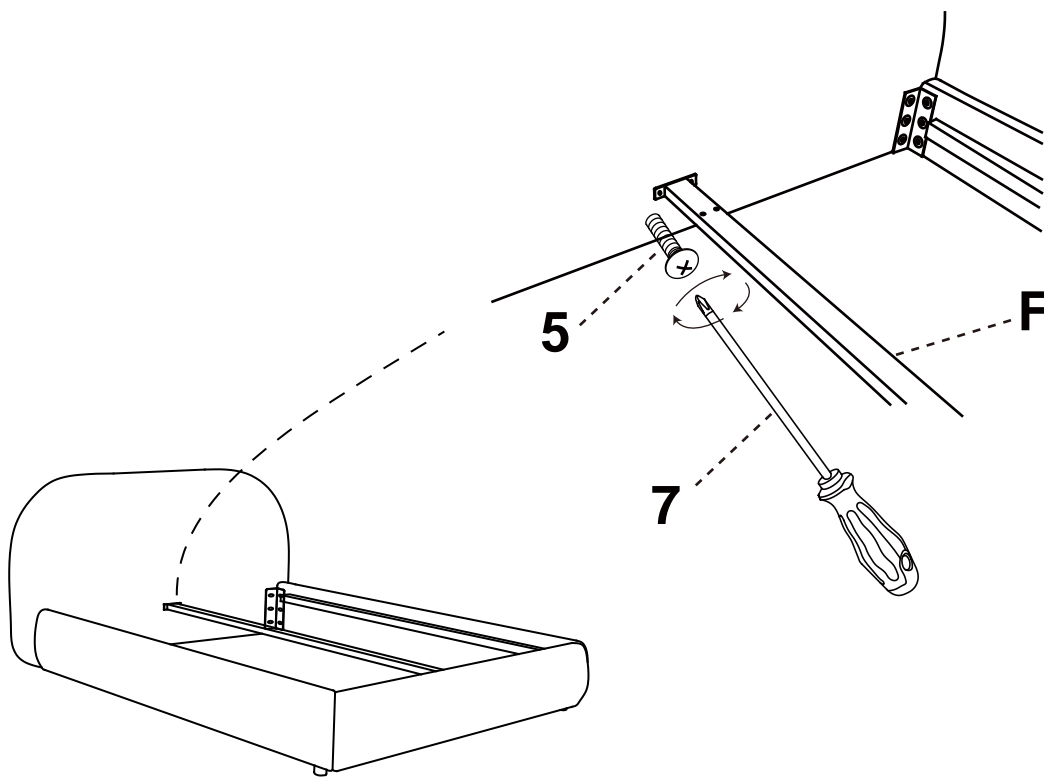
STEP 2



> Using the included hardware, assemble the bed frame as shown.

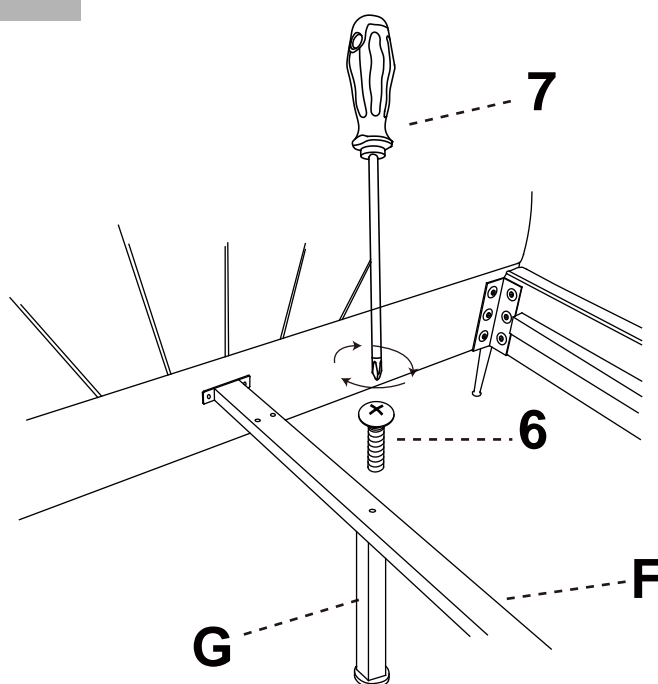
ASSEMBLY STEPS

STEP 3



> Attach the center support bar as shown.

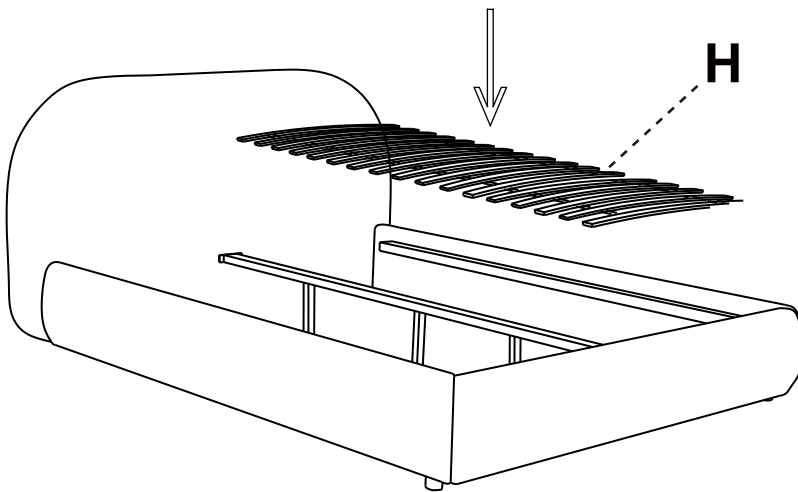
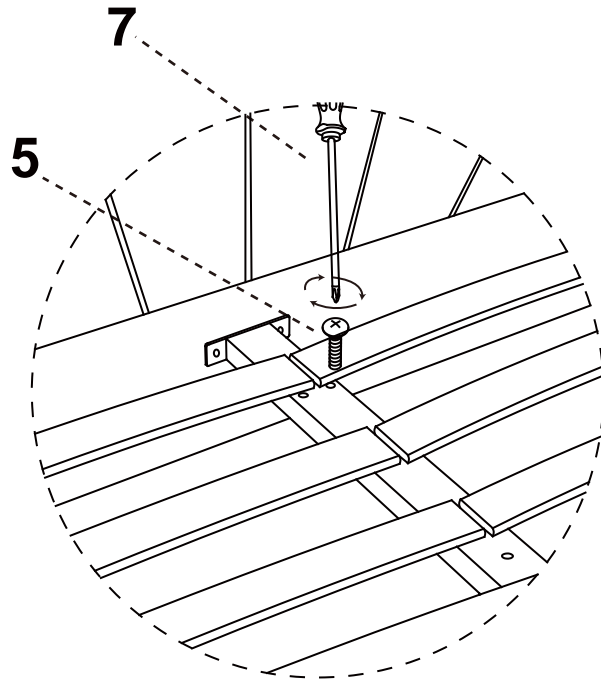
STEP 4



> Attach the middle legs as shown.

ASSEMBLY STEPS

STEP 5



>Screw the bolts (1) into the pre-drilled holes on the support bar to secure the slats in place.

CARE & MAINTENANCE



Do not put hot items directly on furniture surface.



Do not clean furniture with harsh cleansers or polish.



Dust and wipe up spills using a clean, non-colored, lint-free cloth.



Stains may be removed with mild soap solution and a damp cloth



Do not place furniture under direct sunlight.



Do not place furniture near heating or cooling vents.



Do not write on furniture without a padded barrier to protect the surface.



Do not place furniture outside, for indoor use only.