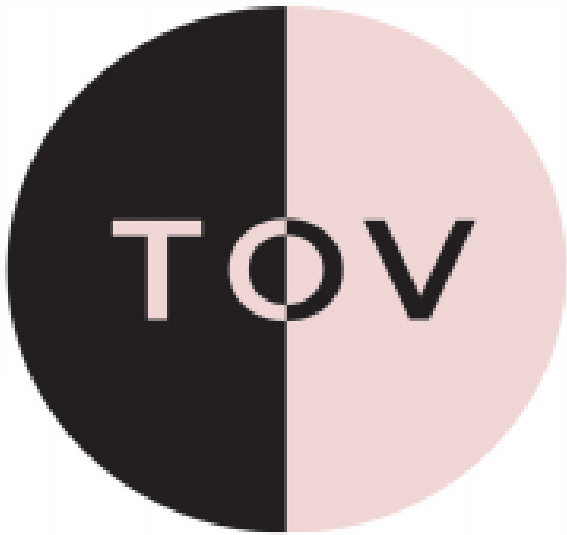
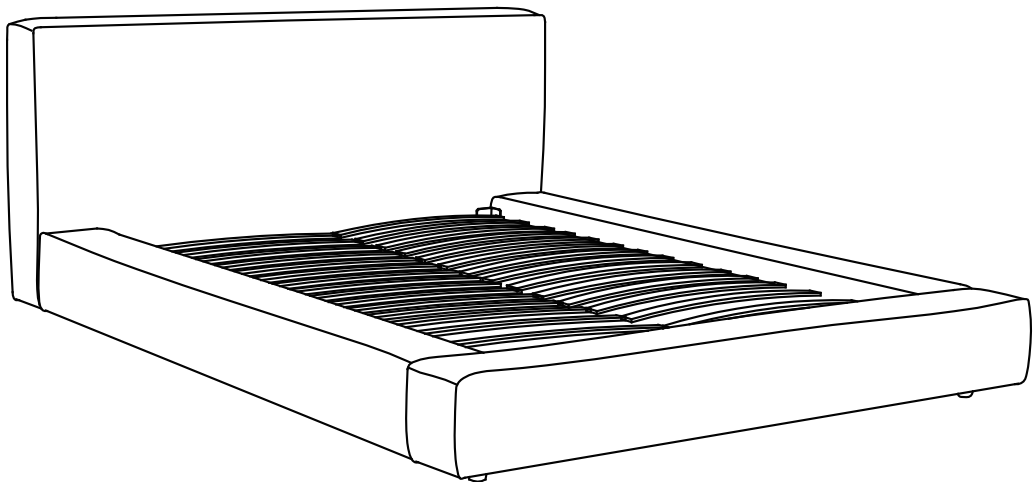


OLAFUR BED


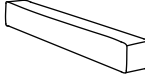

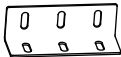


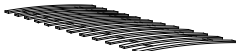



OLAFUR





Assembly Instructions



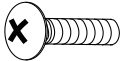
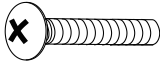

PARTS LIST

LABEL	PICTURE	DESCRIPTION	QTY
A		Headboard	1
B		Sideboard	2
C		Footboard	1
D		Iron Plate	4
E		Center Support Bar	1
F		Mid Leg	3
G		Bed Slat	2
H		Leg	8

HARDWARE

LABEL	PICTURE	DESCRIPTION	QTY
a		Metal Gasket	24
b		Screw M8x30	24
c		Spring Washer	24
d		Wrench	1

HARDWARE

LABEL	PICTURE	DESCRIPTION	QTY
1		Screw M8x30	12
2		Screw M8x50	3
3		Screwdriver	1

BEFORE BEGINNING ASSEMBLY:



Read instructions cover to cover



Have two adults on hand for assembly



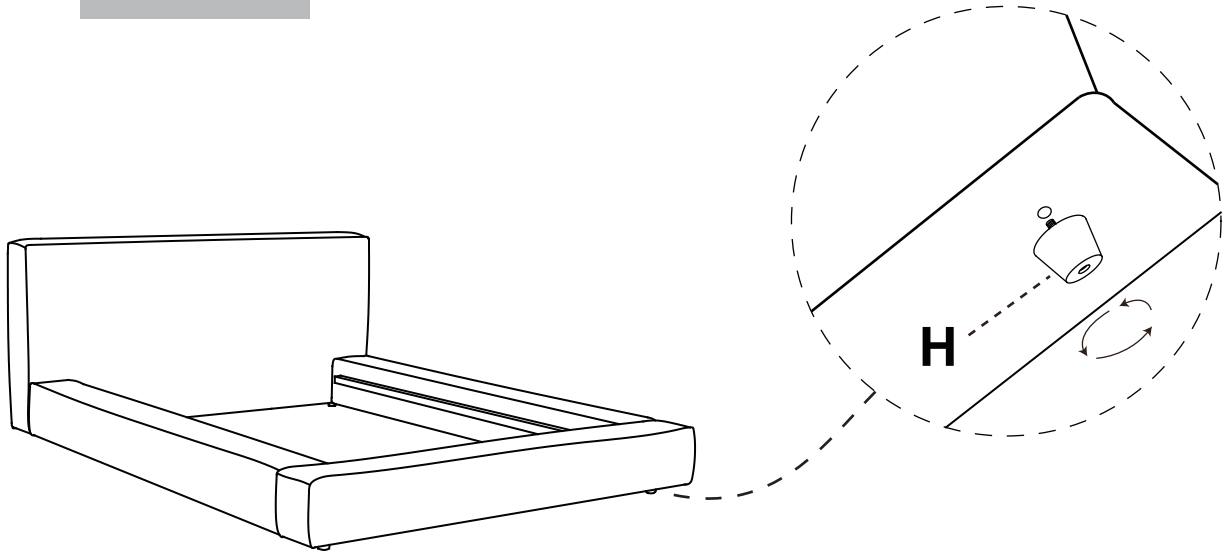
Do NOT assemble on flooring or carpet. Assemble on a clean non-marring surface (ex: packing foam)



Save all packaging until assembly is completed

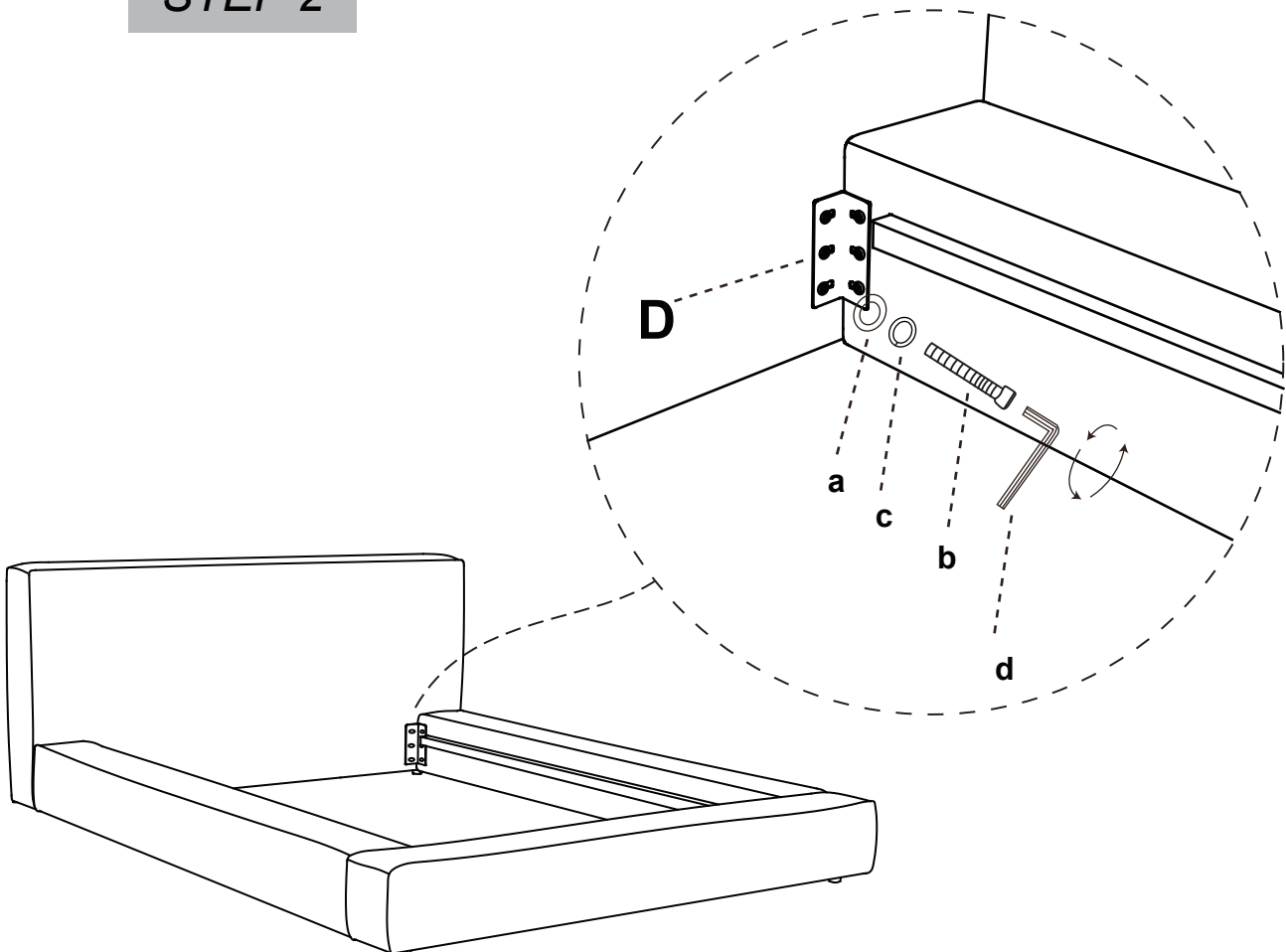
ASSEMBLY STEPS

STEP 1



> Simply screw the legs into the pre-drilled holes as illustrated.

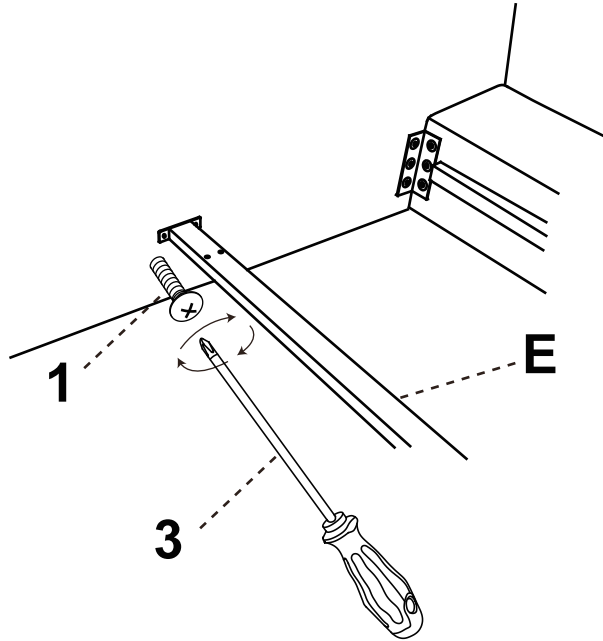
STEP 2



>Using the included hardware, assemble the bed frame as shown.

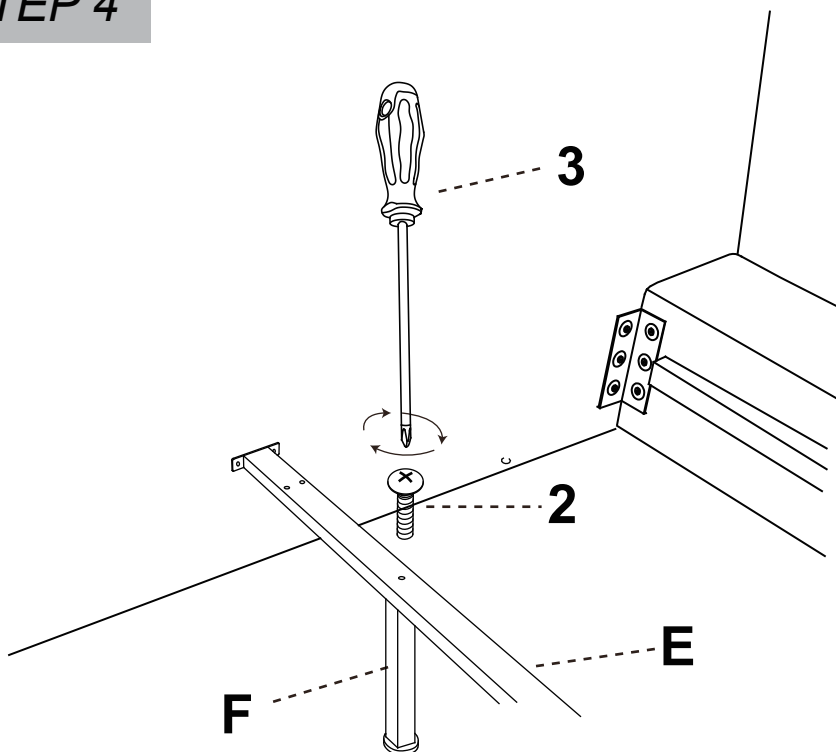
ASSEMBLY STEPS

STEP 3



> Attach the center support bar as shown.

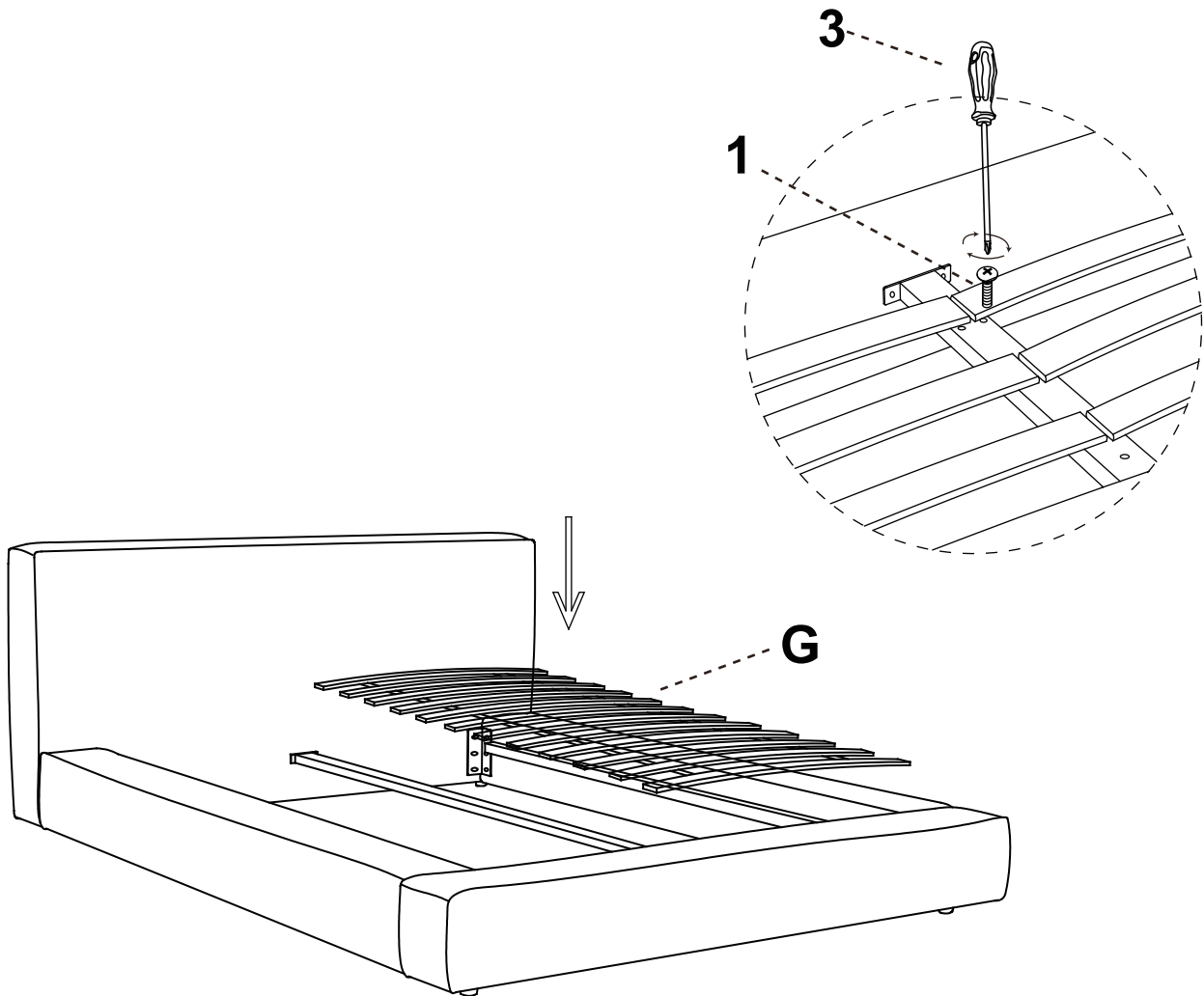
STEP 4



> Attach the middle legs as shown.

ASSEMBLY STEPS

STEP 5



>Screw the bolts (1) into the pre-drilled holes on the support bar to secure the slats in place.

CARE & MAINTENANCE



Do not put hot items directly on furniture surface.



Do not clean furniture with harsh cleansers or polish.



Dust and wipe up spills using a clean, non-colored, lint-free cloth.



Stains may be removed with mild soap solution and a damp cloth



Do not place furniture under direct sunlight.



Do not place furniture near heating or cooling vents.



Do not write on furniture without a padded barrier to protect the surface.



Do not place furniture outside, for indoor use only.