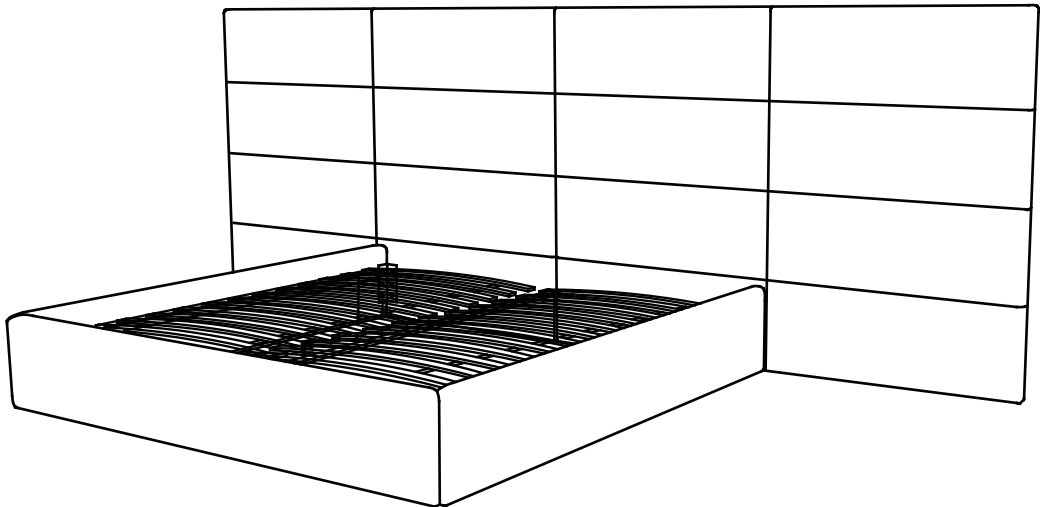





Eliana




Assembly Instructions



PARTS LIST

LABEL	PICTURE	DESCRIPTION	QTY
A		Bed	1
B		Headboard Wings	2
C		Iron Plate	4

HARDWARE

LABEL	PICTURE	DESCRIPTION	QTY
a		Metal Gasket	16
b		Screw M8x30	16
c		Wrench	1

BEFORE BEGINNING ASSEMBLY:



Read instructions cover to cover



Have two adults on hand for assembly



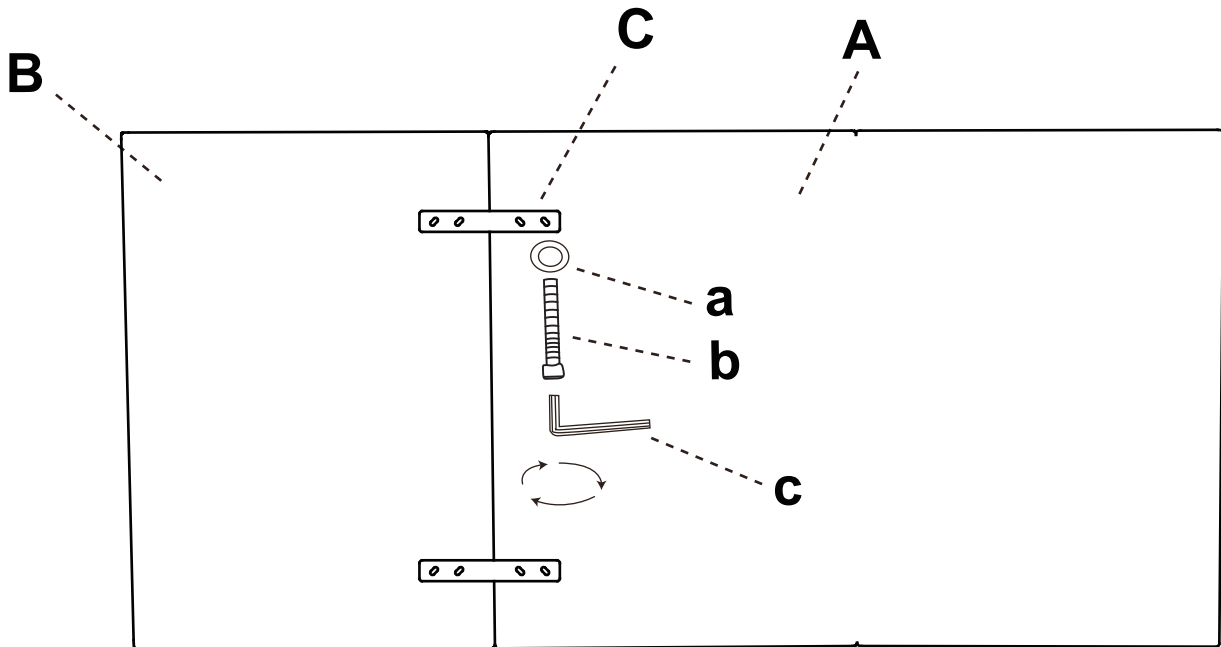
Do NOT assemble on flooring or carpet. Assemble on a clean non-marring surface (ex: packing foam)



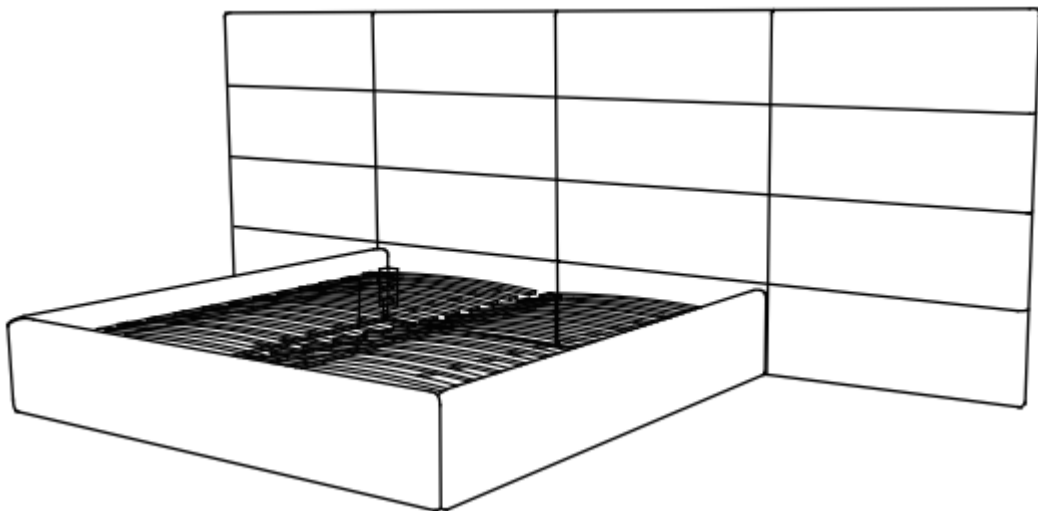
Save all packaging until assembly is completed

ASSEMBLY STEPS

STEP 1



Back side



> Using the included hardware, attach the iron plate to the headboard and wing as shown.

CARE & MAINTENANCE



Do not put hot items directly on furniture surface.



Do not clean furniture with harsh cleansers or polish.



Dust and wipe up spills using a clean, non-colored, lint-free cloth.



Stains may be removed with mild soap solution and a damp cloth



Do not place furniture under direct sunlight.



Do not place furniture near heating or cooling vents.



Do not write on furniture without a padded barrier to protect the surface.



Do not place furniture outside, for indoor use only.